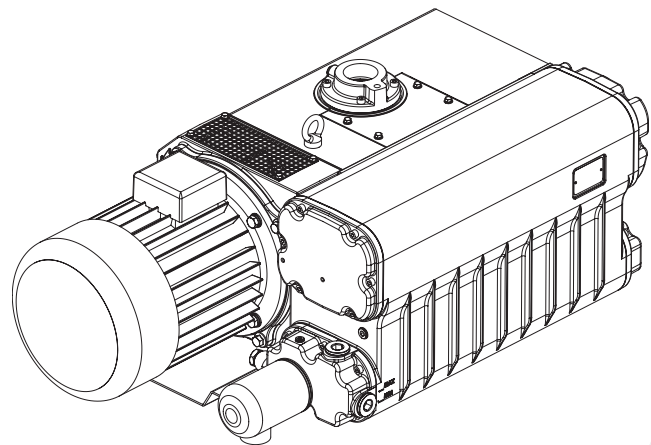


**EU 205 - EU 205/B**  
**EU 300 - EU 300/B**  
*Lubricated vane  
vacuum pump*



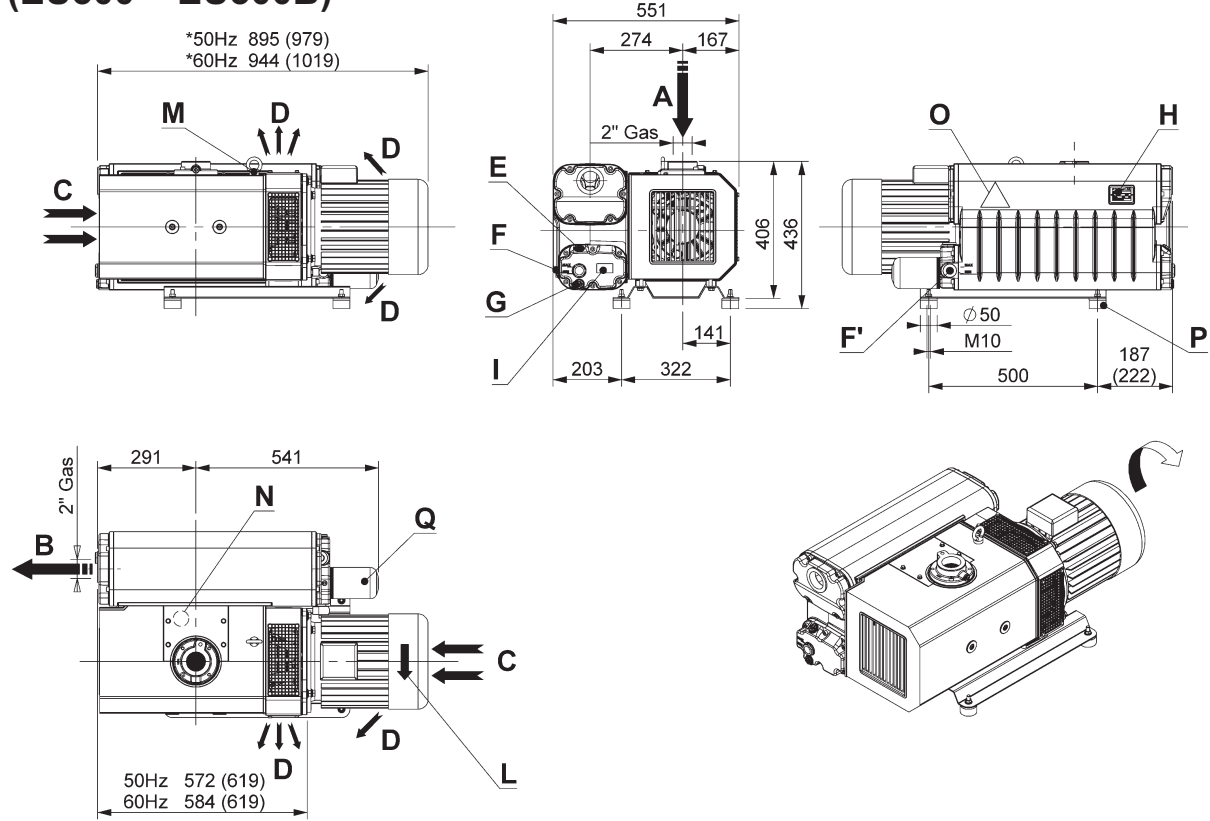
***Technical data  
and parts lists***

Publication Number:  
**RDT 1581.02 December 2017**

# Technical data and parts lists

## ENG

### EU205 – EU205/B (EU300 – EU300B)



\*Misure soggette a variazioni in funzione della marca del motore  
 \*Dimensions subject to changes depending on the motor brand  
 \*Données sujettes aux variations en fonction de la marque du moteur  
 \*Die Maße können aufgrund von Motorzeichen ändern  
 \*Medidas sujetas a variación en función de la marca del motor

	I	GB	F	D	E
<b>A</b>	Aspirazione	Inlet	Aspiration	Einlass	Aspiración
<b>B</b>	Scarico aria	Exhaust	Sortie de l'air	Luftauslass	Salida de aire
<b>C</b>	Entrata aria raffreddamento	Cooling air inlet	Entrée air refroidissement	Kühlluftseintritt	Entrada aire refrigeración
<b>D</b>	Uscita aria raffreddamento	Cooling air outlet	Sortie air refroidissement	Kühlluftaustritt	Salida aire refrigeración
<b>E</b>	Tappo carico olio	Oil filling plug	Bouchon remplissage huile	Öleinfüllschraube	Tapón carga de aceite
<b>F-F'</b>	Spia livello olio	Oil level sight glass	Voyant niveau huile	Ölschauglas	Mirilla aceite
<b>G</b>	Tappo scarico olio	Oil drain plug	Bouchon vidange huile	Ölablass-Schraube	Tapón vaciado de aceite
<b>H</b>	Targhetta identificazione	Pump name plate	Plaquette d'identification	Maschinenschild	Placa de identificación
<b>I</b>	Targhetta oli	Oil grade label	Plaquette huiles	Ölempfehlungsschild	Placa tipos de aceites
<b>L</b>	Targhetta rotazione	Rotation plate	Plaquette rotation	Drehungsschild	Placa sentido de giro
<b>M</b>	Golfaro di sollevamento	Lifting eyebolt	Anneau de levage	Aufhebenöschraube	Gancho de levantamiento
<b>N</b>	Zavorratore	Gas ballast valve	Lest d'air	Gasballastventil	Valvula gas-ballast
<b>O</b>	Targhetta superfici calde	Hot surfaces name plate	Plaquette surfaces chaudes	Typenschild für warme Fläche	Placa superficies calientes
<b>P</b>	Antivibranti	Vibration damper	Pied antivibratoire	Schwingungsdämpfer	Antivibrante
<b>Q</b>	Filtro olio	Oil filter	Filtre huile	Ölfilter	Filtro de aceite

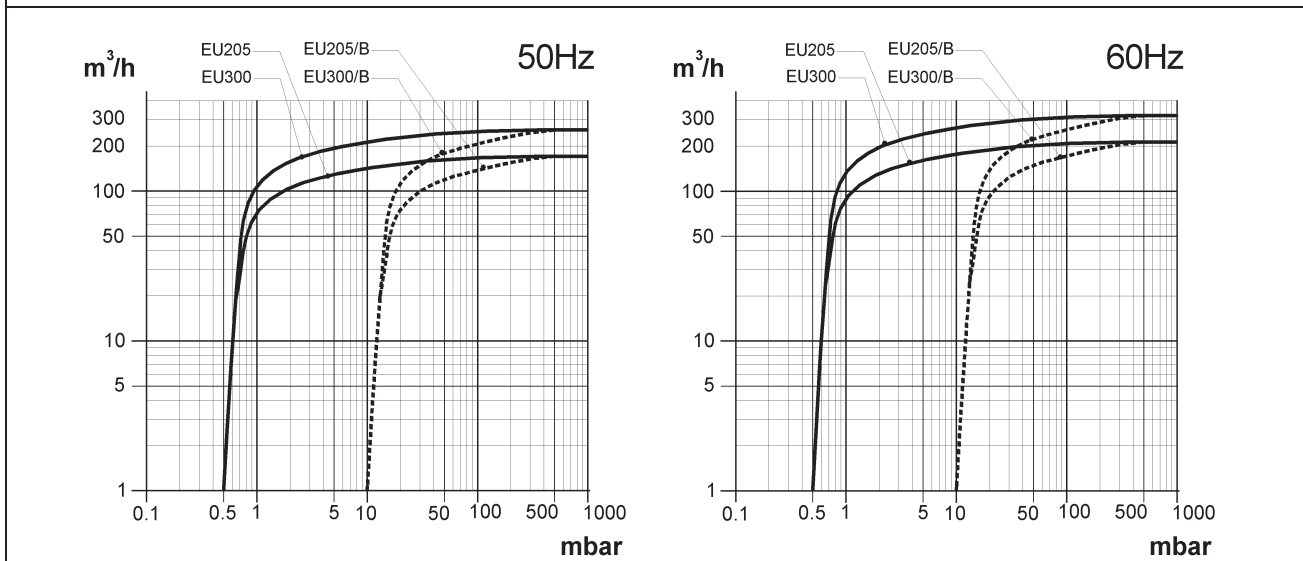
# Technical data and parts lists

## ENG

		EU205	EU205/B	EU300	EU300/B
Portata nominale* Nominal speed* Débit nominal* Nennsaugvermögen* Caudal nominal*	m <sup>3</sup> /h	50Hz	205		300
		60Hz	245		360
Pressione finale*(assoluta) Ultimate pressure* (abs.) Pression limite* (abs.) Enddruck* (abs.) Presión final* (abs.)	mbar	0.5	10	0.5	10
	Pascal	50	1000	50	1000
Potenza motore # / Numero di giri Motor power # / Rotational speed Puissance moteur # / Numéro de révolutions Motorleistung # / Drehzahl Potencia motor # / Velocidad de giro	kW	50Hz ~3	4		5,5
			1500		
	min <sup>-1</sup>	60Hz ~3	5,5		7,5
			1800		
Caratteristiche motore elettrico Electric motor characteristics Caractéristiques moteur électrique Motoreigenschaften Características motor eléctrico	50Hz ~3	IM B5 230/400 V±10%		IM B5 400/690 V±10%	
		60Hz ~3	IM B5 275/480 V±10%		IM B5 480/828 V±10%
Livello di pressione acustica Sound pressure level Niveau de pression acoustique Schalldruckpegel Nivel de presión acústica	dB(A) EN ISO 2151		50Hz	70	
		60Hz	72		73
Pressione max vapore H <sub>2</sub> O ammissibile Water vapour tolerance Pression de vapeur d'eau maximale admissible Wasserdampfverträglichkeit Presión máxima de vapor de agua admisible	mbar	30			
Quantità vapore H <sub>2</sub> O ammissibile Water vapour pumping capacity Capacité de pompage de la vapeur d'eau Wasserdampfkapazität Cantidad de vapor de agua admisible	kg/h	3,6		5	
Carica olio Oil capacity Charge d'huile Öfüllmenge Carga de aceite	l	7			
Peso totale / senza motore Total weight / Without motor Poids total / Sans moteur Gesamtgewicht / Gewicht ohne Motor Peso total / Sin motor	kg	50Hz	161 / 126		188 / 141
		60Hz	171 / 126		192 / 141

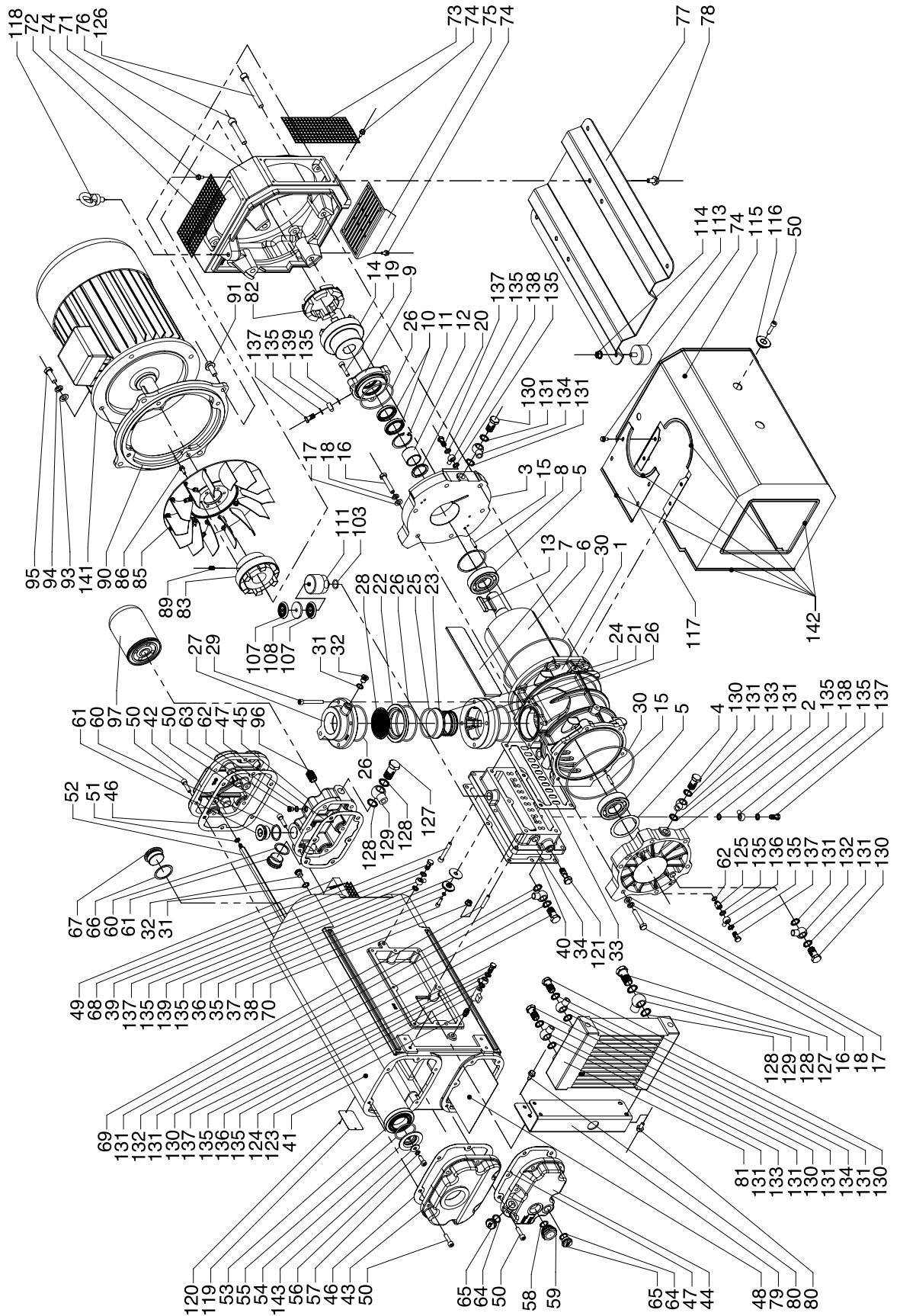
\*Secondo accordi PNEUROP 6602.  
\*According to Pneurop standard 6602.  
\*Selon la norme Pneurop 6602  
\*Nach der Pneurop Norm 6602..  
\*Según la normativa Pneurop 6602.

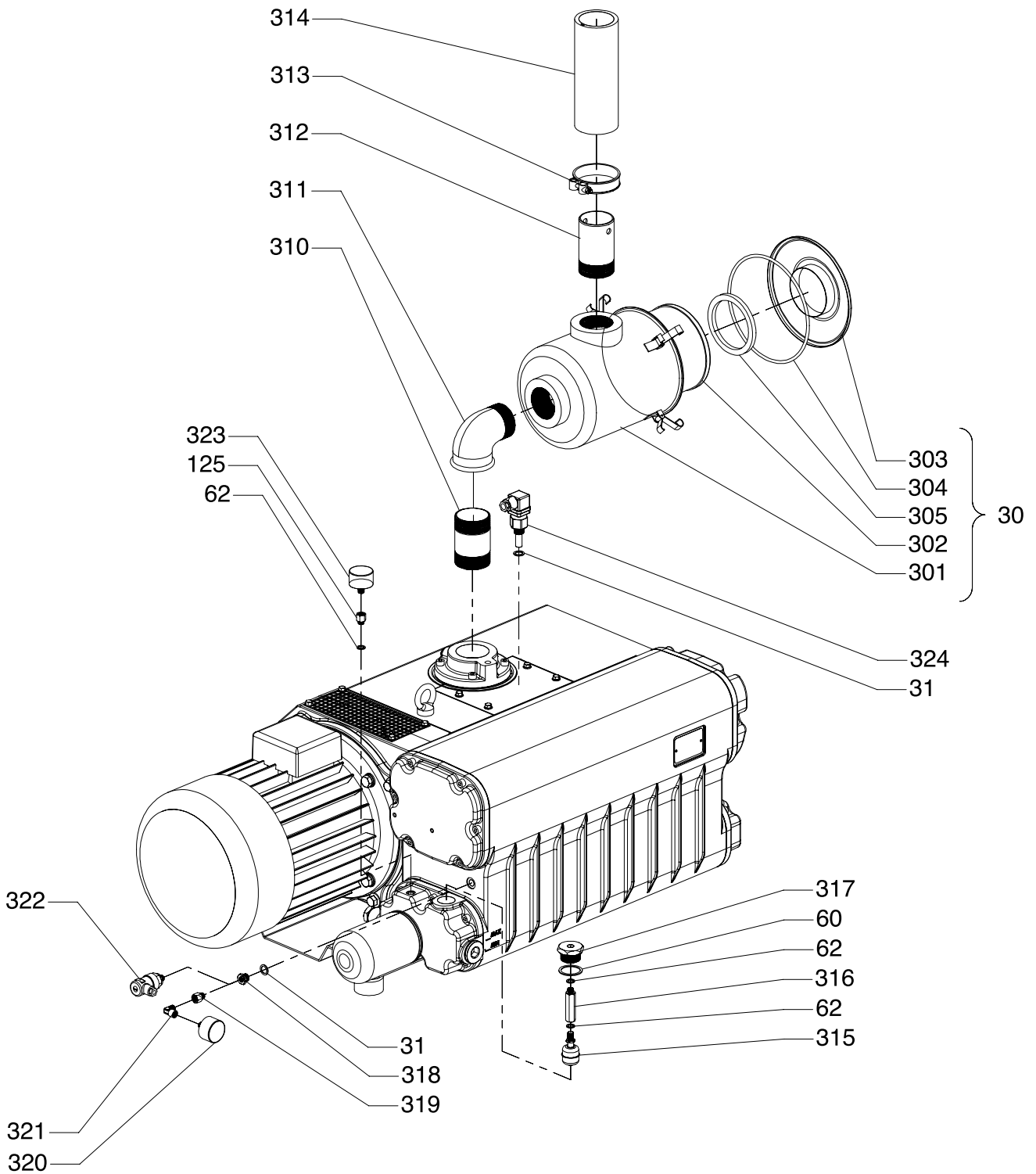
#Valido per temperature fino a 40°C e altitudini inferiori a 1000 m.  
#Valid for temperatures up to 40°C and altitudes lower than 1000 m.  
#Valable pour températures jusqu'à 40°C et pour altitudes inférieures à 1000 m.  
#Gültig für Temperaturen bis 40°C und für Höhen weniger als 1000 m.  
#Válido para temperaturas hasta 40°C v altitudes inferiores a 1000 m.



# Technical data and parts lists

## ENG





# Technical data and parts lists

## ENG

POS.		DESCRIPTION	Q.TA'	
			EU205	EU300
1		Body of pump		1
2		External side cover		1
3		Motor side cover		1
4		63x80 Space washer		1
5		6307 Bearing		2
6		Rotor		1
7		Vane		3
8		Shim ring		1
9		Oil seal ring		1
10	G	BABSL 40x52x7 Seal ring		2
11		I53 Seeger		1
12		IR 35X430X30 Ring		1
13		10x8x50 Key		1
14		Pump side coupling half		1
15		6x30 Pin		4
16		M10x55 Hex. Screw		11
17		ø10 Washer		11
18		ø10 Lock washer		11
19		M8x35 Hex. Socket head screw		3
20		ø35/45x3Spacer		1
21		Inlet valve body		1
22		Inlet valve disk		1
23		Inlet valve plate		1
24		Helicoidal spring		1
25	G	O Ring 173		1
26	G	O Ring 4337		4
27		2"G Inlet flange		1
28		Inlet filtering baffle		1
29		M8x65Hex. Socket head screw		4
30	G	O Ring 4725		2
31		1/4"G Al washer		2
32		1/4" Al Hex. Socket head plug		2
33	G	Body of pump-spacer gasket		1
34		Pump-tank spacer		1
35		Support valve disk	4	5
36	G	ø36/10x2 Rubber disk	4	5
37		ø6 Lock washer	4	5
38		M6x20 Hex. Socket head screw	4	5
39		M8x55 Hex. Socket head screw		6
40	G	Spacer-tank gasket		1
41		Tank		1
42		Motor side upper tank cover		1
43		External side upper tank cover		1
44		External side lower tank cover		1
45		Motor side lower tank cover		1
46	G	Gasket for upper tank covers		2
47	G	Gasket for lower tank covers		2
48		Tank micro-stretched sheet		1
49		192X122X20 tank demister		1
50		M8x30 Hex. Socket head screw		26
51		Ø8 Lock washer	2	3
52		Stay bolt for exhaust filter	2	3
53	R	Exhaust filter	2	3
54		Disk for exhaust filter	2	3
55	G	O Ring 4200	4	6
56		ø8.4/13x1 Al washer	2	3
57		M8x20 Hex. Socket head screw	2	3
58		1"G Fibre washer		1
59		1"G Oil sight glass		1
60		1"G Al washer		2
61		1"G Hex. Socket head plug		2
62		1/8"G Al washer		2
63		1/8"G Hex. Socket head screw		1
64		1/2"G Fibre washer		2
65		1/2"G Filling-discharge plug		2
66		1" 1/4G Al washer	2	1
67		1" 1/4G Hex. Socket head screw plug	2	1
68		Demister-tank support mesh		1
69		M8x40 Hex. Socket Stud Bolt		8
70		M8 Nut (flanged and knurled)		8
71		Fan cover sleeve		1
72		Upper safety mesh		1
73		Frontal safety mesh		1
74		M6x12 Hex. Screw flanged and knurled		16
75		Lower safety mesh with air plate		1
76		M12x70 Hex. Socket head screw		3
77		Base-plate		1
78		M10x20 Hex. Screw flanged and knurled		4
79		Oil cooler support		1
80		M8x16 Hex. Screw flanged and knurled		8
81		Air/oil cooler		1

POS.		DESCRIPTION	Q.TA'	
			EU205	EU300
82	R	Elastic coupling insert		1
83		Motor side coupling half		1
85		ø280x73 Fan		1
86		M6x16 Hex. Screw flanged and knurled		6
89		M8x16 Hex. Socket Stud Bolt		1
90		Motor flange		1
91		M12x30 Hex. Screw flanged and knurled		4
93		Ø12-24 Washer th.=2.5		4
94		Ø12 Lock washer		4
95		M12x35 (M12x30) Hex. Screw	(4)	4
96		UNF 3/4"-16 Nipple		1
97	R	Oil filter		1
103	G	O Ring 3075		1
107		Micro-stretched sheet disk		2
108	R	ø42/8x4 Felt disk		1
111		½"G Gas ballast valve		1
113		ø50x30 M10x27 Vibration-damping foot		4
114		M10 Nut flanged and knurled		4
115		Casing		1
116		Disk (for casing)		2
117		Casing cover		1
118		M12 Eyebolt		1
119		Pump name plate		1
120		ø1.85x5 Rivet		2
121		1/4" screw with non return valve		1
123		A2 M-M 1/8"G ø2 reduced Nipple		1
124		F-F 1/8"G cock		1
125		A5/Z M-F 1/8"-1/8" Extension		1
126		M12x100 Hex. Socket head screw		1
127		Screw for 1/2"G fittings		2
128		1/2"G Cu Washer		4
129		Oil cooler inlet pipe		1
130		Screw for 3/8"G fittings		6
131		3/8"G Cu Washer		12
132		Gas ballast pipe		1
133		Oil pipe (external side)		1
134		Oil pipe (motor side)		1
135		1/8"G Cu Washer		12
136		Recovery pipe (/B)		1
137		Screw for 1/8"G fittings		6
138		Oil recovery pipe (standard)		1
139		Oil pipe (outlet seal rings)		1
141		Electric motor		1
142		Sheath		5
143		ø8/24 Washer	2	3
<b>OPTIONALS</b>				
31		1/4"G Al washer		2
60		1"G Al washer		1
62		1/8"G Al washer		3
125		A5/Z M-F 1/8"-1/8" Extension		1
300		Inlet filter F300		1
301		Filter housing		1
302	R	Filter element		1
303		Filter cover		1
304	G	O Ring M. ø185 c=5		1
305	G	V Gasket		2
310		M M 2"G Pipe fitting		1
311		A4 2"G Elbow union		1
312		2"G fitting		1
313		Collar		1
314		Flexible pipe		1
315		Oil level switch		1
316		Oil level switch extension		1
317		Oil level switch port		1
318		A4/Z M-F 1/4"-1/8" Reduction		1
319		A5 M-F 1/8"-1/8" extension		1
320		PVR pressure gauge		1
321		A10 M-F 1/8"-1/8" fitting		1
322		Adjustable pressure switch		1
323		Oil filter condition indicator		1
324		Safety temperature switch		1



**PVR** Srl **SEDE LEGALE E AMMINISTRATIVA:**

Via Santa Vecchia, 107 - 23868 Valmadrera (LC), Italy  
T +39 0341 1918 51 - F +39 0341 1918 599  
info@pvr.it - www.pvr.it

**UNITÀ LOCALE:**

Via IV Novembre, 104F  
23868 Valmadrera (LC), Italy