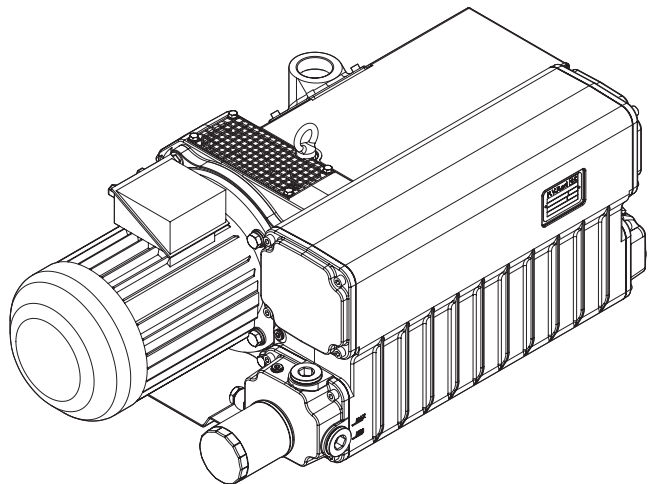


# **EU 160**

*Lubricated vane  
vacuum pump*



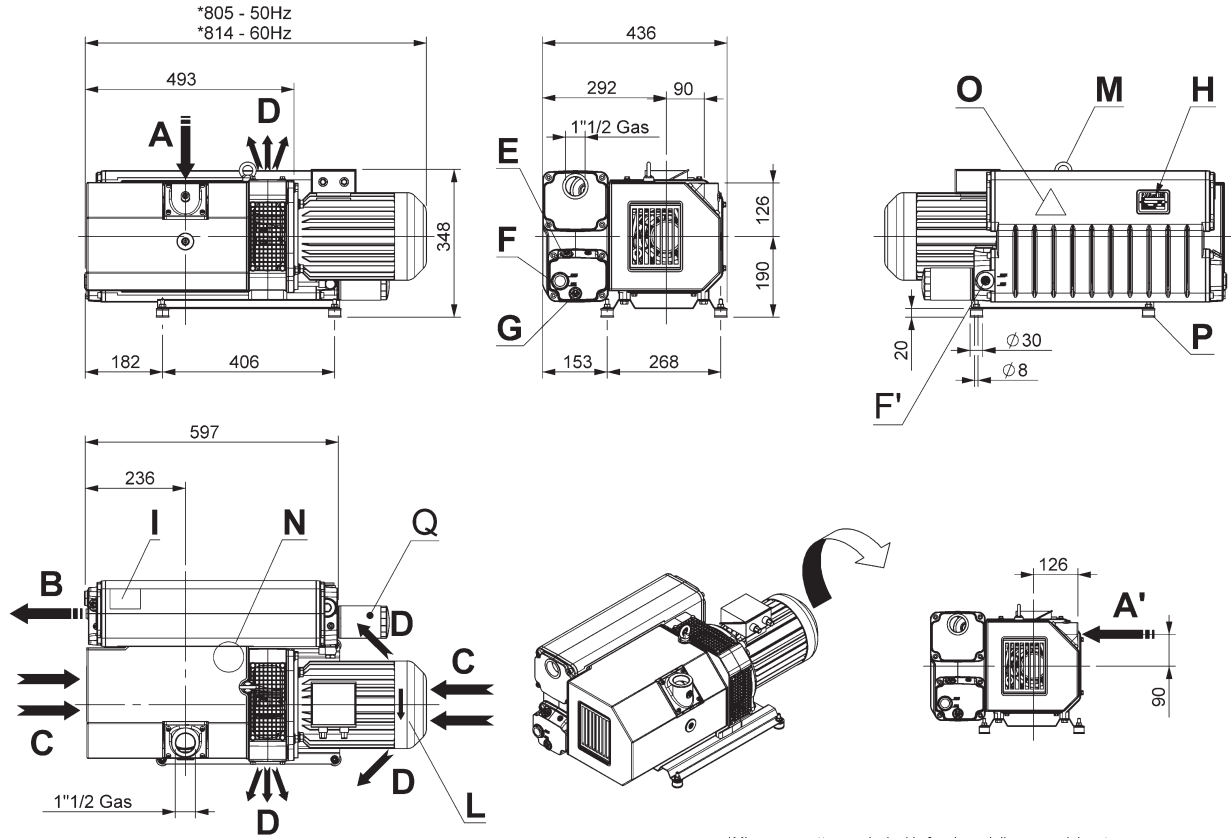
## ***Technical data and parts lists***

Publication Number:  
**RDT 2281.02 December 2017**

# Technical data and parts lists

## ENG

### EU160 – EU160/B



\*Misure soggette a variazioni in funzione della marca del motore  
 \*Dimensions subject to changes depending on the motor brand  
 \*Données sujettes aux variations en fonction de la marque du moteur  
 \*Die Maße können aufgrund von Motorzeichen ändern  
 \*Medidas sujetas a variación en función de la marca del motor

(I) (GB) (F) (D) (E)

<b>A</b>	Aspirazione verticale	Vertical inlet	Aspiration verticale	Senkrechter Einlass	Aspiración vertical
<b>A'</b>	Aspirazione orizzontale	Horizontal inlet	Aspiration horizontale	Waagerechter Einlass	Aspiración horizontal
<b>B</b>	Scarico aria	Exhaust	Sortie de l'air	Luftauslass	Salida de aire
<b>C</b>	Entrata aria raffreddamento	Cooling air inlet	Entrée air refroidissement	Kühluftseintritt	Entrada aire refrigeración
<b>D</b>	Uscita aria raffreddamento	Cooling air outlet	Sortie air refroidissement	Kühlluftaustritt	Salida aire refrigeración
<b>E</b>	Tappo carico olio	Oil filling plug	Bouchon remplissage huile	Öleinfüllschraube	Tapón carga de aceite
<b>F-F'</b>	Spia livello olio	Oil level sight glass	Voyant niveau huile	Ölschauglas	Mirilla aceite
<b>G</b>	Tappo scarico olio	Oil drain plug	Bouchon vidange huile	Ölablass-Schraube	Tapón vaciado de aceite
<b>H</b>	Targhetta identificazione	Pump name plate	Plaquette d'identification	Maschinenschild	Placa de identificación
<b>I</b>	Targhetta oli	Oil grade label	Plaquette huiles	Ölempfehlungsschild	Placa tipos de aceites
<b>L</b>	Targhetta rotazione	Rotation plate	Plaquette rotation	Drehungsschild	Placa sentido de giro
<b>M</b>	Golfaro di sollevamento	Lifting eyebolt	Anneau de levage	Aufhebenöschraube	Gancho de levantamiento
<b>N</b>	Zavorratore	Gas ballast valve	Lest d'air	Gasballastventil	Valvula gas-ballast
<b>O</b>	Targhetta superfici calde	Hot surfaces name plate	Plaquette surfaces chaudes	Typenschild für warme Fläche	Placa superficies calientes
<b>P</b>	Antivibranti	Vibration damper	Pied antivibratoire	Schwingungsdämpfer	Antivibrante
<b>Q</b>	Filtro olio	Oil filter	Filtre huile	Ölfiter	Filtro de aceite

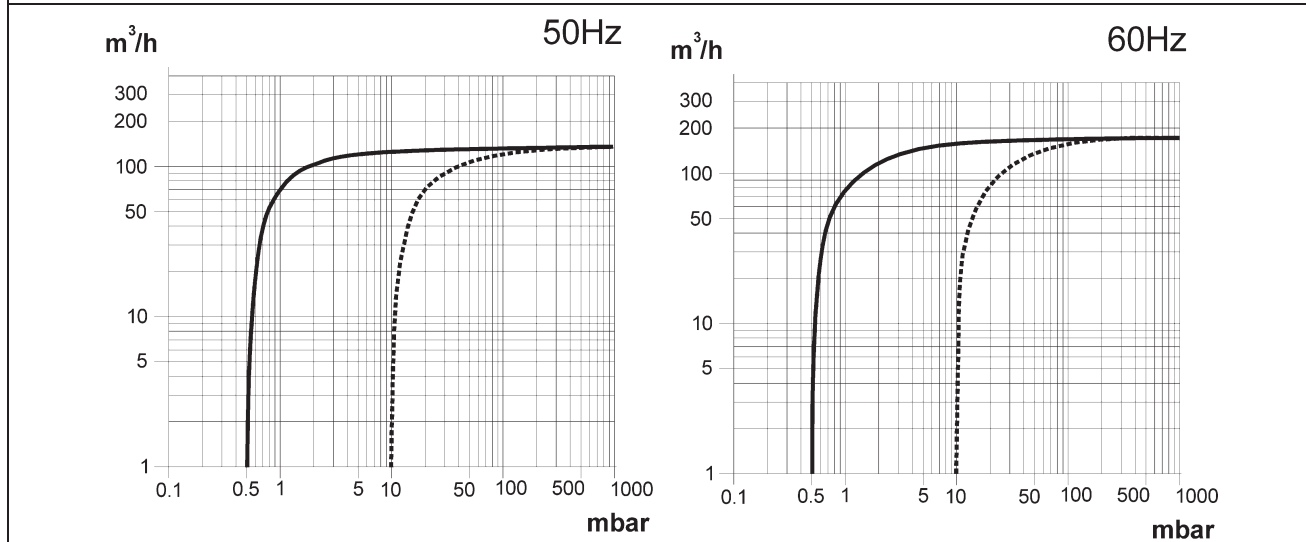
# Technical data and parts lists

## ENG

		EU160		EU160/B	
Portata nominale* Nominal speed* Débit nominal* Nennsaugvermögen* Caudal nominal*	m <sup>3</sup> /h	50Hz	152		
		60Hz	182		
Pressione finale*(assoluta) Ultimate pressure* (abs.) Pression limite* (abs.) Enddruck* (abs.) Presión final* (abs.)	mbar	0,5		10	
	Pascal	50		1000	
Potenza motore # / Numero di giri Motor power # / Rotational speed Puissance moteur # / Numéro de révolutions Motorleistung # / Drehzahl Potencia motor # / Velocidad de giro	kW	50Hz ~3	3		
	min <sup>-1</sup>		1500		
	kW	60Hz ~3	4		
	min <sup>-1</sup>		1800		
Caratteristiche motore elettrico Electric motor characteristics Caractéristiques moteur électrique Motoreigenschaften Características motor eléctrico		50Hz ~3	IM B5 230/400 V ±10%		
		60Hz ~3	IM B5 275/480 V ±10%		
Livello di pressione acustica Sound pressure level Niveau de pression acoustique Schalldruckpegel Nivel de presión acústica	dB(A) EN ISO 2151	50Hz	71		
		60Hz	72		
Pressione massima vapore H <sub>2</sub> O ammissibile Water vapour tolerance Pression de vapeur d'eau maximale admissible Wasserdampfverträglichkeit Presión máxima de vapor de agua admisible	mbar	30			
Quantità vapore H <sub>2</sub> O ammissibile Water vapour pumping capacity Capacité de pompage de la vapeur d'eau Wasserdampfkapazität Cantidad de vapor de agua admisible	kg/h	3			
Carica olio Oil capacity Charge d'huile Öfüllmenge Carga de aceite	l	3			
Peso totale / senza motore Total weight / Without motor Poids total / Sans moteur Gesamtgewicht / Gewicht ohne Motor Peso total / Sin motor	kg	50Hz	104 / 75		
		60Hz	110 / 75		

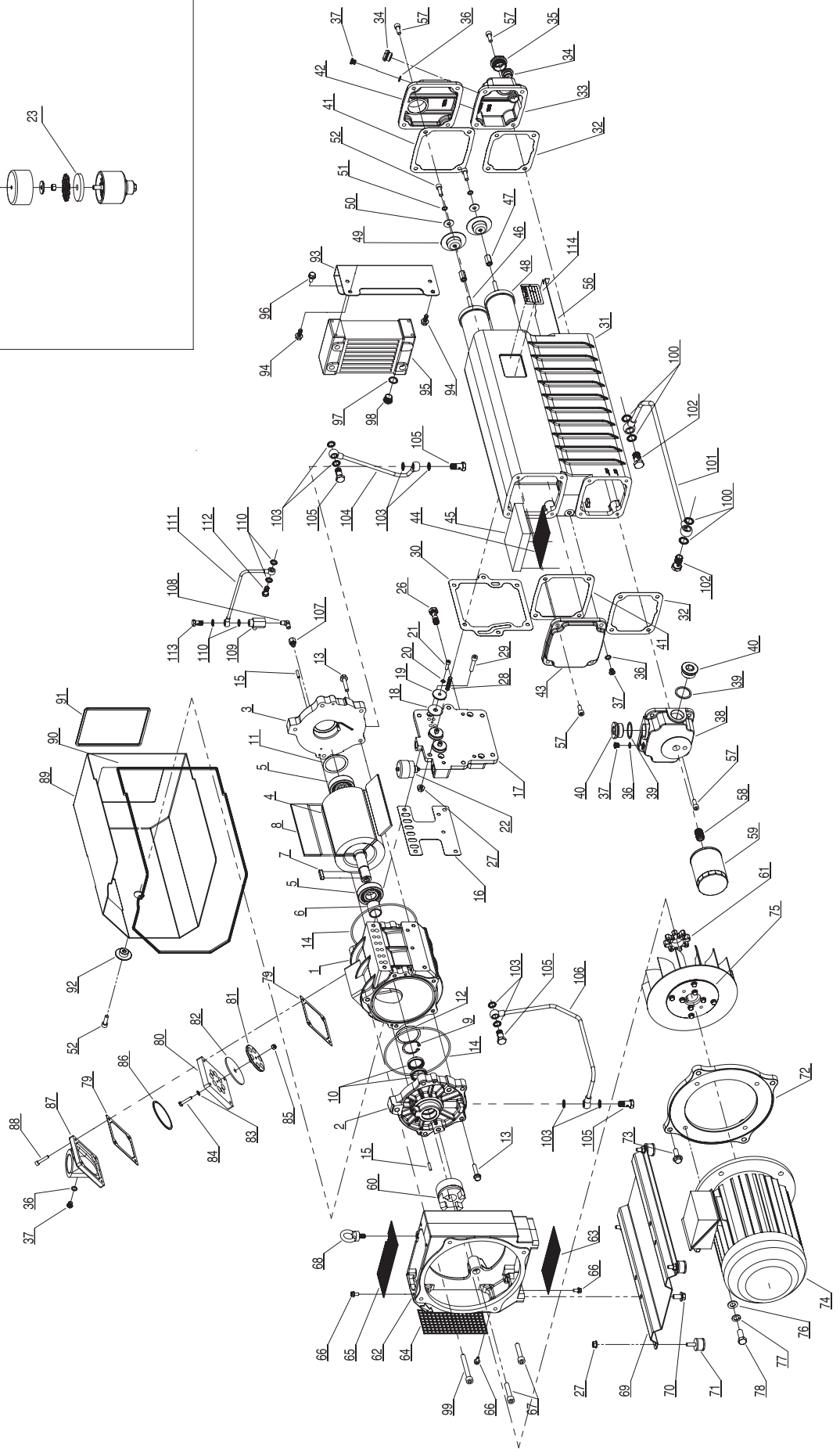
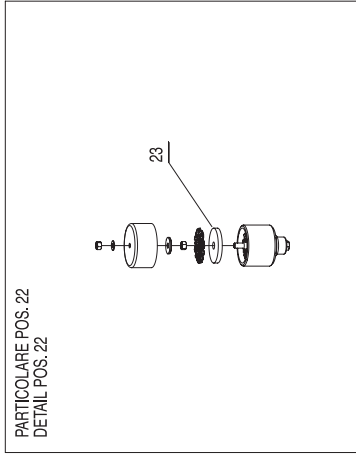
\*Secondo accordi PNEUROP 6602.  
\*According to PNEUROP standard 6602.  
\*Selon la norme PNEUROP 6602.  
\*Nach der PNEUROP Norm 6602.  
\*Según la normativa PNEUROP 6602.

#Valido per temperature fino a 40°C e altitudini inferiori a 1000 m.  
#Valid for temperatures up to 40°C and altitudes lower than 1000 m.  
#Valable pour températures jusqu'à 40°C et pour altitudes inférieures à 1000 m.  
#Gültig für Temperaturen bis 40°C und für Höhen weniger als 1000 m.  
#Válido para temperaturas hasta 40°C y altitudes inferiores a 1000 m.



# Technical data and parts lists

## ENG



POS.		DESCRIPTION	Quantità
1		Body of pump	1
2		Motor side cover	1
3		External side cover	1
4		Rotor	1
5		6305 Bearing	2
6		LR 25x30x30 Ring	1
7		8x7x30 Key	1
8		Vane	3
9		Seeger	1
10	G	BABSL 30x40x7 Seal ring	2
11		Space washer	1
12		Shim ring	1
13		M8x40 Hex Screw flanged and knurled	9
14		4625 O-Ring	2
15		5x24 Pin	4
16	G	Body of pump-spacer gasket	1
17		Pump-tank spacer	1
18		Ø36/10x2 Rubber disk	3
19		Support valve disk	3
20		D6 elastic washer	3
21		M6x20 Hex.Socket Head Screw	3
22		3/8"G Gas ballast valve	1
23	R	Gas ballast felt disk	1
26		1/4"G Screw with non return valve	1
27		M8 Nut flanged and knurled	10
28		M8x40 Hexagon socket stud bolt	6
29		M8x40 Hexagon socket head screw	4
30	G	Spacer-Tank gasket	1
31		Tank	1
32	G	Lower tank cover gasket	2
33		External side lower tank cover	1
34		1/2"G Filling-discharge plug	2
35		1" oil sight glass	1
36		1/8"G Al washer	4
37		1/8"G Hexagon socket head plug	4
38		Motor side lower tank cover	1
39		1"G Al washer	2
40		1"G Hexagon socked head plug	2
41	G	Upper tank cover gasket	2
42		External side upper tank cover	1
43		Motor side upper tank cover	1
44		Demister-tank support mesh	1
45		Tank demister	1
46		Stay bolt for exhaust filter	2
47		Stay bolt sleeve	2
48	R	Exhaust filter	2
49		Disk for exhaust filter	2
50		D.8 washer	2
51		Ø8.4/13x1 Al washer	2
52		M8x25 Hex Socket head screw	3
56		Tank micro-stretched sheet	1
57		M8x20 Hex Socket head screw	16
58		UNF 3/4"-16 Nipple	1
59		Oil filter	1
60		Pump side coupling half	1
61	R	Elastic coupling insert	1
62		Fan cover sleeve	1
63		Sleeve lower safety mesh	1
64		Sleeve side safety mesh	1

# Technical data and parts lists

## ENG

POS.		DESCRIPTION	Quantità
65		Sleeve upper safety mesh	1
66		M6 x 12 Hex. screw flanged and knurled	12
67		M10x50 Hex socket head screw	2
68		M10 Eyebolt	1
69		Base-plate	1
70		M10x20 Hexagon screw flanged and knurled	4
71		Vibration damping foot	4
72		Motor flange	1
73		M10x30 Hexagon screw flanged and knurled	4
74		Electric motor	1
75		Fan assembly	1
76		D.12 washer	4
77		D.12 elastic washer	4
78		M12x60 Hexagon screw	4
79	G	Inlet gasket	2
80		Inlet valve body	1
81		Support valve disk	1
82	G	Rubber disk	1
83		D.6 washer	1
84		M6x30 Hex. screw	1
85		Nylon locknut	1
86		Inlet filtering baffle	1
87		Inlet port	1
88		M6x30 Hexagon socket head screw	4
89		Casing	1
90		Casing sheath	1
91		Casing window sheath	1
92		Disk for casing	1
93		Oil cooler support	1
94		M8x20 Hex. screw flanged and knurled	4
95		Air/oil cooler	1
96		M8x16 Hex. screw flanged and knurled	4
97		3/8"G Al washer	2
98		3/8"G Hexagon socket head plug	2
99		M10x80 Hex socket head screw	1
100		3/8"Gas Cu washer	4
101		Oil cooler inlet pipe	1
102		3/8"G Hollow bolt	2
103		1/4"Gas Cu washer	8
104		External side oil pipe	1
105		Screw for 1/4"G fitting	4
106		Motor side oil pipe	1
107		A5 M-F 1/8" - 1/8" Extension	1
108		M-M 1/8"G Elbow	1
109		F-F 1/8iG valve	1
110		1/8"Gas Cu washer	4
111		Oil recovery pipe	1
112		1/8"G Hollow bolt	1
113		Screw for 1/8" fitting for B version	1
114		Pump name plate	1



**PVR** Srl **SEDE LEGALE E AMMINISTRATIVA:**  
Via Santa Vecchia, 107 - 23868 Valmadrera (LC), Italy  
T +39 0341 1918 51 - F +39 0341 1918 599  
info@pvr.it - www.pvr.it

**UNITÀ LOCALE:**  
Via IV Novembre, 104F  
23868 Valmadrera (LC), Italy