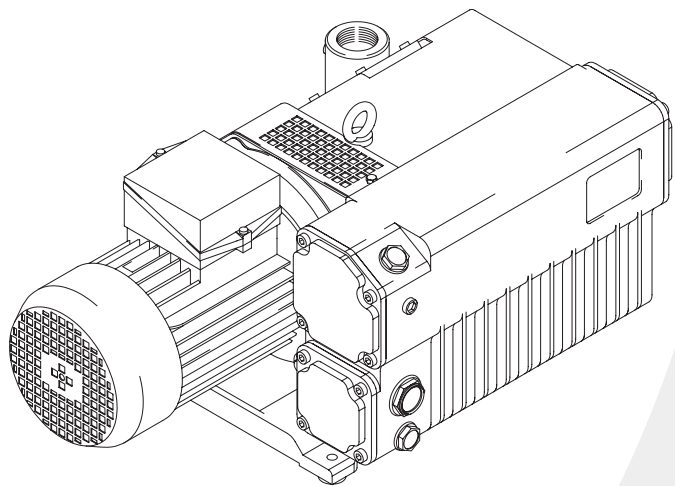


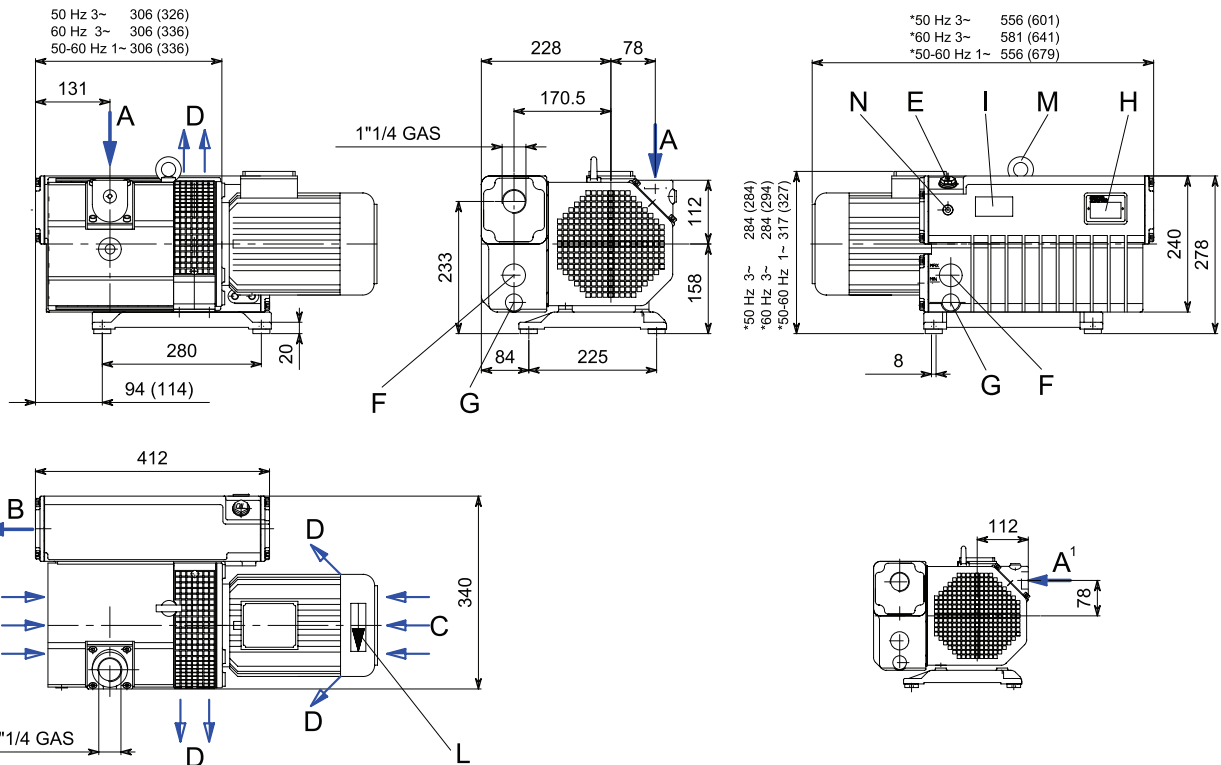
EU 45 - EU 45/B
EU 65 - EU 65/B
*Lubricated vane
vacuum pump*



***Technical data
and parts lists***

Publication Number:
RDT 709.04 December 2017

EU 45 - EU 45/B (EU 65 - EU 65/B)



*Misure soggette a variazioni in funzione della marca del motore

*Die Maße können auf Grund vom Motorzeichen ändern

*Dimensions subject to changes depending on the motor brand

*Medidas sujetas a variación en función de la marca del motor

*Données sujettes aux variations en fonction de la marque du moteur

I

GB

F

D

E

A	Aspirazione verticale	Vertical inlet	Aspiration verticale	Senkrechter Einlass	Aspiración vertical
A ¹	Aspirazione orizzontale	Horizontal inlet	Aspiration horizontale	Waagerechter Einlass	Aspiración horizontal
B	Scarico aria	Air outlet	Sortie de l'air	Luftauslass	Salida de aire
C	Entrata aria raffreddamento	Cooling air inlet	Entrée air refroidissement	Kühlluftseintritt	Entrada aire refrigeración
D	Uscita aria raffreddamento	Cooling air outlet	Sortie air refroidissement	Kühlluftsaustritt	Salida aire refrigeración
E	Tappo carico olio	Oil filling plug	Bouchon remplissage huile	Öleinfüllschraube	Tapón carga de aceite
F	Spia livello olio	Oil level control	Contrôle niveau huile	Öl-Kontrolle	Nivel de aceite
G	Tappo scarico olio	Oil discharge plug	Bouchon vidange huile	Ölablassschraube	Tapón vaciado de aceite
H	Targhetta identificazione	Pump name plate	Plaquette d'identification	Maschinenschild	Placa de identificación
I	Targhetta olii	Oil plate	Plaquette huiles	Ölempfehlungsschild	Placa tipos de aceites
L	Targhetta rotazione	Rotation plate	Plaquette rotation	Drehungsschild	Placa sentido de giro
M	Golfaro di sollevamento	Lifting eyebolt	Anneau de levage	Aufhebenöschraube	Gancho de levantamiento
N	Attacco 1/8" x manometro	1/8"port for pressure gauge	Trou 1/8" pour manomètre	Loch 1/8" für Manometer	Conexión 1/8" para manómetro

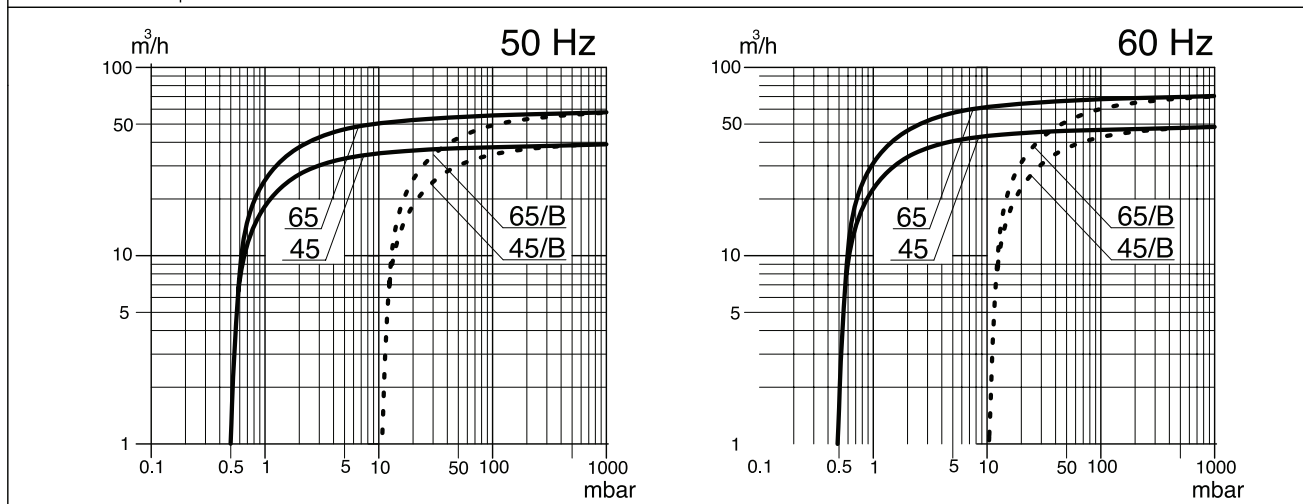
Technical data and parts lists

ENG

		EU 45		EU 45/B		EU 65		EU 65/B	
Portata nominale* Nominal capacity* Débit nominal* Caudal nominal* Nennsaugvermögen*	m^3/h	50Hz	48				69		
		60Hz	58				83		
Portata effettiva* Effective capacity* Débit effectif* Caudal efectivo* Effektives Saugvermögen*	m^3/h	50Hz	43				62		
		60Hz	52				74		
Pressione finale*(assoluta) Ultimate pressure* (abs.) Vide final* (abs.) Presión final* (abs.) Enddruck* (abs.)	mbar	0.5		10		0.5		10	
	Pa	50		1000		50		1000	
Numero di giri Revolutions number Número de révolutions Velocidad de giro Drehzahl	$min.^{-1}$	50Hz	1500						
		60Hz	1800						
Potenza motore # Motor power # Puissance moteur # Potencia motor # Motorleistung #	Kw	50Hz	~3	1.1				1.5	
			~1	1.5				2.2	
		60Hz	~3	1.5				2.2	
			~1	1.5				2.2	
Caratteristiche motore elettrico Electric motor characteristics Caractéristiques moteur électrique Características motor eléctrico Motoreigenschaften		50Hz	~3	IM B14 230/400 V ±10%					
			~1	IM B14 230 V ±10%					
		60Hz	~3	IM B14 275/480 V ±10%					
			~1	IM B14 275 V ±10%					
Livello di pressione acustica Sound pressure level Niveau de pression acoustique Nivel de presión acústica Schalldruckpegel	dB(A) EN ISO 2151	50Hz	68				69		
		60Hz	69				70		
Carica olio Oil charge Charge d'huile Carga de aceite Ölfüllmenge	l	2				2			
Peso totale Total weight Poids total Peso total Gesamtgewicht	Kg	50Hz	~3	52				60	
			~1	56				66	
		60Hz	~3	54				65	
			~1	56				66	
Peso senza motore Weight without motor Poids sans moteur Peso sin motor Gewicht ohne Motor	Kg	38				44			

*Secondo normativa PNEUROP 6602.
*According to Pneurop standard 6602.
*Selon la norme Pneurop 6602.
*Según la normativa Pneurop 6602.
*Nach der Pneurop Norm 6602.

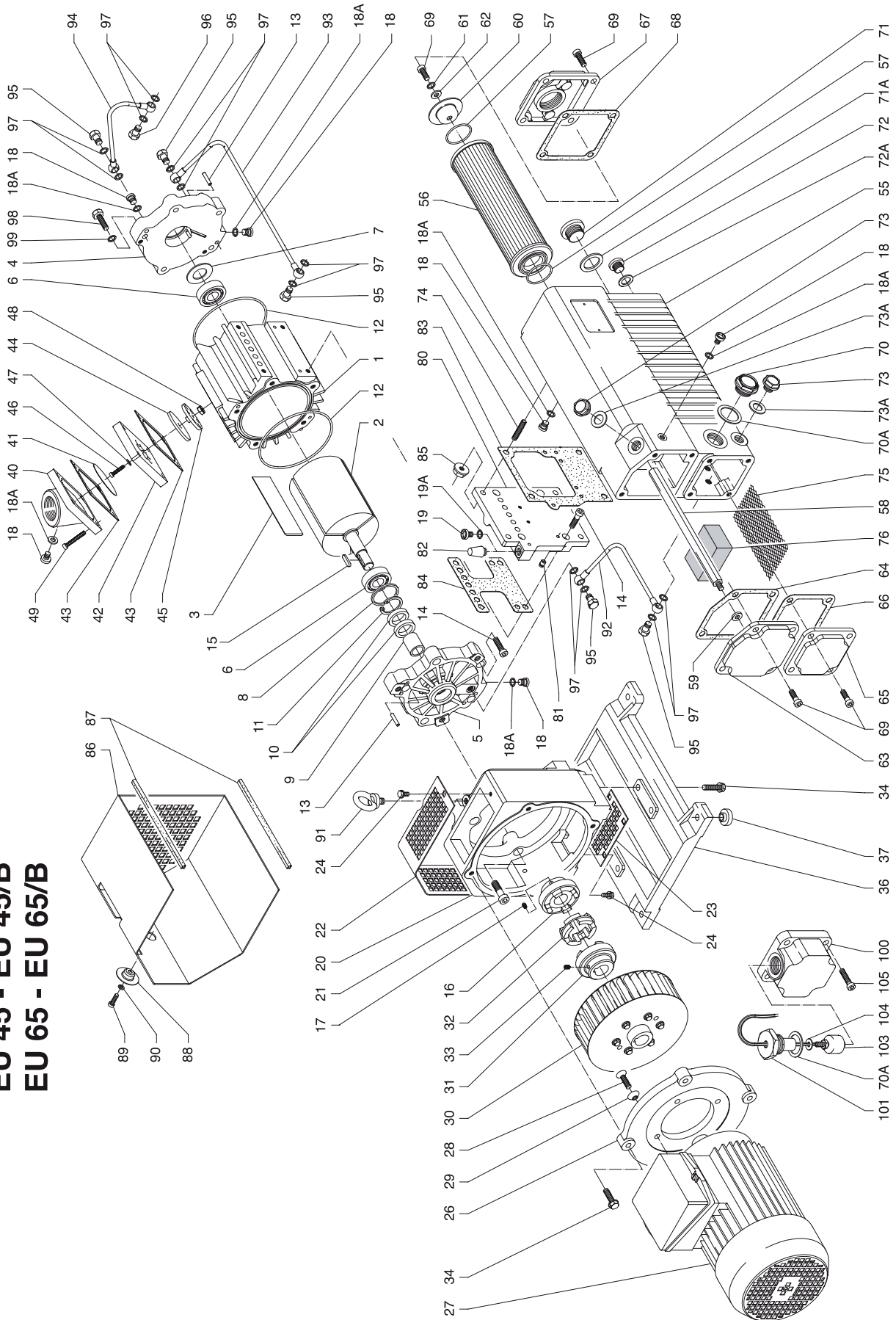
#Valido per temperature fino a 40°C e altitudini inferiori a 1000 m.
#Valid for temperatures up to 40°C and altitudes lower than 1000 m.
#Valable pour températures jusqu'à 40°C et pour altitudes inférieures à 1000 m.
#Válido para temperaturas hasta 40°C y altitudes inferiores a 1000 m.
#Gültig für Temperaturen bis 40°C und für Höhen weniger als 1000 m.



Technical data and parts lists

ENG

EU 45 - EU 45/B
EU 65 - EU 65/B



POS.		DESCRIPTION	Q.TA'	
			EU	EU/B
1		Body of pump	1	
2		Rotor	1	
3		Vane	3	
4		External cover	1	
5		Motor cover	1	
6		6204 Bearing	2	
7		Space washer	1	
8		Shim ring	1	
9		LR 20x25x26.5 bushing	1	
10	G	25x35x6 Seal ring	2	
11		J36 internal seeger	1	
12	G	O Ring No.3500	2	
13		Ø5x24 Pin	4	
14		M8x30 Hex.sock.head screw	9	
15		6x25 Key	1	
16		Pump coupling half	1	
17		M5x10 Grub screw	1	
18-18A		Al. 1/8" Plug + washer	6	4
19-19A		Al. 1/4" Plug + washer	0	1
20		Fan cover	1	
21		M10x35 Hex.sock.head screw	3	
22		Protection net (high)	1	
23		Protection net (low)	1	
24		M6x12 Hex. screw flanged - galvanized	6	
26		Motor flange	1	
27		Electric motor	1	
28		M8x25 Hex.flathead screw	4	
29		Conical lock washer Ø8	4	
30		Fan	1	
31		Motor coupling half	1	
32	R	Elastic coupling insert	1	
33		M6x8 Grub screw	1	
34		M8x30 Hex. screw flanged - galvanized	8	
36		Base plate	1	
37		Vibration damping foot	4	
40		Inlet	1	
41		Filtering mesh	1	
42		Inlet valve body	1	
43	G	Inlet gasket	2	
44	G	Rubber disk	1	
45		Support valve disk	1	
46		M5x25 Hex. sock. head screw	1	
47		Al washer Ø5	1	
48		Locknut	1	
49		M6X40 Hex.sock. head screw	4	
55		Tank	1	
56	R	Exhaust filter	1	

Technical data and parts lists

ENG

POS.		DESCRIPTION	Q.TA'	
			EU	EU/B
57	G	O Ring No.147		2
58		Stay bolt (for exhaust filter)		1
59		Spring washer Ø8		1
60		Disk (for exhaust filter)		1
61		Al Ø8 Washer		1
62		Ø8/24 Washer		1
63		Left high cover		1
64	G	Gasket (for left high cover)		1
65		Left low cover		1
66	G	Gasket (for left low cover)		1
67		Discharge cover		1
68	G	Gasket for discharge		1
69		M8x20 Hex. sock. head screw		13
70-70A		1" Sight glass + washer		1
71-71A		1" Plug + washer		1
72-72A		1/2" Plug + washer		1
73-73A	G	1/2" Plug + washer		2
74		M8x40 Hex. sock. stud bolt		4
75		Diffuser plate		1
76		Demister		1
80		Pump-tank spacer		1
81		Valve		2
82		Silencer	1	0
83	G	Tank -spacer gasket		1
84	G	Pump-spacer gasket		1
85		M8 Nut flanged- galvanized		4
86		Casing		1
87		Sheath		2
88		Disk (for casing)		1
89		M6x20 Hex. sock. head screw		1
90		Spring washer Ø6		1
91		M10 Eyebolt		1
92		Motor side oil pipe		1
93		External side oil pipe		1
94		Oil recovery pipe (EU/B)	0	1
95		Screw for 1/8" fittings	4	5
96		Reduced screw for 1/8" fitting	0	1
97		Cu 1/8" washer	8	12
98		M8x40 Hex. screw		5
99		Ø8 Washer		5
OIL LEVEL SWITCH				
100		Cover for oil level switch		1
101		Extension for oil level switch		1
70A		1" Washer		1
103		Oil level switch		1
104		Al 1/8" washer		1
105		M8x35 Hex. sock. head screw		4

PVR Srl **SEDE LEGALE E AMMINISTRATIVA:**

Via Santa Vecchia, 107 - 23868 Valmadrera (LC), Italy
T +39 0341 1918 51 - F +39 0341 1918 599
info@pvr.it - www.pvr.it

UNITÀ LOCALE:

Via IV Novembre, 104F
23868 Valmadrera (LC), Italy