

DATA SHEET

U 4.630

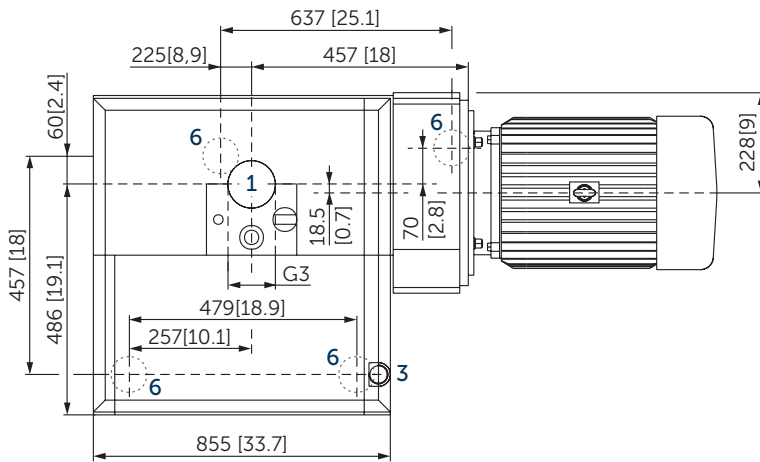
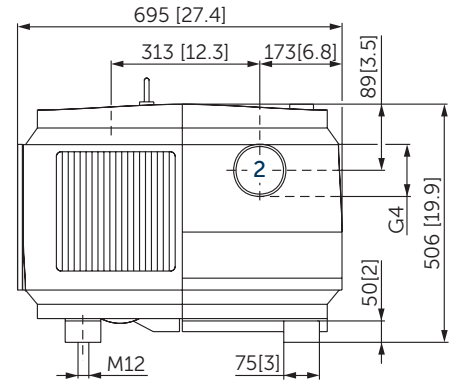
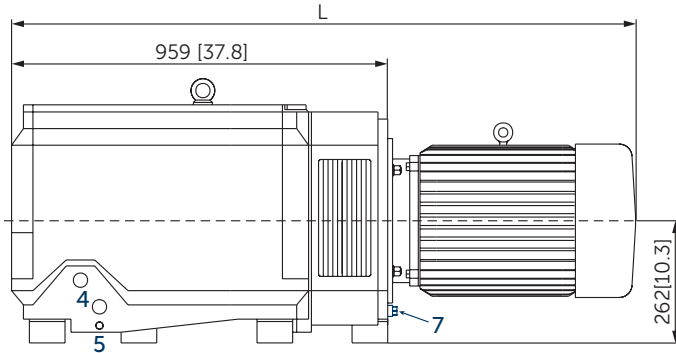
ROTARY VANE- VACUUM PUMPS

oil-lubricated

air-cooled

MAKE IT BECKER.





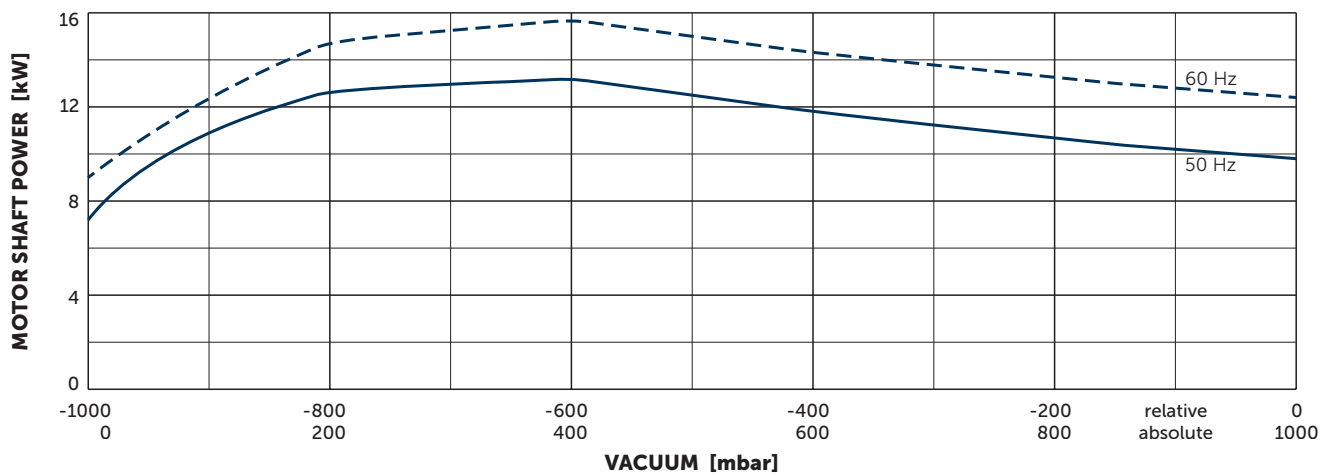
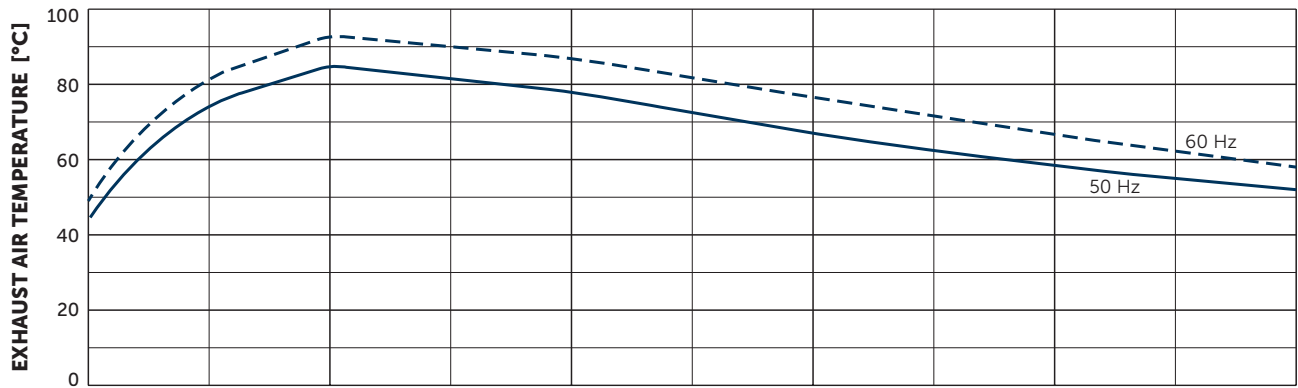
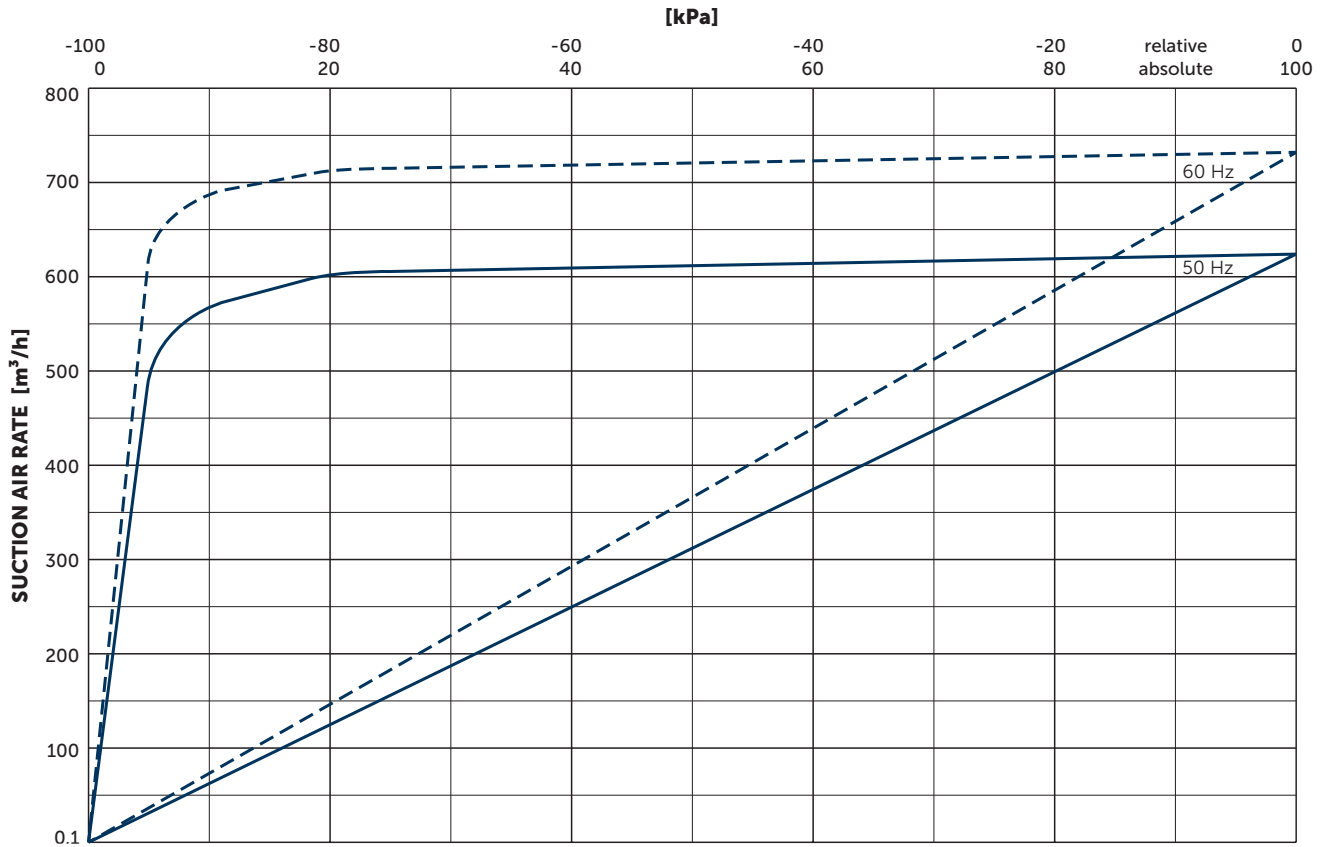
- 1 Vacuum connection (G3)
 - 2 Exhaust air connection (G4)
 - 3 Oil filler cap
 - 4 Oil sight glas
 - 5 Screw plug for oil drain
 - 6 Rubber buffer position
 - 7 PT100
- incl. non-return valve and oil separator
 - The motor illustration may vary
 - Dimensions in mm [inch]

	Nominal capacity		Vacuum absolute		Emission sound pressure level ¹⁾		Weight w/o motor	Oil ²⁾
	m ³ /h		mbar		dB(A)			
	50 Hz	60 Hz	50 Hz	60 Hz	50 Hz	60 Hz	kg	l
U 4.630 SA/K	624	732	3.0	3.0	80	83	370	14
U 4.630 F/K	624	732	0.5	0.5	80	83	370	14

¹⁾ DIN EN ISO 3744 (KpA = 3 dB(A)) interval of 1 m [39.4 inch], at medium load, both connection sides piped

²⁾ Becker Lube M100 mineral • S100 synthetic • SL100 food

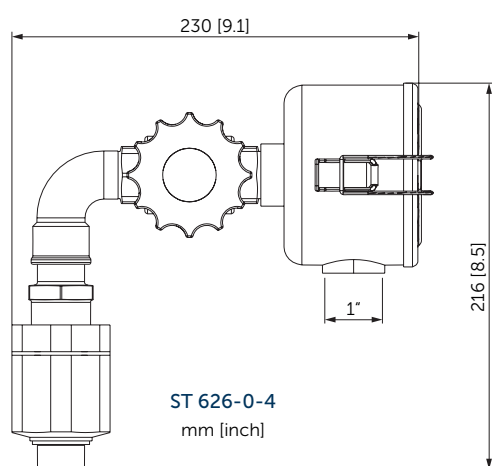
3~ Motors												L	
#	50 Hz				60 Hz				Version	Weight kg	mm [inch]		
	kW	V	min ⁻¹	A	kW	V	min ⁻¹	A					
01	15.0	Δ400	IE3	985	33.4	18.0	Δ400	IE3	1183	33.7	UL (E235514) • CSA CC329B IP 55 • ISO F • bimetal	196.0	1545 [60.9]
							Δ460		1175	37.2			
02						18.0	YY230/Y460	IE3	1183	69.1/34.6	UL (E235514) • CSA CC329B IP 55 • ISO F • bimetal	162.5	1545 [60.9]
							YY208		1180	72.3			
03	15.0	Δ200/Y350	IE3	987	68.6/39.6	18.0	Δ200/Y380-400	IE3	1185	69.7/40.2-39.6	UL (E235514) • CSA CC329B IP 55 • ISO F • bimetal	163.0	1545 [60.9]
							Δ200/Y350	IE3	1180	73.1/42.2			
04						18.0	Δ400/Y490	IE3	1185	38.9/22.4	UL (E235514) • CSA CC329B IP 55 • ISO F • bimetal	197.0	1545 [60.9]



Suction air rate refers to the intake pressure
 Reference data (atmosphere): 1000 mbar (100 kPa), 20°C (68°F)
 Tolerance: ±5%

+ ACCESSORIES

- Gas ballast valve ST 626-0-4 (no. 76870499626)
- Temperature trigger unit for monitoring the pump temperature with the use of the integrated temperature sensor PT100¹⁾
- Temperature monitor TW for monitoring the oil temperature¹⁾
- Oil level switch ST 682-0-2 for monitoring the oil level¹⁾
- Oil bath heating and thermostat
- Maintenance indicator ST 691-0-1 for oil separating elements (no. 91680099691)
- Oil-to-water heat exchanger
- External suction filter, e.g. FV 540¹⁾
- Oil: Becker Lube M100 mineral, S100 synthetic and SL100 food



Temperature trigger unit



Temperature monitor TW



Oil level switch ST 682-0-2



Maintenance indicator ST 691-0-1



Example for an external suction filter

¹⁾ See separate data sheet

- Combination options on request



MAKE IT BECKER.