

DATA SHEET

U 4.400

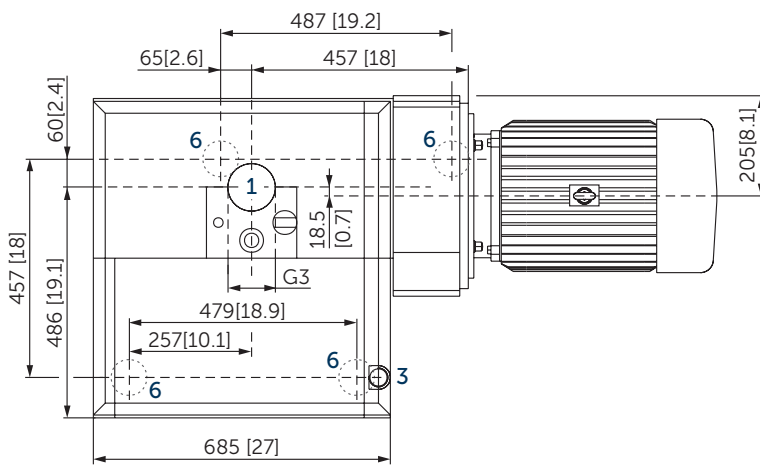
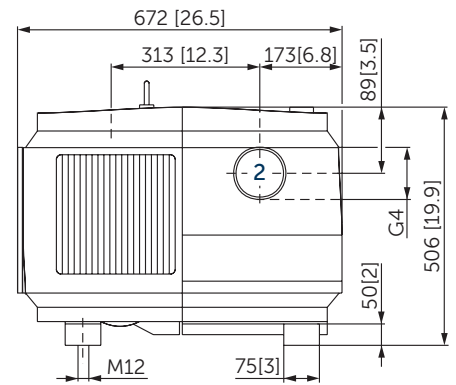
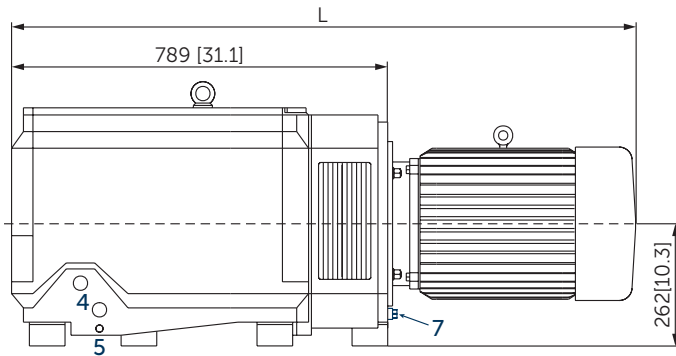
ROTARY VANE- VACUUM PUMPS

oil-lubricated

air-cooled

MAKE IT BECKER.





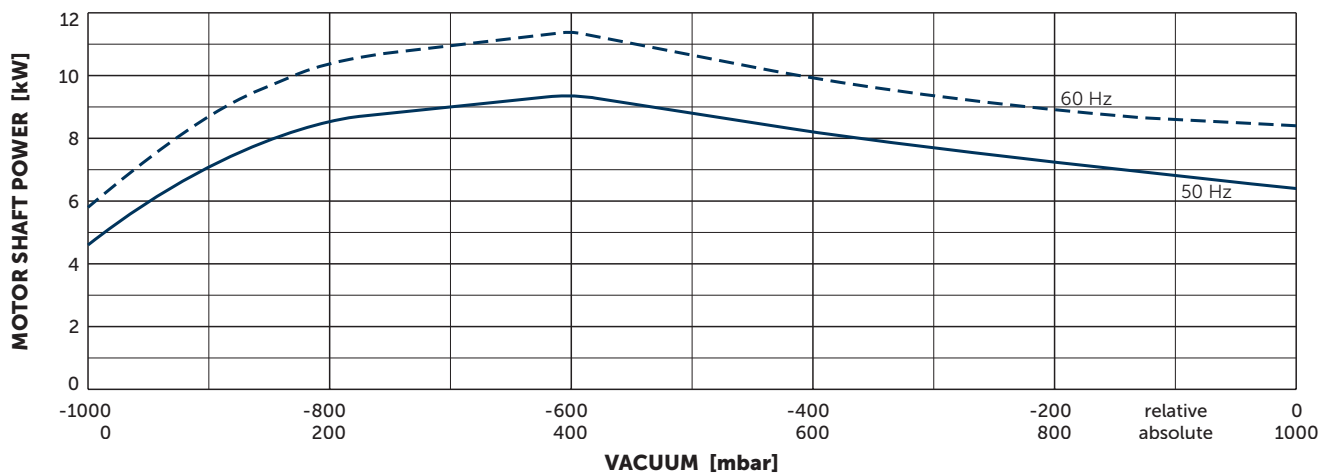
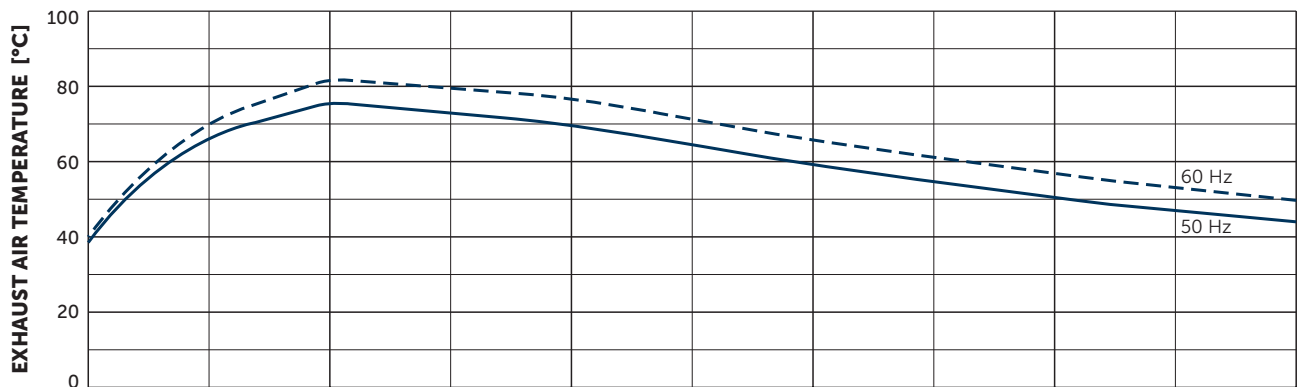
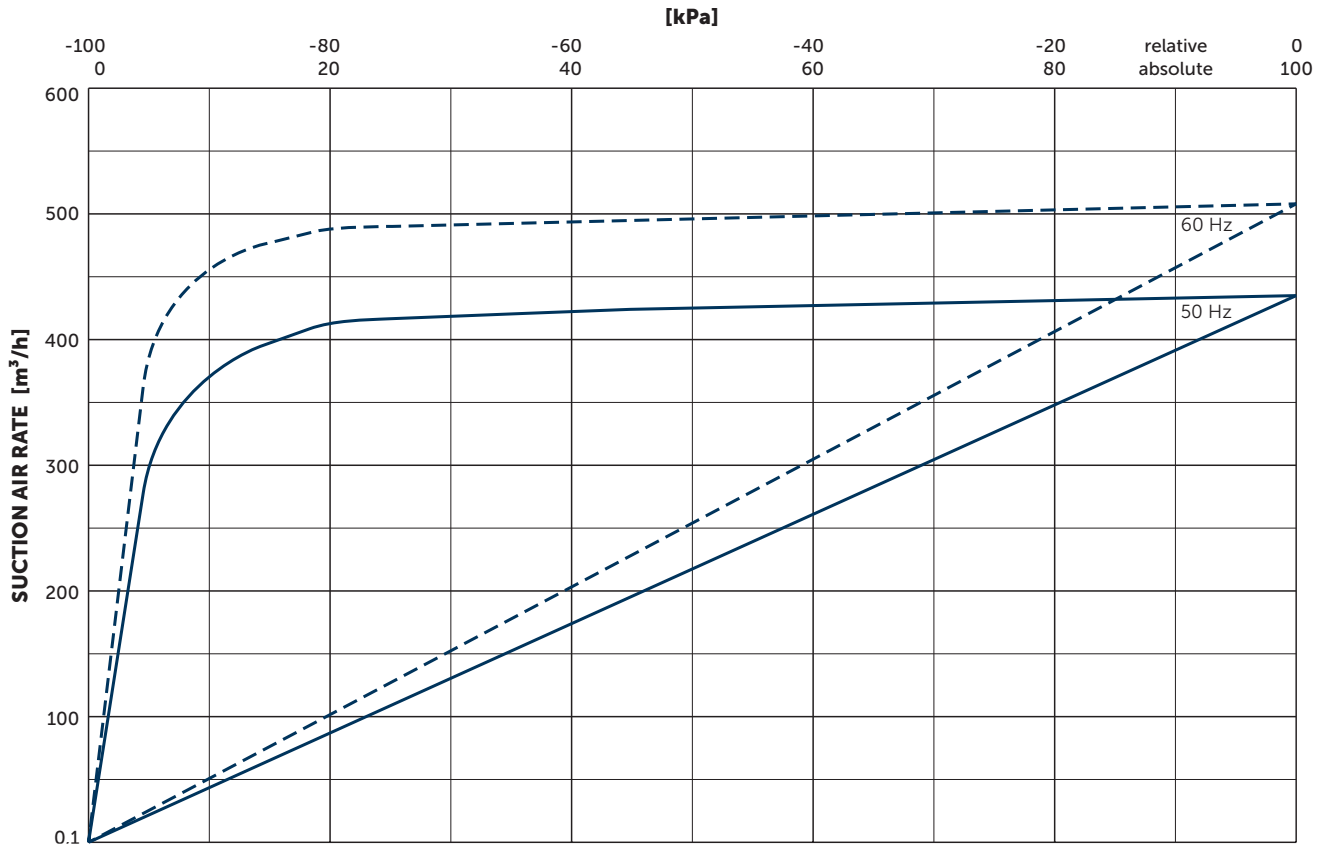
- 1 Vacuum connection (G3)
- 2 Exhaust air connection (G4)
- 3 Oil filler cap
- 4 Oil sight glass
- 5 Screw plug for oil drain
- 6 Rubber buffer position
- 7 PT100
- incl. non-return valve and oil separator
- The motor illustration may vary
- Dimensions in mm [inch]

	Nominal capacity		Vacuum absolute		Emission sound pressure level ¹⁾		Weight w/o motor	Oil ²⁾
	m ³ /h		mbar		dB(A)			
	50 Hz	60 Hz	50 Hz	60 Hz	50 Hz	60 Hz	kg	l
U 4.400 SA/K	435	508	3.0	3.0	73	76	278	14
U 4.400 F/K	435	508	0.5	0.5	73	76	278	14

¹⁾ DIN EN ISO 3744 (KpA = 3 dB(A)) interval of 1 m [39.4 inch], at medium load, both connection sides piped

²⁾ Becker Lube M100 mineral • S100 synthetic • SL100 food

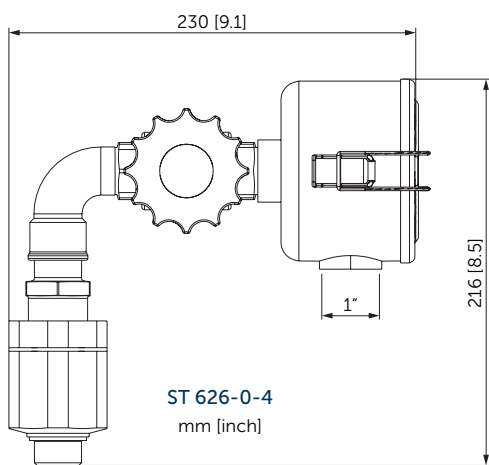
3~ Motors												L	
#	50 Hz				60 Hz				Version	Weight kg	mm [inch]		
	kW	V	min ⁻¹	A	kW	V	min ⁻¹	A					
01	11.0	Δ230/Y400	IE3	987	43.5/25.1	13.2	Δ265/Y460	IE3	1186	43.8/25.3	IP 55 • ISO F • PTC	163.0	1375 [54.2]
							Δ230/Y400		1180	46.9/27.1			
02	11.0	Δ230/Y400	IE3	987	43.5/25.1	13.2	Δ265/Y460	IE3	1186	43.8/25.3	UL (E235514) • CSA CC329B	163.0	1375 [54.2]
							Δ230/Y400		1180	46.9/27.1	IP 55 • ISO F • bimetal		
03	11.0	Δ400	IE3	987	24.9	13.2	Δ460	IE3	1185	22.1/11.1	IP 55 • ISO F • bimetal	163.0	1375 [54.2]
							Δ400		1180	23.3			
04	11.0	Δ400	IE3	987	24.9	13.2	Δ460	IE3	1185	25.0	UL (E235514) • CSA CC329B	163.0	1375 [54.2]
							Δ400		1180	27.3	IP 55 • ISO F • bimetal		
05						13.2	YY230/Y460	IE3	1185	50.6/25.3	UL (E235514) • CSA CC329B	162.5	1375 [54.2]
							YY208		1180	52.9	IP 55 • ISO F • bimetal		
06	11.0	Δ200/Y350		985	45.9/26.5	13.2	Δ200/Y380–400	IE3	1185	49.0/28.3–27.2	UL (E235514) • CSA CC329B	163.0	1368 [53.9]
							Δ200/Y350		1177	52.8/30.5	IP 55 • ISO F • bimetal		
07						13.2	Δ400/Y490	IE3	1185	27.8/15.9	UL (E235514) • CSA CC329B	166.0	1375 [54.2]



Suction air rate refers to the intake pressure
 Reference data (atmosphere): 1000 mbar (100 kPa), 20°C (68°F)
 Tolerance: ±5%

+ ACCESSORIES

- Gas ballast valve ST 626-0-4 (no. 76870499626)
- Temperature trigger unit for monitoring the pump temperature with the use of the integrated temperature sensor PT100¹⁾
- Temperature monitor TW for monitoring the oil temperature¹⁾
- Oil level switch ST 682-0-2 for monitoring the oil level¹⁾
- Oil bath heating and thermostat
- Maintenance indicator ST 691-0-1 for oil separating elements (no. 91680099691)
- Oil-to-water heat exchanger
- External suction filter, e.g. FV 540¹⁾
- Oil: Becker Lube M100 mineral, S100 synthetic and SL100 food



Temperature trigger unit



Temperature monitor TW



Oil level switch ST 682-0-2



Maintenance indicator ST 691-0-1



Example for an external suction filter

¹⁾ See separate data sheet

- Combination options on request



MAKE IT BECKER.