

**ERSATZTEILLISTE • SPARE PARTS LIST • LISTE DE PIÈCES DE RECHANGE  
LISTINO PEZZI DI RICAMBIO • LISTA DE PIEZAS DE RECAMBIO**

# U 5.101

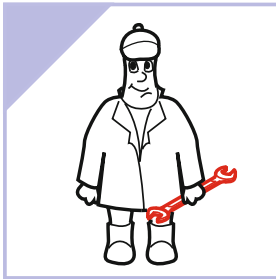
**DREHSCHIEBERPUMPEN • ROTARY VANE PUMPS • POMPES À PAULETTES  
POMPE A PALETTE • BOMBAS DE PALETAS**

**MAKE IT BECKER**



INDEX

## INDEX/INDICE


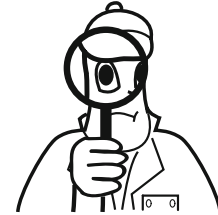


**BECKER**  
 year XX/20XX  
 No. **A1234567**  
 Compressor / vacuum  
 type XXX  
 frequency XXX  
 speed XXX  
 power required XXX  
 inlet capacity XXX  
 pressure XXX  
 vacuum XXX

Geb. Becker GmbH  
 Hölker Feld 29  
 WUPPERTAL  
 GERMANY  
 www.becker-international.com  
 Made in germany

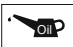
z  
 min<sup>-1</sup>  
 kW  
 m<sup>3</sup>/h  
 mbar

**INDEX**

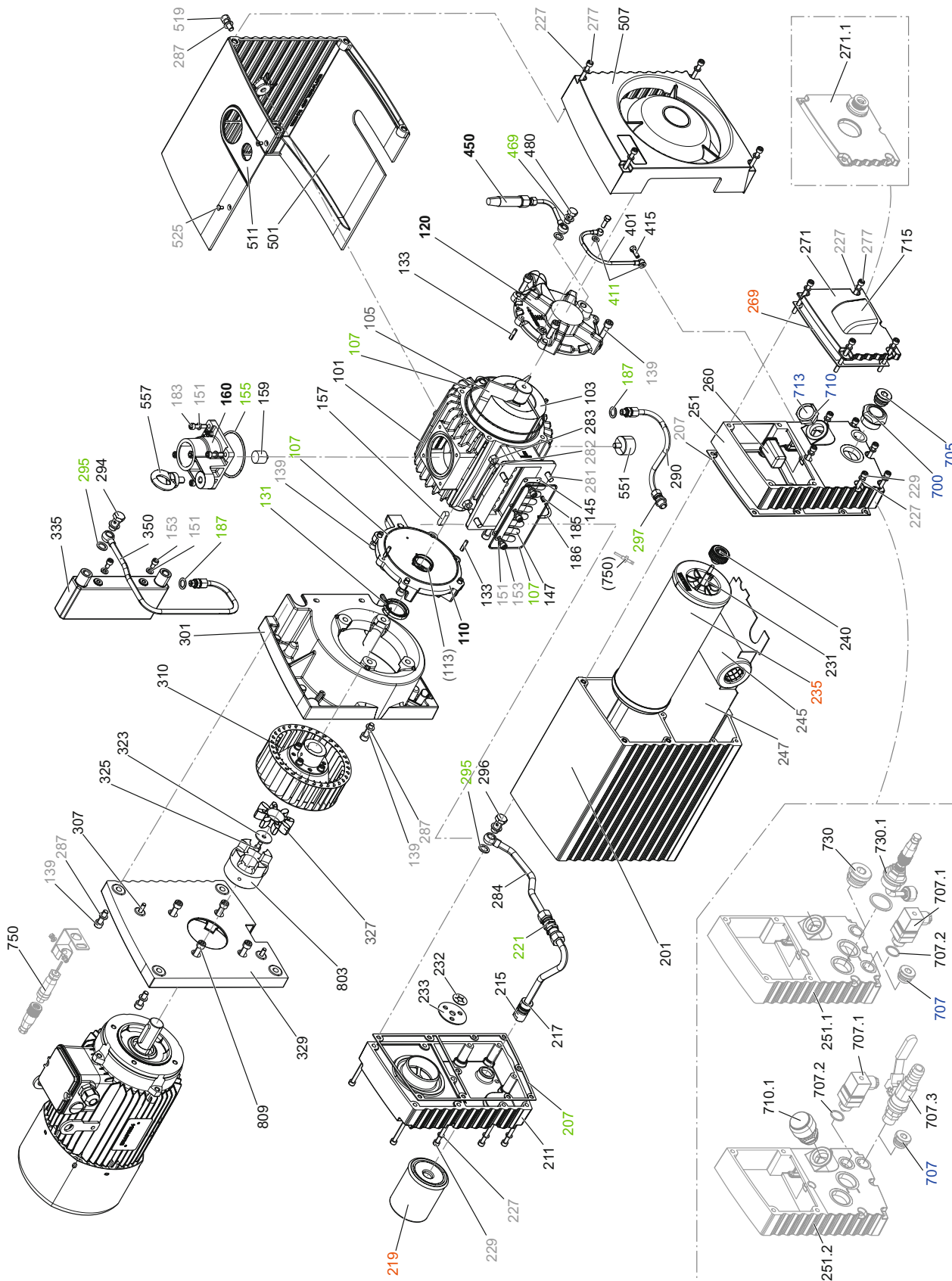

[WWW.BECKER-INTERNATIONAL-SHOP.COM](http://WWW.BECKER-INTERNATIONAL-SHOP.COM)

**wichtige Komponenten - Serviceteile**  
**important components - Service Parts**  
**composants importants - Pièces de service**  
**importanti componenti - Parti di servizio**  
**componentes importantes - Partes de servicio**



| INDEX   | Pos. | Ident No.    | Description                       | Quantity |
|---|------|--------------|-----------------------------------|----------|
|   | K1   | 566500 54200 | MAINTENANCE KIT                   | KIT      |
|   | K2   | 549000 54200 | SET OF SEALS                      | KIT      |
|   | K3   | 566100 54200 | OIL SIGHT GLASS KIT               | KIT      |
|   | K4   | 566303 54200 | REPAIR KIT                        | KIT      |
|   | K5   | 966900 54200 | SCREW KIT                         | KIT      |
|  |      | 960009 00001 | BECKER LUBE M 100 (MINERAL OIL)   | 1 l      |
|   |      | 960009 00201 |                                   | 5 l      |
|   |      | 960016 00101 | BECKER LUBE S 100 (SYNTHETIC OIL) | 1 l      |
|   |      | 960016 00201 |                                   | 5 l      |
|   |      | 960023 00101 | BECKER LUBE SL 100 (FOOD SECTOR)  | 1 l      |
|   |      | 960023 00201 |                                   | 5 l      |

U 5.101



| INDEX | Pos.      | Bestell Nr.       | Beschreibung                                    |  |
|-------|-----------|-------------------|---|---|
|       | <b>K1</b> | 566500 54200      | WARTUNGSATZ                                     | 1)  |
|       | <b>K2</b> | 549000 54200      | DICHTUNGSSATZ                                   | 2)  |
|       | <b>K3</b> | 566100 54200      | ÖLSCHAUGLASSATZ                                 | 3)  |
|       | <b>K4</b> | 566303 54200      | REPARATURSATZ                                   | 4)  |
|       | <b>K5</b> | 966900 54200      | SCHRAUBENSATZ                                   | 5)  |
|       | 101       | 000103 54200      | GEHÄUSE   |   |
|       | 103       | 020002 54200      | KOLBEN  |   |
|       | 105       | K4 (900504 00003) | SCHIEBERSATZ                                    |   |
|       | 107       | K2, K4            | O-RING  |   |
|       | 110       | 500806 54200      | SEITENDECKEL KOMPLETT, A-SEITE                  |   |
|       | 113       | K4                | GLEITLAGER                                      |   |
|       | 120       | 500706 54200      | SEITENDECKEL KOMPLETT, B-SEITE                  |   |
|       | 131       | K2, K4            | WELLENDICHTRING                                 |   |
|       | 133       | 948742 00000      | PASSKERBSTIFT                                   |   |
|       | 139       | K5                | INNENSECHSKANTSCHRAUBE - M8X25                  |   |
|       | 145       | 033900 54200      | VENTILPLATTE                                    |   |
|       | 147       | 029101 54200      | VENTILFÄNGER                                    |   |
|       | 151       | K5                | SCHEIBE   |   |
|       | 153       | K5                | INNENSECHSKANTSCHRAUBE - M6X12                  |   |
|       | 155       | K2, K4            | O-RING  |   |
|       | 157       | 947807 00000      | PASSFEDER                                       |   |
|       | 159       | 741324 00000      | GUMMIPUFFER                                     |   |
|       | 160       | 537503 54200      | SAUGVENTILEINHEIT                               |   |
|       | 183       | K5                | INNENSECHSKANTSCHRAUBE - M6X25                  |   |
|       | 185       | 911020 00000      | TOLERANZHÜLSE                                   |   |
|       | 186       | 012209 54201      | ZULUFTLEITUNG                                   |   |
|       | 187       | K2, K4            | KUPFERRING                                      |   |
|       | 201       | 002404 54200      | ÖLBEHÄLTER                                      |   |
|       | 207       | K2, K4            | DICHTUNG  |   |
|       | 211       | 001700 54200      | ÖLBEHÄLTERDECKEL HINTEN                         |   |
|       | 215       | 064800 54200      | ADAPTER   |   |
|       | 217       | K2, K4            | O-RING  |   |
|       | 219       | K1, K4            | ÖLFILTER  |   |
|       | 221       | K2, K4            | KUPFERRING                                      |   |
|       | 227       | K5                | SCHEIBE   |   |
|       | 229       | K5                | INNENSECHSKANTSCHRAUBE - M6X50                  |   |
|       | 231       | 034103 99628      | ANKERSCHRAUBE                                   |   |
|       | 232       | 950184 00000      | KLEMMSCHEIBE                                    |   |
|       | 233       | 030700 54200      | DROSSELSCHEIBE                                  |   |
|       | 235       | K1, K4            | LUFTENTÖLELEMENT                                |   |
|       | 240       | 921500 50000      | HANDGRIFF                                       |   |
|       | 245       | K4                | GROBABSCHIEDER                                  |   |
|       | 247       | K4                | FILTERBLECH                                     |   |
|       | 251       | 502500 54200      | SERVICE-DECKEL (STANDARD)                       |   |
|       | 251.1     | 502502 54200      | SERVICE-DECKEL (VARIANTE 1)                     |   |
|       | 251.2     | 502501 54200      | SERVICE-DECKEL (VARIANTE 2)                     |   |
|       | 260       | 567803 99559      | SCHWIMMER KOMPLETT                              |   |
|       | 269       | K1, K2, K4        | DICHTUNG  |   |
|       | 271       | 003700 54200      | WARTUNGSDECKEL (STANDARD)                       |   |
|       | 271.1     | 503700 54200      | WARTUNGSDECKEL (MIT ABLUFTANSCHLUSS UND VENTIL) |   |
|       | 277       | K5                | INNENSECHSKANTSCHRAUBE M6X65                    |   |
|       | 281       | K5                | STIFTSCHRAUBE - M8X20                           |   |
|       | 282       | K5                | SCHEIBE   |   |
|       | 283       | K5                | SECHSKANTMUTTER - M8                            |   |

| INDEX | Pos.  | Bestell Nr.       | Beschreibung                            |  |
|-------|-------|-------------------|---|---|
|       | 284   | 512211 54200      | LEITUNG                                 |   |
|       | 290   | 012207 54200      | LEITUNG                                 |   |
|       | 295   | K2, K4            | KUPFERRING                              |   |
|       | 296   | 948402 00000      | HOHLSCHRAUBE                            |   |
|       | 297   | 936353 00000      | KUPFERRING                              |   |
|       | 301   | 053201 54200      | LATERNE                                 |   |
|       | 307   | 947628 01000      | ZYLINDERSTIFT                           |   |
|       | 310   | 502301 54200      | KUPPLUNGSHÄLFTE MIT VENTILATOR          |   |
|       | 323   | 016801 54200      | SPANNSCHEIBE                            |   |
|       | 325   | 901809 00000      | WELLENENDSCHRAUBE                       |   |
|       | 327   | K4 (902200 54200) | KUPPLUNGSSCHEIBE                        |   |
|       | 329   | 014900 54200      | MOTORFLANSCH                            |   |
|       | 335   | 960203 54200      | KÜHLER                                  |   |
|       | 350   | 012206 54200      | LEITUNG                                 |   |
|       | 401   | 012206 54200      | RÜCKSAUGLEITUNG                         |   |
|       | 411   | K2, K4            | SCHEIBE                                 |   |
|       | 415   | 009400 19000      | KUGELSTÜCKSCHRAUBE                      |   |
|       | 450   | 768756 99626      | GASBALLAST KOMPLETT - STANDARD          |   |
|       | 450.1 | 768754 99626      | GASBALLAST KOMPLETT - OPTIONAL          |   |
|       | 460   | 012205 54200      | GASBALLASTLEITUNG                       |   |
|       | 469   | K2, K4            | KUPFERRING                              |   |
|       | 480   | 548402 54200      | HOHLSCHRAUBE MIT DÜSE - STANDARD        |   |
|       | 480.1 | 948401 00000      | HOHLSCHRAUBE OHNE DÜSE - OPTIONAL       |   |
|       | 501   | 018311 54200      | HAUBE                                   |   |
|       | 507   | 020800 54200      | LUFTLEITHAUBE                           |   |
|       | 511   | 067100 54200      | DECKEL SAUGVENTIL                       |   |
|       | 519   | K5                | INNENSECHSKANTSCHRAUBE - M8X20          |   |
|       | 525   | K5                | SENKSCHEIBE - M4X8                      |   |
|       | 551   | 741310 60000      | GUMMIPUFFER                             |   |
|       | 557   | 948802 00000      | RINGSCHRAUBE - M10                      |   |
|       | 700   | K3, K4            | ÖLSCHAUGLAS MIT DICHTUNG                |   |
|       | 705   | K3, K4            | VERSCHLUSSSCHRAUBE                      |   |
|       | 707   | 951203 00000      | VERSCHLUSSSCHRAUBE                      |   |
|       | 707.1 | 743421 04000      | TEMPERATURWÄCHTER - OPTIONAL            |   |
|       | 707.2 | 948033 00000      | KUPFERRING                              |   |
|       | 707.3 | 521601 99400      | KUGELHAHN (MIT SCHLAUCHANSCHLUSS 19MM)  | 6)  |
|       | 710   | K3, K4            | SCHRAUBDECKEL                           |   |
|       | 710.1 | 916801 99691      | WARTUNGSANZEIGER - OPTIONAL             |   |
|       | 713   | K3, K4            | AUFKLEBER                               |   |
|       | 715   | 034900 54200      | UMLENKKAPPE                             |   |
|       | 730   | 951221 00100      | VERSCHLUSSSCHRAUBE                      |   |
|       | 730.1 | 741107 99682      | NIVEAUGEBER - OPTIONAL                  |   |
|       | 750   | 543403 00000      | TEMPERATURFÜHLER / ANBAUSATZ - OPTIONAL |   |
|       | 803   | 902100 54200      | KUPPLUNGSNABE ANTRIEBSSEITIG            |   |
|       | 809   | K5                | INNENSECHSKANTSCHRAUBE - M8X35          |   |

<sup>1)</sup> **K1** - 566500 54200 → POS.: 219, 235, 269

<sup>2)</sup> **K2** - 549000 54200 → POS.: 107, 131, 155, 187, 207, 217, 221, 269, 295, 297, 411, 469

<sup>3)</sup> **K3** - 566100 54200 → POS.: 700, 705, 710, 713

<sup>4)</sup> **K4** - 566303 54200 → POS.: K1, K2, K3 + 105, 113, 245, 247, 327

<sup>5)</sup> **K5** - 966900 54200 → POS.: 139, 151, 153, 183, 227, 229, 277, 281, 282, 283, 519, 525, 809

<sup>6)</sup> OPTIONALES BAUTEIL. BEI NACHTRÄGLICHER MONTAGE BITTE EINKLEBEN!

| INDEX | Pos.      | Ident No.         | Description  |  |
|-------|-----------|-------------------|--|---|
|       | <b>K1</b> | 566500 54200      | MAINTENANCE KIT  | 1)  |
|       | <b>K2</b> | 549000 54200      | SET OF SEALS   | 2)  |
|       | <b>K3</b> | 566100 54200      | OIL SIGHT GLASS KIT                                    | 3)  |
|       | <b>K4</b> | 566303 54200      | REPAIR KIT   | 4)  |
|       | <b>K5</b> | 966900 54200      | SCREW KIT  | 5)  |
|       | 101       | 000103 54200      | PUMP BODY  |   |
|       | 103       | 020002 54200      | ROTOR  |   |
|       | 105       | K4 (900504 00003) | ROTOR VANE KIT   |   |
|       | 107       | K2, K4            | O-RING SEAL  |   |
|       | 110       | 500806 54200      | SIDE SHIELD COMPLETELY, DRIVE SIDE                     |   |
|       | 113       | K4                | SLIDE BEARING  |   |
|       | 120       | 500706 54200      | SIDE SHIELD COMPLETELY                                 |   |
|       | 131       | K2, K4            | SHAFT SEALING RING                                     |   |
|       | 133       | 948742 00000      | GROOVED PIN  |   |
|       | 139       | K5                | HEX HEAD SCREW - M8X25                                 |   |
|       | 145       | 033900 54200      | VALVE PLATE  |   |
|       | 147       | 029101 54200      | VALVE KEEPER   |   |
|       | 151       | K5                | WASHER   |   |
|       | 153       | K5                | HEX HEAD SCREW - M6X12                                 |   |
|       | 155       | K2, K4            | O-RING SEAL  |   |
|       | 157       | 947807 00000      | KEY  |   |
|       | 159       | 741324 00000      | BUMPER   |   |
|       | 160       | 537503 54200      | SUCTION VALVE UNIT                                     |   |
|       | 183       | K5                | HEX HEAD SCREW - M6X20                                 |   |
|       | 185       | 911020 00000      | AIR SUPPLY DUCT  |   |
|       | 186       | 012209 54201      | TOLERANCE SLEEVE                                       |   |
|       | 187       | K2, K4            | COPPER SEALING RING                                    |   |
|       | 201       | 002404 54200      | OIL TANK   |   |
|       | 207       | K2, K4            | GASKET   |   |
|       | 211       | 001700 54200      | OIL TANK CAP   |   |
|       | 215       | 064800 54200      | ADAPTER  |   |
|       | 217       | K2, K4            | O-RING SEAL  |   |
|       | 219       | K1, K4            | OIL FILTER   |   |
|       | 221       | K2, K4            | COPPER SEALING RING                                    |   |
|       | 227       | K5                | WASHER   |   |
|       | 229       | K5                | HEX HEAD SCREW - M6X50                                 |   |
|       | 231       | 034103 99628      | ANCHORING SCREW  |   |
|       | 232       | 950184 00000      | CLAMPING DISC  |   |
|       | 233       | 030700 54200      | THROTTLE DISC  |   |
|       | 235       | K1, K4            | OIL SEPARATING ELEMENT                                 |   |
|       | 240       | 921500 50000      | HANDLE   |   |
|       | 245       | K4                | COARSE SEPARATOR                                       |   |
|       | 247       | K4                | FILTER STRAINER  |   |
|       | 251       | 502500 54200      | SERVICE COVER  |   |
|       | 251.1     | 502502 54200      | SERVICE COVER (VARIANT 1)                              |   |
|       | 251.2     | 502501 54200      | SERVICE COVER (VARIANT 2)                              |   |
|       | 260       | 567803 99559      | FLOAT COMPLETELY                                       |   |
|       | 269       | K1, K2, K4        | GASKET   |   |
|       | 271       | 003700 54200      | MAINTENANCE COVER (STANDARD)                           |   |
|       | 271.1     | 503700 54200      | MAINTENANCE COVER (WITH BLOW-OFF CONNECTION AND VALVE) |   |
|       | 277       | K5                | HEX HEAD SCREW - M6X65                                 |   |
|       | 281       | K5                | STUD - M8X20   |   |
|       | 282       | K5                | WASHER   |   |
|       | 283       | K5                | HEX-NUT - M8   |   |

| INDEX | Pos.  | Ident No.                | Description   |  |
|-------|-------|--------------------------|---|---|
|       | 284   | 512211 54200             | PIPE  |   |
|       | 290   | 012207 54200             | PIPE  |   |
|       | 295   | K2, K4                   | COPPER SEALING RING   |   |
|       | 296   | 948402 00000             | HOLLOW SCREW  |   |
|       | 297   | 936353 00000             | COPPER SEALING RING   |   |
|       | 301   | 053201 54200             | CONNECTION FLANGE   |   |
|       | 307   | 947628 01000             | CYLINDER PIN  |   |
|       | 310   | 502301 54200             | COUPLING WITH FAN   |   |
|       | 323   | 016801 54200             | TIGHTENING DISC   |   |
|       | 325   | 901809 00000             | SHAFT END BOLD  |   |
|       | 327   | K4 (902200 54200)        | COUPLING DISC   |   |
|       | 329   | 014900 54200             | MOTOR FLANGE  |   |
|       | 335   | 960203 54200             | COOLER  |   |
|       | 350   | 012208 54200             | PIPE  |   |
|       | 401   | 012206 54200             | SUCTION PIPE  |   |
|       | 411   | K2, K4                   | WASHER  |   |
|       | 415   | 009400 19000             | HOLLOW HOLDING SCREW  |   |
|       | 450   | 768756 99626             | GAS BALLAST COMPLETELY - STANDARD                                       |   |
|       | 450.1 | 768754 99626             | GAS BALLAST COMPLETELY - OPTIONAL                                       |   |
|       | 460   | 012205 54200             | GAS BALLAST PIPING  |   |
|       | 469   | K2, K4                   | COPPER SEALING RING   |   |
|       | 480   | 548402 54200             | HOLLOW SCREW WITH NOZZLE - STANDARD                                     |   |
|       | 480.1 | 948401 00000             | HOLLOW SCREW WITHOUT NOZZLE - OPTIONAL                                  |   |
|       | 501   | 018311 54200             | HOOD  |   |
|       | 507   | 020800 54200             | AIR GUIDE HOOD  |   |
|       | 511   | 067100 54200             | LID - SUCTION VALVE   |   |
|       | 519   | K5                       | HEX HEAD SCREW - M8X20  |   |
|       | 525   | K5                       | COUNTERSUNK SCREW - M4X8  |   |
|       | 551   | 741310 60000             | BUMPER  |   |
|       | 557   | 948802 00000             | EYE BOLT - M10  |   |
|       | 700   | K3, K4                   | OIL SIGHT GLASS WITH GASKET   |   |
|       | 705   | K3, K4                   | SCREW PLUG  |   |
|       | 707   | 951203 00000             | SCREW PLUG  |   |
|       | 707.1 | 743421 04000             | THERMOSTAT - OPTIONAL   |   |
|       | 707.2 | 948033 00000             | COPPER SEALING RING   |   |
|       | 707.3 | 521601 99400             | BALL VALVE (WITH HOSE CONNECTION 19MM)                                  | 6)  |
|       | 710   | K3, K4                   | SCREW CAP   |   |
|       | 710.1 | 916801 99691             | MAINTENANCE INDICATOR - OPTIONAL  |   |
|       | 713   | K3, K4                   | STICKER   |   |
|       | 715   | 034900 54200             | DIVERTER  |   |
|       | 730   | 951221 00100             | SCREW PLUG  |   |
|       | 730.1 | 741107 99682             | LEVEL TRANSMITTER - OPTIONAL  |   |
|       | 750   | 543403 00000             | TEMPERATURE SENSOR / MOUNTING KIT - OPTIONAL                            |   |
|       | 803   | 902100 54200             | COUPLING (MOT)  |   |
|       | 809   | K5                       | HEX HEAD SCREW - M8X35  |   |
| 1)    |       | <b>K1 - 566500 54200</b> | → POS.: 219, 235, 269   |   |
| 2)    |       | <b>K2 - 549000 54200</b> | → POS.: 107, 131, 155, 187, 207, 217, 221, 269, 295, 297, 411, 469      |   |
| 3)    |       | <b>K3 - 566100 54200</b> | → POS.: 700, 705, 710, 713  |   |
| 4)    |       | <b>K4 - 566303 54200</b> | → POS.: K1, K2, K3 + 105, 113, 245, 247, 327                            |   |
| 5)    |       | <b>K5 - 966900 54200</b> | → POS.: 139, 151, 153, 183, 227, 229, 277, 281, 282, 283, 519, 525, 809 |   |
| 6)    |       |                          | OPTIONAL COMPONENT. PLEASE GLUE IN CASE OF SUBSEQUENT INSTALLATION!     |   |

| INDEX | Pos.      | No. d'identification | Designation                                   |    |
|-------|-----------|----------------------|---|----|
|       | <b>K1</b> | 566500 54200         | KIT DE MAINTENANCE                            | 1) |
|       | <b>K2</b> | 549000 54200         | JEU DE JOINTS                                 | 2) |
|       | <b>K3</b> | 566100 54200         | ENSEMBLE DE VOYANT D'HUILE                    | 3) |
|       | <b>K4</b> | 566303 54200         | KIT DE RÉPARATION                             | 4) |
|       | <b>K5</b> | 966900 54200         | KIT DE VISSERIE                               | 5) |
|       | 101       | 000103 54200         | CORP DE POMPE                                 |    |
|       | 103       | 020002 54200         | PISTON  |    |
|       | 105       | K4 (900504 00003)    | KIT DE PALETTES                               |    |
|       | 107       | K2, K4               | JOINT TORIQUE                                 |    |
|       | 110       | 500806 54200         | CAPOT LATÉRAL COMPLÈTEMENT, CÔTÉ ENTRAÎNEMENT |    |
|       | 113       | K4                   | PALIER LISSE                                  |    |
|       | 120       | 500706 54200         | CAPOT LATÉRAL COMPLÈTEMENT                    |    |
|       | 131       | K2, K4               | BAGUE D'ÉTANCHEITÉ                            |    |
|       | 133       | 948742 00000         | GOUPILLE CANNELÉE                             |    |
|       | 139       | K5                   | VIS ALLEN - M8X25                             |    |
|       | 145       | 033900 54200         | PLAQUE DES VANNES                             |    |
|       | 147       | 029101 54200         | PLAQUE D'ARRÊT                                |    |
|       | 151       | K5                   | RONDELLE                                      |    |
|       | 153       | K5                   | VIS ALLEN - M6X12                             |    |
|       | 155       | K2, K4               | JOINT TORIQUE                                 |    |
|       | 157       | 947807 00000         | CLAVETTE                                      |    |
|       | 159       | 741324 00000         | AMORTISSEUR CAOUTCHOUC                        |    |
|       | 160       | 537503 54200         | UNITÉ DE SOUPAPE D'ASPIRATION                 |    |
|       | 183       | K5                   | VIS ALLEN - M6X20                             |    |
|       | 185       | 911020 00000         | CONDUITE D'AIR FRAIS                          |    |
|       | 186       | 012209 54201         | DOUILLE DE TOLÉRANCE                          |    |
|       | 187       | K2, K4               | BAGUE D'ÉTANCHEITÉ EN CUIVRE                  |    |
|       | 201       | 002404 54200         | RÉSERVOIR D'HUILE                             |    |
|       | 207       | K2, K4               | JOINT   |    |
|       | 211       | 001700 54200         | COUVERCLE DU RÉSERVOIR D'HUILE                |    |
|       | 215       | 064800 54200         | ADAPTATEUR                                    |    |
|       | 217       | K2, K4               | JOINT TORIQUE                                 |    |
|       | 219       | K1, K4               | FILTRE D'HUILE                                |    |
|       | 221       | K2, K4               | BAGUE D'ÉTANCHEITÉ EN CUIVRE                  |    |
|       | 227       | K5                   | RONDELLE                                      |    |
|       | 229       | K5                   | VIS ALLEN - M6X50                             |    |
|       | 231       | 034103 99628         | VIS D'ANCRAGE                                 |    |
|       | 232       | 950184 00000         | DISQUE DE SERRAGE                             |    |
|       | 233       | 030700 54200         | DISQUE D'ÉTRANGLEMENT                         |    |
|       | 235       | K1, K4               | ELEMENT SEPARATION HUILE                      |    |
|       | 240       | 921500 50000         | POIGNEE                                       |    |
|       | 245       | K4                   | SEPARATEUR A GROS                             |    |
|       | 247       | K4                   | LAMIERA DA FILTRO                             |    |
|       | 251       | 502500 54200         | COUVERCLE DE SERVICE (STANDARD)               |    |
|       | 251.1     | 502502 54200         | COUVERCLE DE SERVICE (VARIANTE 1)             |    |
|       | 251.2     | 502501 54200         | COUVERCLE DE SERVICE (VARIANTE 2)             |    |
|       | 260       | 567803 99559         | FLOTTEUR COMPLÈTEMENT                         |    |
|       | 269       | K1, K2, K4           | JOINT   |    |
|       | 271       | 003700 54200         | COUVERCLE DE MAINTENANCE (STANDARD)           |    |
|       | 271.1     | 503700 54200         | " (AVEC CONNEXION D'ÉCHAPPEMENT ET SOUPAPE)   |    |
|       | 277       | K5                   | VIS ALLEN - M6X65                             |    |
|       | 281       | K5                   | GOUJON PRISONNIER - M8X20                     |    |
|       | 282       | K5                   | RONDELLE                                      |    |
|       | 283       | K5                   | ÉCROU HEXAGONAL - M8                          |    |



| INDEX | Pos.  | No. d'identification | Designation   |
|-------|-------|----------------------|---|
|       | 284   | 512211 54200         | TUYAU   |
|       | 290   | 012207 54200         | TUYAU   |
|       | 295   | K2, K4               | BAGUE D'ÉTANCHÉITÉ EN CUIVRE                        |
|       | 296   | 948402 00000         | VIS CREUSE  |
|       | 297   | 936353 00000         | BAGUE D'ÉTANCHÉITÉ EN CUIVRE                        |
|       | 301   | 053201 54200         | BRIDE DE RACCORDEMENT                               |
|       | 307   | 947628 01000         | CHEVILLE CYLINDRIQUE                                |
|       | 310   | 502301 54200         | ACCOUPLLEMENT AVEC VENTILATEUR                      |
|       | 323   | 016801 54200         | RONDELLE DE SERRAGE                                 |
|       | 325   | 901809 00000         | VIS BOUT D'ARBRE                                    |
|       | 327   | K4 (902200 54200)    | DISQUE D'ACCOUPLLEMENT                              |
|       | 329   | 014900 54200         | BRIDE DU MOTEUR                                     |
|       | 335   | 960203 54200         | REFROIDISSEUR                                       |
|       | 350   | 012208 54200         | TUYAU   |
|       | 401   | 012206 54200         | CONDUITE D'ASPIRATION                               |
|       | 411   | K2, K4               | RONDELLE  |
|       | 415   | 009400 19000         | VIS CREUSE DE FIXATION                              |
|       | 450   | 768756 99626         | L'ESTE D'AIR COMPLÈTEMENT - STANDARD                |
|       | 450.1 | 768754 99626         | L'ESTE D'AIR COMPLÈTEMENT - EN OPTION               |
|       | 460   | 012205 54200         | TUYAU L'ESTE D'AIR                                  |
|       | 469   | K2, K4               | BAGUE D'ÉTANCHÉITÉ EN CUIVRE                        |
|       | 480   | 548402 54200         | VIS CREUSE AVEC AJUTAGE - STANDARD                  |
|       | 480.1 | 948401 00000         | VIS CREUSE SANS AJUTAGE - EN OPTION                 |
|       | 501   | 018311 54200         | CAPOT   |
|       | 507   | 020800 54200         | CAPOT DE CANALISATION DE L'AIR                      |
|       | 511   | 067100 54200         | COUVERCLE - SOUPAPE D'ASPIRATION                    |
|       | 519   | K5                   | VIS ALLEN - M8X20                                   |
|       | 525   | K5                   | VIS À TÊTE NOYÉE - M4X8                             |
|       | 551   | 741310 60000         | AMORTISSEUR CAOUTCHOUC                              |
|       | 557   | 948802 00000         | ANNEAU À VIS - M10                                  |
|       | 700   | K3, K4               | VOYANT D'HUILE AVEC JOINT                           |
|       | 705   | K3, K4               | BOUCHON FILETÉ                                      |
|       | 707   | 951203 00000         | BOUCHON FILETÉ                                      |
|       | 707.1 | 743421 04000         | THERMOSTAT - EN OPTION                              |
|       | 707.2 | 948033 00000         | BAGUE D'ÉTANCHÉITÉ EN CUIVRE                        |
|       | 707.3 | 521601 99400         | ROBINET À ROTULE (AVEC RACCORD DE TUYAU 19MM)       |
|       | 710   | K3, K4               | COUVERCLE À VIS                                     |
|       | 710.1 | 916801 99691         | ENTRETIEN ANNONCEURS - EN OPTION                    |
|       | 713   | K3, K4               | AUTOCOLLANT   |
|       | 715   | 034900 54200         | BOUCHON DE DÉFLEXION                                |
|       | 730   | 951221 00100         | BOUCHON FILETÉ                                      |
|       | 730.1 | 741107 99682         | CAPTEUR DE NIVEAU - EN OPTION                       |
|       | 750   | 543403 00000         | CAPTEUR DE TEMPÉRATURE / KIT DE MONTAGE - EN OPTION |
|       | 803   | 902100 54200         | ACCOUPLLEMENT (MOT)                                 |
|       | 809   | K5                   | VIS ALLEN - M8X35                                   |

<sup>1)</sup> **K1 - 566500 54200 → POS.: 219, 235, 269**

<sup>2)</sup> **K2 - 549000 54200 → POS.: 107, 131, 155, 187, 207, 217, 221, 269, 295, 297, 411, 469**

<sup>3)</sup> **K3 - 566100 54200 → POS.: 700, 705, 710, 713**

<sup>4)</sup> **K4 - 566303 54200 → POS.: K1, K2, K3 + 105, 113, 245, 247, 327**

<sup>5)</sup> **K5 - 966900 54200 → POS.: 139, 151, 153, 183, 227, 229, 277, 281, 282, 283, 519, 525, 809**

<sup>6)</sup> **COMPOSANT OPTIONNEL. S'IL VOUS PLAÎT COLLER EN CAS D'INSTALLATION ULTÉRIEURE!**

| INDEX | Pos.      | No. identificazione | Designazione                                       |    |
|-------|-----------|---------------------|--|----|
|       | <b>K1</b> | 566500 54200        | KIT DI MANUTENZIONE                                | 1) |
|       | <b>K2</b> | 549000 54200        | KIT DI GUARNIZIONI                                 | 2) |
|       | <b>K3</b> | 566100 54200        | KIT DI SPIA LIVELLO OLIO                           | 3) |
|       | <b>K4</b> | 566303 54200        | KIT DI RIPARAZIONE                                 | 4) |
|       | <b>K5</b> | 966900 54200        | KIT DI VITI  | 5) |
|       | 101       | 000103 54200        | CARCASSA   |    |
|       | 103       | 020002 54200        | ROTORE   |    |
|       | 105       | K4 (900504 00003)   | KIT DI PALETTE                                     |    |
|       | 107       | K2, K4              | GUARNIZIONE CIRCOLARE                              |    |
|       | 110       | 500806 54200        | COPERCHIO LATERALE COMPLETAMENTO, LATO AZIONAMENTO |    |
|       | 113       | K4                  | CUSCINETTO A STRISCIAMENTO                         |    |
|       | 120       | 500706 54200        | COPERCHIO LATERALE COMPLETAMENTO                   |    |
|       | 131       | K2, K4              | ANELLO DI GUARNIZIONE                              |    |
|       | 133       | 948742 00000        | SPINA SCANALATA                                    |    |
|       | 139       | K5                  | VITE ESAGONALE INTERNA - M8X25                     |    |
|       | 145       | 033900 54200        | PIASTRA VALVOLE                                    |    |
|       | 147       | 029101 54200        | LIMITATORE DELLA VALVOLA                           |    |
|       | 151       | K5                  | RONDELLA   |    |
|       | 153       | K5                  | VITE ESAGONALE INTERNA - M6X12                     |    |
|       | 155       | K2, K4              | GUARNIZIONE CIRCOLARE                              |    |
|       | 157       | 947807 00000        | CHIAVETTA  |    |
|       | 159       | 741324 00000        | PINGENTE DI GOMMA                                  |    |
|       | 160       | 537503 54200        | GRUPPO VALVOLARE DI ASPIRAZIONE                    |    |
|       | 183       | K5                  | VITE ESAGONALE INTERNA - M6X20                     |    |
|       | 185       | 911020 00000        | CONDUTTURA D'ARIA ADDIZIONALE                      |    |
|       | 186       | 012209 54201        | BUSSOLA DI TOLLERANZA                              |    |
|       | 187       | K2, K4              | ANELLO DI TENUTA DI RAME                           |    |
|       | 201       | 002404 54200        | SERBATOIO DELL'OLIO                                |    |
|       | 207       | K2, K4              | GUARNIZIONE  |    |
|       | 211       | 001700 54200        | COPERCHIO DEL SERBATOIO OLIO                       |    |
|       | 215       | 064800 54200        | ADATTATORE   |    |
|       | 217       | K2, K4              | GUARNIZIONE CIRCOLARE                              |    |
|       | 219       | K1, K4              | FILTRO D'OLIO                                      |    |
|       | 221       | K2, K4              | ANELLO DI TENUTA DI RAME                           |    |
|       | 227       | K5                  | RONDELLA   |    |
|       | 229       | K5                  | VITE ESAGONALE INTERNA - M6X50                     |    |
|       | 231       | 034103 99628        | CHIAVARDA D'ANCORAGGIO                             |    |
|       | 232       | 950184 00000        | DISCO DI BLOCCAGGIO                                |    |
|       | 233       | 030700 54200        | DISCO ACCELERATORE                                 |    |
|       | 235       | K1, K4              | CARTUCCIA SEPARATORE OLIO                          |    |
|       | 240       | 921500 50000        | MANETTA  |    |
|       | 245       | K4                  | SEPARATORE GROSSOLANO                              |    |
|       | 247       | K4                  | STACCIO PANNO DA FILTRO                            |    |
|       | 251       | 502500 54200        | COPERCHIO DI SERVIZIO (STANDARD)                   |    |
|       | 251.1     | 502502 54200        | COPERCHIO DI SERVIZIO (VARIANTE 1)                 |    |
|       | 251.2     | 502501 54200        | COPERCHIO DI SERVIZIO (VARIANTE 2)                 |    |
|       | 260       | 567803 99559        | GALLEGGIANTE COMPLETAMENTO                         |    |
|       | 269       | K1, K2, K4          | GUARNIZIONE  |    |
|       | 271       | 003700 54200        | COPERCHIO DI MANUTENZIONE (STANDARD)               |    |
|       | 271.1     | 503700 54200        | " (CON CONNESSIONE DI SFIATO E VALVOLA)            |    |
|       | 277       | K5                  | VITE ESAGONALE INTERNA - M6X65                     |    |
|       | 281       | K5                  | VITE PRIGIONIERA - M8X20                           |    |
|       | 282       | K5                  | RONDELLA   |    |
|       | 283       | K5                  | DADO ESAGONALE - M8                                |    |

| INDEX | Pos.  | No. identificazione | Designazione   |
|-------|-------|---------------------|--|
|       | 284   | 512211 54200        | CONDOTTO   |
|       | 290   | 012207 54200        | CONDOTTO   |
|       | 295   | K2, K4              | ANELLO DI TENUTA DI RAME                               |
|       | 296   | 948402 00000        | COLLEGAMENTO A VITE                                    |
|       | 297   | 936353 00000        | ANELLO DI TENUTA DI RAME                               |
|       | 301   | 053201 54200        | FLANGIA DI RACCORDE                                    |
|       | 307   | 947628 01000        | SPINA CILINDRICA                                       |
|       | 310   | 502301 54200        | GIUNTO CON VENTILATORE                                 |
|       | 323   | 016801 54200        | RONDELLA DI SERRAGGIO                                  |
|       | 325   | 901809 00000        | VITE DI CHIUSURA ALBERO                                |
|       | 327   | K4 (902200 54200)   | DISCO GIUNTO   |
|       | 329   | 014900 54200        | FLANGIA MOTORE   |
|       | 335   | 960203 54200        | RAFFREDDATORE  |
|       | 350   | 012208 54200        | CONDOTTO   |
|       | 401   | 012206 54200        | CONDOTTA DI ASPIRAZIONE                                |
|       | 411   | K2, K4              | RONDELLA   |
|       | 415   | 009400 19000        | VITE PASSAGGIO OLIO                                    |
|       | 450   | 768756 99626        | VALVOLA DI ZAVORATRICE COMPLETAMENTO - STANDARD        |
|       | 450.1 | 768754 99626        | VALVOLA DI ZAVORATRICE COMPLETAMENTO - OPTIONALE       |
|       | 460   | 012205 54200        | CONDOTTO VALVOLA DI ZAVORATRICE                        |
|       | 469   | K2, K4              | ANELLO DI TENUTA DI RAME                               |
|       | 480   | 548402 54200        | VITE CAVA CON UGELLO - STANDARD                        |
|       | 480.1 | 948401 00000        | VITE CAVA SENZA UGELLO - OPTIONALE                     |
|       | 501   | 018311 54200        | CAPOTTA  |
|       | 507   | 020800 54200        | CAPPOTTA DEL CONDOTTA ARIA                             |
|       | 511   | 067100 54200        | COPERCHIO - VALVOLA ASPIRANTE                          |
|       | 519   | K5                  | VITE ESAGONALE INTERNA - M8X20                         |
|       | 525   | K5                  | VITE A TESTA SVASATA - M4X8                            |
|       | 551   | 741310 60000        | PINGENTE DI GOMMA                                      |
|       | 557   | 948802 00000        | VITE AD ANELLO - M10                                   |
|       | 700   | K3, K4              | SPIA LIVELLO OLIO CON GUARNIZIONE                      |
|       | 705   | K3, K4              | TAPPO A VITE   |
|       | 707   | 951203 00000        | TAPPO A VITE   |
|       | 707.1 | 743421 04000        | TERMOSTATO - OPTIONALE                                 |
|       | 707.2 | 948033 00000        | ANELLO DI TENUTA DI RAME                               |
|       | 707.3 | 521601 99400        | VALVOLA A SFERA (CON ATTACCO PER TUBO FLESSIBILE 19MM) |
|       | 710   | K3, K4              | COPERCHIO A VITE                                       |
|       | 710.1 | 916801 99691        | INDICATORI DI MANUTENZIONE - OPTIONALE                 |
|       | 713   | K3, K4              | AUTOADESIVO  |
|       | 715   | 034900 54200        | CAP DEFLESSIONE  |
|       | 730   | 951221 00100        | TAPPO A VITE   |
|       | 730.1 | 741107 99682        | INDICATORE DI LIVELLO - OPTIONALE                      |
|       | 750   | 543403 00000        | SENSORE DI TEMPERATURA / KIT DI MONTAGGIO - OPTIONALE  |
|       | 803   | 902100 54200        | GIUNTO (MOT)   |
|       | 809   | K5                  | VITE ESAGONALE INTERNA - M8X35                         |

<sup>1)</sup> **K1** - 566500 54200 → POS.: 219, 235, 269

<sup>2)</sup> **K2** - 549000 54200 → POS.: 107, 131, 155, 187, 207, 217, 221, 269, 295, 297, 411, 469

<sup>3)</sup> **K3** - 566100 54200 → POS.: 700, 705, 710, 713

<sup>4)</sup> **K4** - 566303 54200 → POS.: K1, K2, K3 + 105, 113, 245, 247, 327

<sup>5)</sup> **K5** - 966900 54200 → POS.: 139, 151, 153, 183, 227, 229, 277, 281, 282, 283, 519, 525, 809

<sup>6)</sup> COMPONENTE OPZIONALE. SI PREGA DI INCOLLARE IN CASO DI SUCCESSIVA INSTALLAZIONE!

| INDEX | Pos.      | No. de pedido     | Descripción   |  |
|-------|-----------|-------------------|---|---|
|       | <b>K1</b> | 566500 54200      | KIT DE MANTENIMIENTO                                  | 1)  |
|       | <b>K2</b> | 549000 54200      | KIT DE JUNTAS   | 2)  |
|       | <b>K3</b> | 566100 54200      | KIT DE MIRILLA DE ACEITE                              | 3)  |
|       | <b>K4</b> | 566303 54200      | KIT DE REPARACIÓN                                     | 4)  |
|       | <b>K5</b> | 966900 54200      | KIT DE TORNILLO                                       | 5)  |
|       | 101       | 000103 54200      | CARCASA   |   |
|       | 103       | 020002 54200      | ÉMBOLO  |   |
|       | 105       | K4 (900504 00003) | KIT DE EMPUJADOR                                      |   |
|       | 107       | K2, K4            | JUNTA TOROIDAL  |   |
|       | 110       | 500806 54200      | CUBIERTA LATERAL COMPLETAMENTE, LADO DE ACCIONAMIENTO |   |
|       | 113       | K4                | COJINETE DE ROZAMIENTO                                |   |
|       | 120       | 500706 54200      | CUBIERTA LATERAL COMPLETAMENTE                        |   |
|       | 131       | K2, K4            | ANILLO DE RETÉN RADIAL                                |   |
|       | 133       | 948742 00000      | PASADOR RANURADO                                      |   |
|       | 139       | K5                | TORNILLO HEXAGONAL INTERIOR - M8X25                   |   |
|       | 145       | 033900 54200      | PLACA DE VÁLVULA                                      |   |
|       | 147       | 029101 54200      | PLACA DE TOPE   |   |
|       | 151       | K5                | ARANDELA  |   |
|       | 153       | K5                | TORNILLO HEXAGONAL INTERIOR - M6X12                   |   |
|       | 155       | K2, K4            | JUNTA TOROIDAL  |   |
|       | 157       | 947807 00000      | CHAVETA   |   |
|       | 159       | 741324 00000      | AMORTIGUADOR DE CAUCHO                                |   |
|       | 160       | 537503 54200      | UNIDAD DE VÁLVULA DE ASPIRACIÓN                       |   |
|       | 183       | K5                | TORNILLO HEXAGONAL INTERIOR - M6X20                   |   |
|       | 185       | 911020 00000      | TUBERÍA DE AIRE ADICIONAL                             |   |
|       | 186       | 012209 54201      | CASQUILLO DE TOLERANCIA                               |   |
|       | 187       | K2, K4            | ANILLO DE JUNTA DE COBRE                              |   |
|       | 201       | 002404 54200      | RECIPIENTE DE ACEITE                                  |   |
|       | 207       | K2, K4            | JUNTA   |   |
|       | 211       | 001700 54200      | TAPA DE RECIPIENTE DE ACEITE                          |   |
|       | 215       | 064800 54200      | ADAPTADOR   |   |
|       | 217       | K2, K4            | JUNTA TOROIDAL  |   |
|       | 219       | K1, K4            | FILTRO DE ACEITE                                      |   |
|       | 221       | K2, K4            | ANILLO DE JUNTA DE COBRE                              |   |
|       | 227       | K5                | ARANDELA  |   |
|       | 229       | K5                | TORNILLO HEXAGONAL INTERIOR - M6X50                   |   |
|       | 231       | 034103 99628      | TORNILLO DE ANCLAJE                                   |   |
|       | 232       | 950184 00000      | DISCO DE SUJECCIÓN                                    |   |
|       | 233       | 030700 54200      | DISCO DEL ACELERADOR                                  |   |
|       | 235       | K1, K4            | ELEMENTO DE DESACEITAR DE AIRE                        |   |
|       | 240       | 921500 50000      | EMPUÑADURA  |   |
|       | 245       | K4                | SEPARADOR DE SÓLIDOS GRUESOS                          |   |
|       | 247       | K4                | CHAPA DE FILTRO                                       |   |
|       | 251       | 502500 54200      | CUBIERTA DE SERVICIO (STANDARD)                       |   |
|       | 251.1     | 502502 54200      | CUBIERTA DE SERVICIO (VARIANTE 1)                     |   |
|       | 251.2     | 502501 54200      | CUBIERTA DE SERVICIO (VARIANTE 2)                     |   |
|       | 260       | 567803 99559      | FLOTADOR COMPLETAMENTE                                |   |
|       | 269       | K1, K2, K4        | JUNTA   |   |
|       | 271       | 003700 54200      | CUBIERTA DE MANTENIMIENTO (STANDARD)                  |   |
|       | 271.1     | 503700 54200      | " (CON CONEXIÓN DE ESCAPE Y VÁLVULA)                  |   |
|       | 277       | K5                | TORNILLO HEXAGONAL INTERIOR - M6X65                   |   |
|       | 281       | K5                | ESPÁRRAGO - M8X20                                     |   |
|       | 282       | K5                | ARANDELA  |   |
|       | 283       | K5                | TUERCA HEXAGONAL - M8                                 |   |

| INDEX | Pos.  | No. de pedido     | Descripción  |  |
|-------|-------|-------------------|--|---|
|       | 284   | 512211 54200      | CONDUCTO   |   |
|       | 290   | 012207 54200      | CONDUCTO   |   |
|       | 295   | K2, K4            | ANILLO DE JUNTA DE COBRE                           |   |
|       | 296   | 948402 00000      | TORNILLO HUECO                                     |   |
|       | 297   | 936353 00000      | ANILLO DE JUNTA DE COBRE                           |   |
|       | 301   | 053201 54200      | FAROL  |   |
|       | 307   | 947628 01000      | PASADOR CILÍNDRICO                                 |   |
|       | 310   | 502301 54200      | ACOPLAMIENTO DE SOPLADO CON VÁLVULA                |   |
|       | 323   | 016801 54200      | DISCO DE REFUERZO                                  |   |
|       | 325   | 901809 00000      | TORNILLO TEERMINAL DE ARBOL                        |   |
|       | 327   | K4 (902200 54200) | DISCO DE ACOPLAMIENTO                              |   |
|       | 329   | 014900 54200      | BRIDA DEL MOTOR                                    |   |
|       | 335   | 960203 54200      | REFRIGERADOR                                       |   |
|       | 350   | 012208 54200      | CONDUCTO   |   |
|       | 401   | 012206 54200      | CONDUCTO DE ASPIRACIÓN                             |   |
|       | 411   | K2, K4            | ARANDELA   |   |
|       | 415   | 009400 19000      | TORNILLO DE PIEZA ESFÉRICA                         |   |
|       | 450   | 768756 99626      | VÁLVULA DE LASTRE DE GAS COMPLETAMENTE - STANDARD  |   |
|       | 450.1 | 768754 99626      | VÁLVULA DE LASTRE DE GAS COMPLETAMENTE - OPCIONAL  |   |
|       | 460   | 012205 54200      | CONDUCTO VÁLVULA DE LASTRE DE GAS                  |   |
|       | 469   | K2, K4            | ANILLO DE JUNTA DE COBRE                           |   |
|       | 480   | 548402 54200      | TORNILLO HUECO CON TORNILLO HUECO - STANDARD       |   |
|       | 480.1 | 948401 00000      | TORNILLO HUECO SIN TORNILLO HUECO - OPCIONAL       |   |
|       | 501   | 018311 54200      | CUBIERTA   |   |
|       | 507   | 020800 54200      | CAPERUZA CONDUCTOR DE AIRE                         |   |
|       | 511   | 067100 54200      | TAPA - VÁLVULA DE ASPIRACIÓN                       |   |
|       | 519   | K5                | TORNILLO HEXAGONAL INTERIOR - M8X20                |   |
|       | 525   | K5                | TORNILLO DE CABEZA AVELLANADA - M4X8               |   |
|       | 551   | 741310 60000      | AMORTIGUADOR DE CAUCHO                             |   |
|       | 557   | 948802 00000      | TORNILLO CON ANILLA - M10                          |   |
|       | 700   | K3, K4            | CRISTAL MIRILLA DE ACEITE CON JUNTA                |   |
|       | 705   | K3, K4            | TAPÓN ROSCADO                                      |   |
|       | 707   | 951203 00000      | TAPÓN ROSCADO                                      |   |
|       | 707.1 | 743421 04000      | TERMOSTATO - OPCIONAL                              |   |
|       | 707.2 | 948033 00000      | ANILLO DE JUNTA DE COBRE                           |   |
|       | 707.3 | 521601 99400      | VÁLVULA DE BOLA (CON CONEXIÓN DE MANGUERA DE 19MM) | 6)  |
|       | 710   | K3, K4            | TAPA DE ROSCA                                      |   |
|       | 710.1 | 916801 99691      | INDICADORES DE MANTENIMIENTO - OPCIONAL            |   |
|       | 713   | K3, K4            | PEGATINA   |   |
|       | 715   | 034900 54200      | TAPA DE DEFLEXIÓN                                  |   |
|       | 730   | 951221 00100      | TAPÓN ROSCADO                                      |   |
|       | 730.1 | 741107 99682      | CODIFICADOR DE NIVEL - OPCIONAL                    |   |
|       | 750   | 543403 00000      | SENSOR DE TEMPERATURA / KIT DE MONTAJE - OPCIONAL  |   |
|       | 803   | 902100 54200      | MITAD DE ACOPLAMIENTO (MOT)                        |   |
|       | 809   | K5                | TORNILLO HEXAGONAL INTERIOR - M8X35                |   |

<sup>1)</sup> **K1** - 566500 54200 → POS.: 219, 235, 269

<sup>2)</sup> **K2** - 549000 54200 → POS.: 107, 131, 155, 187, 207, 217, 221, 269, 295, 297, 411, 469

<sup>3)</sup> **K3** - 566100 54200 → POS.: 700, 705, 710, 713

<sup>4)</sup> **K4** - 566303 54200 → POS.: K1, K2, K3 + 105, 113, 245, 247, 327

<sup>5)</sup> **K5** - 966900 54200 → POS.: 139, 151, 153, 183, 227, 229, 277, 281, 282, 283, 519, 525, 809

<sup>6)</sup> COMPONENTE OPCIONAL. POR FAVOR PEGUE EN CASO DE INSTALACIÓN POSTERIOR



28000054230 | 2022-01-13 | All rights reserved

**MAKE IT BECKER**