

DATA SHEET

**U 5.71**

# ROTARY VANE- VACUUM PUMPS

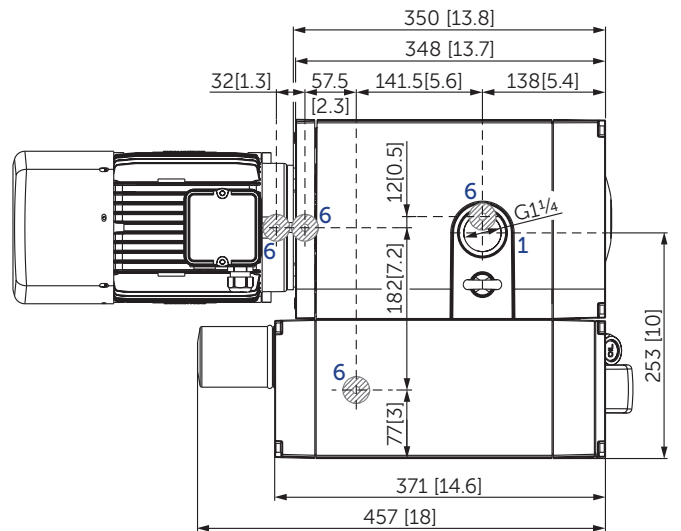
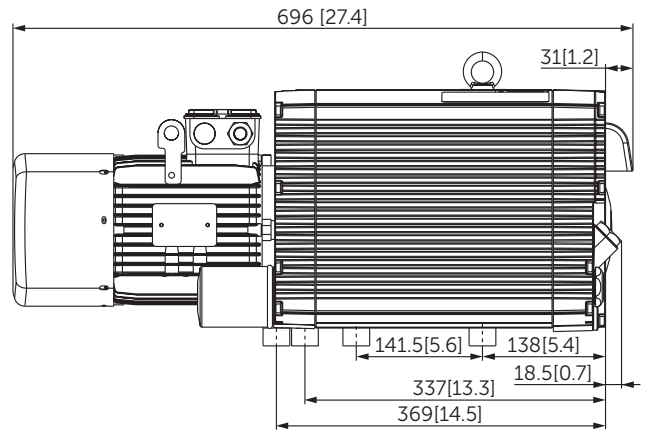
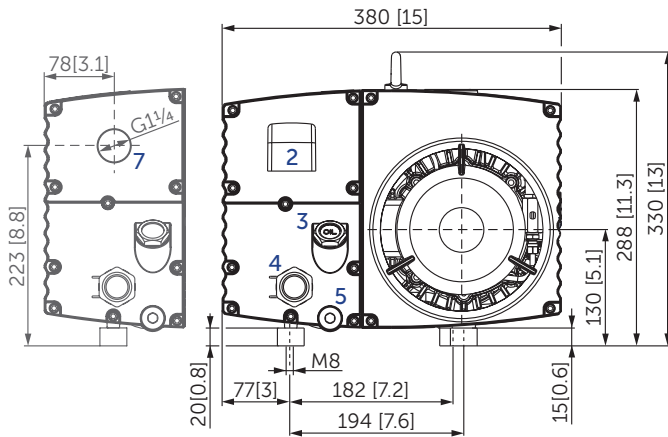
oil-lubricated

air-cooled

---

**MAKE IT BECKER.**





- 1 Vacuum connection (G1¼)
- 2 Exhaust air (diverter)
- 3 Oil filler cap (G¾)
- 4 Oil sight glas (G1)
- 5 Screw plug for oil drain (G½)
- 6 Rubber buffer position
- 7 optional: threaded connector for exhaust air (G1¼)
  - incl. gas ballast valve, non-return valve, oil separator and oil filter
  - The motor illustration may vary
  - Dimensions in mm [inch]

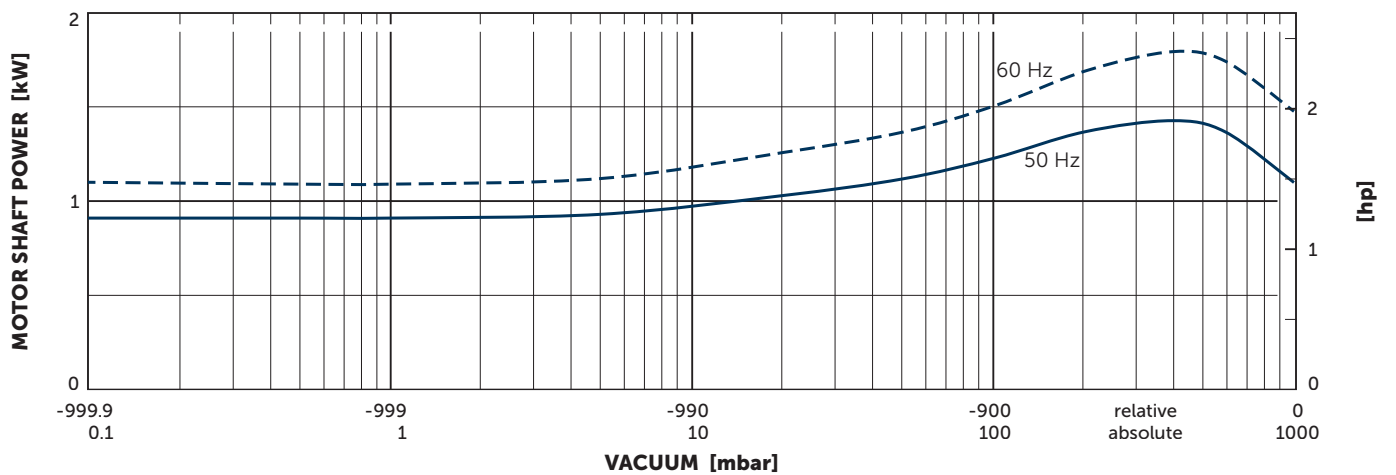
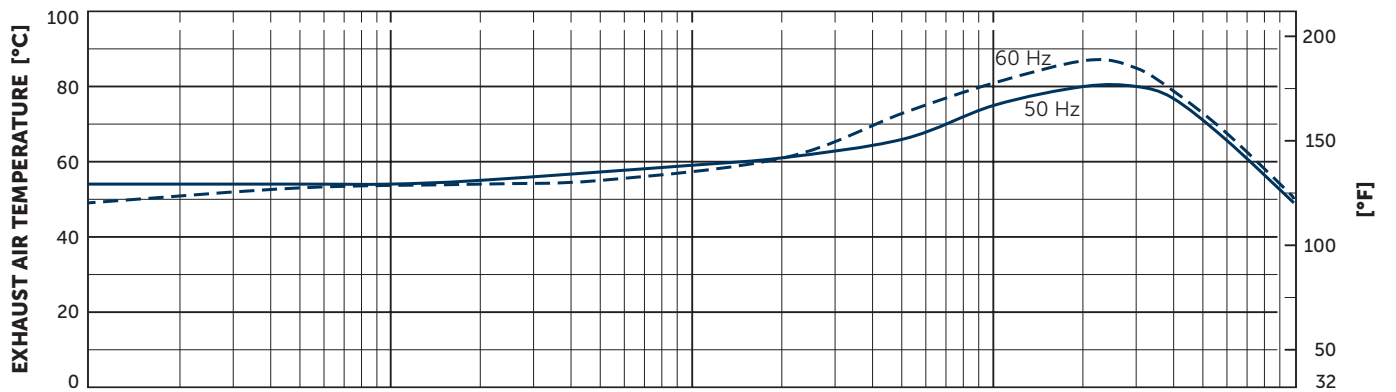
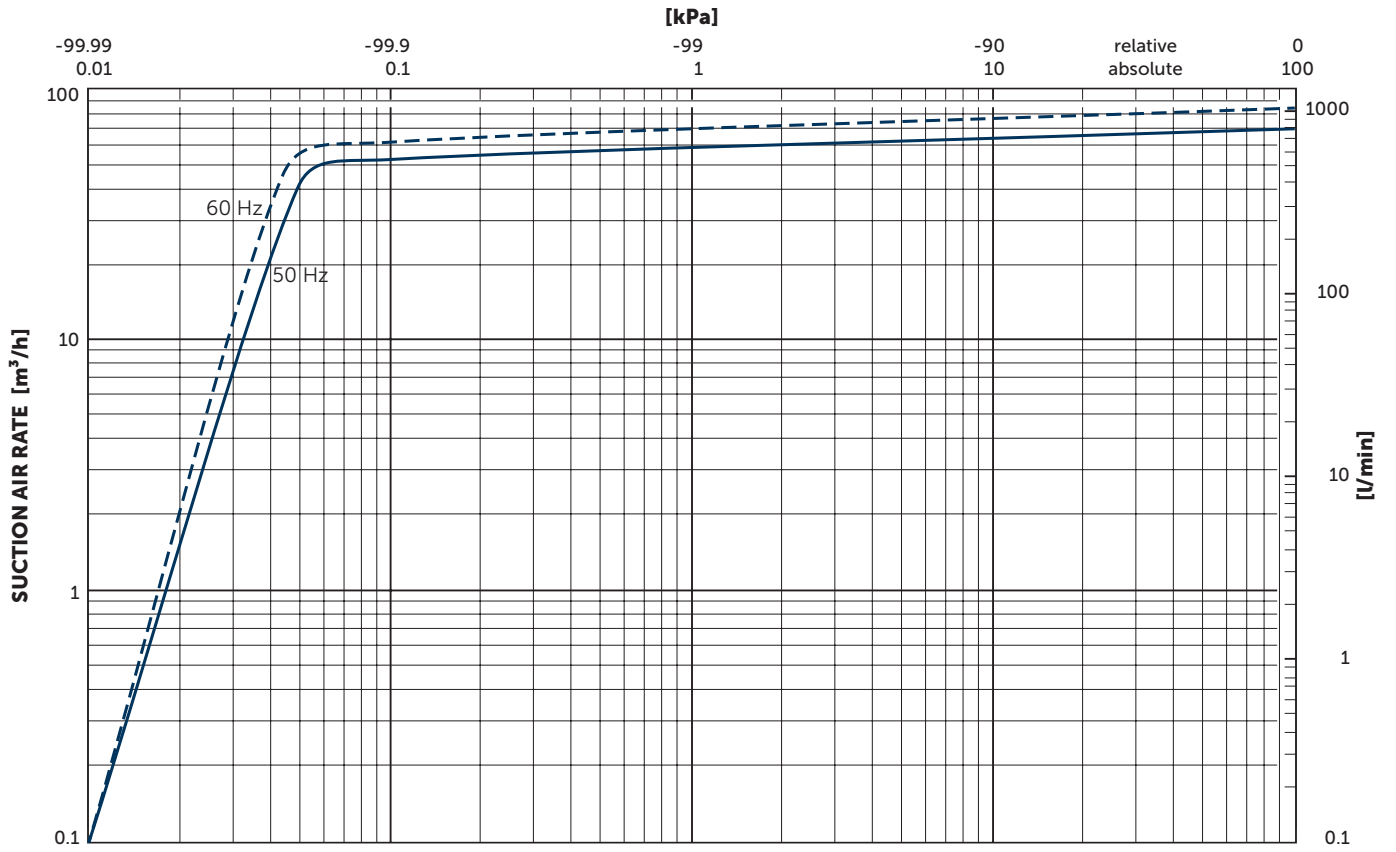
Nominal capacity		Vacuum absolute for continous operation		Emission sound pressure level <sup>1)</sup>		Weight	Oil <sup>2)</sup>
m <sup>3</sup> /h		mbar		dB(A)		kg	l
50 Hz	60 Hz	50 Hz	60 Hz	50 Hz	60 Hz		
70	84	<0.1–400	<0.1–400	64	67	60.5	2

<sup>1)</sup> According to DIN EN ISO 11203, accuracy class of measurement: class 2, extended measurement uncertainty: 3 dB  
1 m [39.4 inch] distance, at medium load, both connection sides piped

<sup>2)</sup> Becker Lube M100 mineral • S100 synthetic • SL100 food

▪ Gas ballast valve: vacuum 1,0 mbar absolute with opened gas ballast valve; water vapour tolerance max. 7 mbar; water vapour capacity max. 0.45 l/h (at 85°C operating temperature)

3~ Motors											
#	50 Hz					60 Hz					Version
	kW	V	IE3	min <sup>-1</sup>	A	kW	V	IE3	min <sup>-1</sup>	A	
01	1.5	Δ230/Y400	IE3	1420	6.4/3.7	1.8	Δ265/Y460 Δ230/Y400	IE3	1715 1675	6.4/3.7 6.9/4.0	UL(E365362) • CSA IP55 • ISO F • bimetal
02						1.8	YY230/Y460 YY208	IE3	1730 1705	6.8/3.4 7.0	UL(E365362) • CSA IP55 • ISO F • bimetal
03	1.5	Δ200/Y350		1440	7.4/4.3	1.8	Δ220/Y380-400 Δ200/Y350	IE3	1725 1705	7.3/4.2-4.0 7.6/4.4	UL(E365362) • CSA IP55 • ISO F • bimetal
04						1.8	Δ400/Y690	IE3	1715	4.2/2.4	UL(E365362) • CSA IP55 • ISO F • bimetal
05	1.5	Δ250/Y500	IE3	1430	5.2/3.0	1.8	Δ330/Y575	IE3	1715	5.3/3.1	UL(E365362) • CSA IP55 • ISO F • bimetal



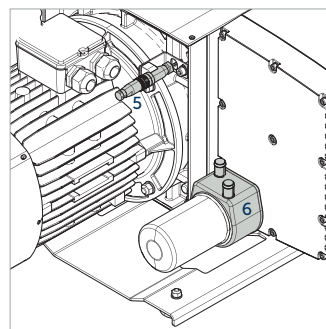
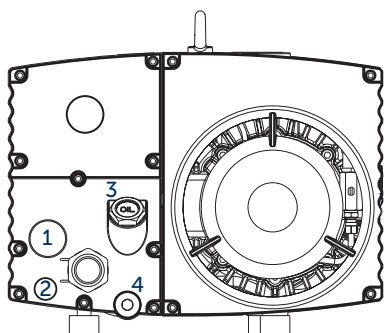
Suction air rate refers to the intake pressure  
 Reference data (atmosphere): 1000 mbar (100 kPa), 20°C (68°F)  
 Tolerance: ±10%

## + VARIANTS AND ACCESSORIES

- Optional **GAS BALLAST VALVE** for increased water vapour tolerance (3.0 mbar absolute)  
water vapour tolerance: max. 36 mbar; water vapour capacity: max. 1.1 l/h (at 85°C operating temperature)
- **THREADED CONNECTOR** for exhaust air (G1¼)
- **U 5.71 O2-PACK**<sup>1)</sup> for packaging with an overconcentration of oxygen

### ACCESSORIES

- External suction filter<sup>1)</sup>
- Oil: Becker Lube M100 mineral, S100 synthetic and SL100 food



- 1 Oil level switch<sup>1)</sup> (G1)
- 2 Oil temperature monitor<sup>1)</sup> (G½)
- 3 Maintenance indicator<sup>1)</sup> (G¾) for oil separating elements
- 4 Ball valve (G½), with locking and hose connector 19 mm [0.75 inch]
- 5 Temperature sensor PT100
- 6 Water cooler U5.100-0-114.2<sup>1)</sup>



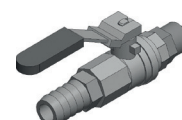
Oil level switch



Oil temperature monitor



Maintenance indicator



Ball valve

<sup>1)</sup> See separate data sheet

- Combination options on request



**MAKE IT BECKER.**