

Betriebsanleitung
 Operating Instructions
 Instructions de service
 Istruzioni d'uso
 Handleiding
 Instrucciones para el manejo
 Manual de instruções
 Naudojimosi instrukcija
 Kasutusjuhend
 Lietošanas instrukcija
 Driftsinstruks
 Driftsinstruktioner
 Käyttöohje
 Driftsvejledning
 Instrukcja obsługi

Kezelési útmutató
 Návod k obsluze
 Navodilo za uporabo
 Návod na obsluhu
 Upute za rad
 Manual de operatii
 Treoracha Oibriúcháin
 Οδηγίες χρήσης
 El Kitabi
 Инструкции за експлоатация
 Инструкция по эксплуатации
 取扱説明書
 사용설명서
 使用说明书

2006/42/EG




DIN EN ISO 14001:2005

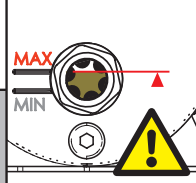


DIN EN ISO 9001
001929 QM

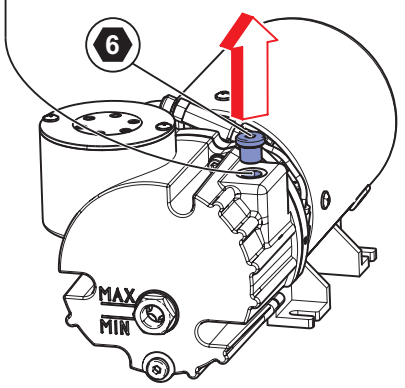
<p>E.4</p> <p>0.25 Liter</p>	<p>duty type</p> <p>S3 S4 S10</p> <p>S3 ▶ max. 85%/10min</p> <p>Max. Vacuum -</p>
<p><input checked="" type="checkbox"/> AIR</p> <p>1</p>	<p>BECKER D-42279 Wuppertal www.becker-international.com</p> <p>type _____ year _____ No. _____</p> <p>frequency _____ Hz speed _____ min⁻¹ power required _____ kW inlet capacity MAX. V m³/h max. vacuum MAX VACUUM mbar</p>

<p>3</p> <p>10 kg 22 lbs</p>	<p>35°C/95°F 5°C/41°F</p> <p>INLET AIR</p> <p>40°C/104°F 0°C/32°F</p>	<p>max. 90% rel. max. 1000m ↑</p> <p>A > 100mm A > 4"</p>
	<p>4</p>	


E.4  **0.25 Liter**



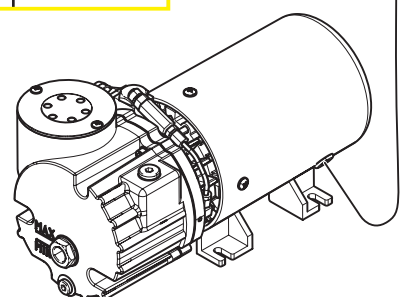
5




Mate-N-Lok



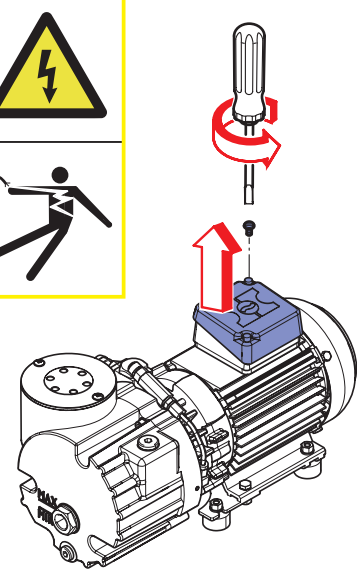
1 ph



6



3 ph



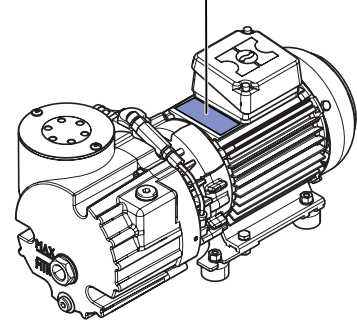
6.1

i+

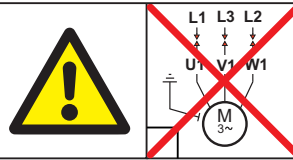
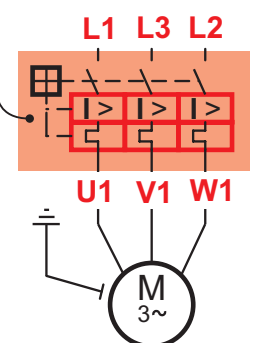
BECKER Mat.Nr. XXXXXX ENXXXX
3~Mot. XXXXXXXX

50 Hz	XXXkW	60 Hz	XXXkW
XXX-XXX / XXX-XXX V Δ / Y		XXX-XXX / XXX-XXX V Δ / Y	
XX-XX / XX-XX A		XX-XX / XX-XX A	
cos φ 0.XX-0.XX		cos φ 0.XX-0.XX	
XXXX-XXXX /min		XXXX-XXXX /min	

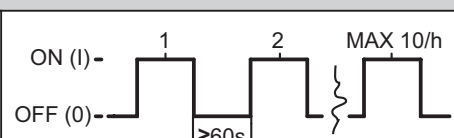
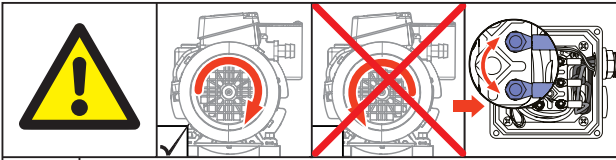
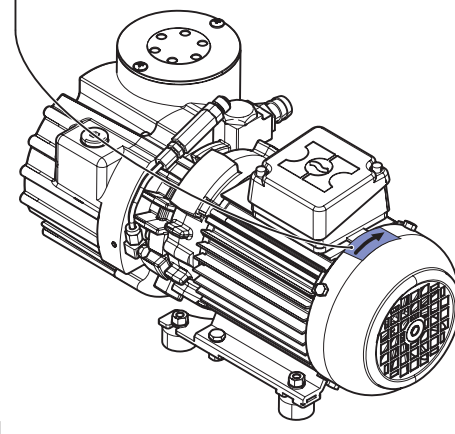
XX kg



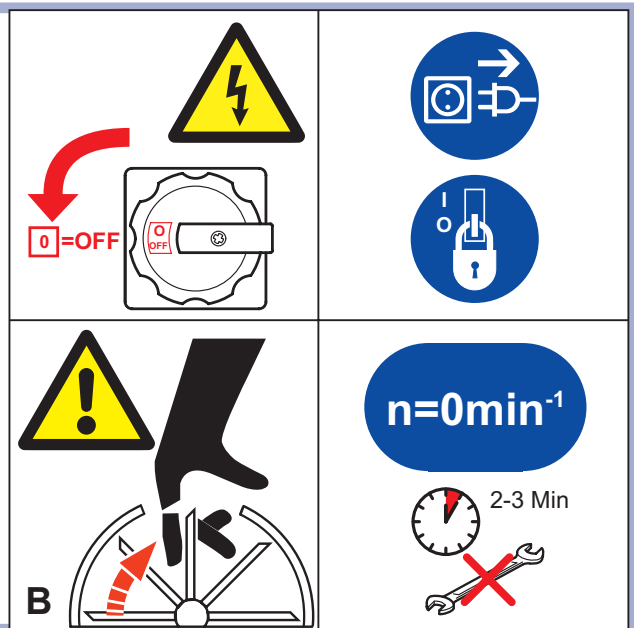
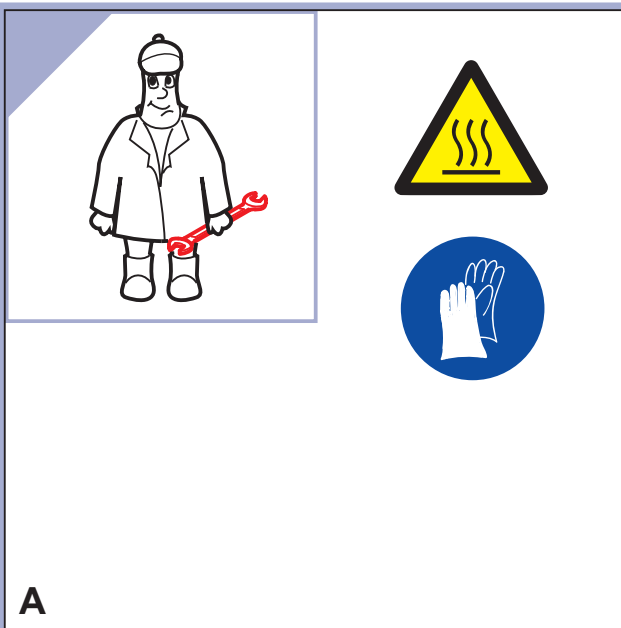
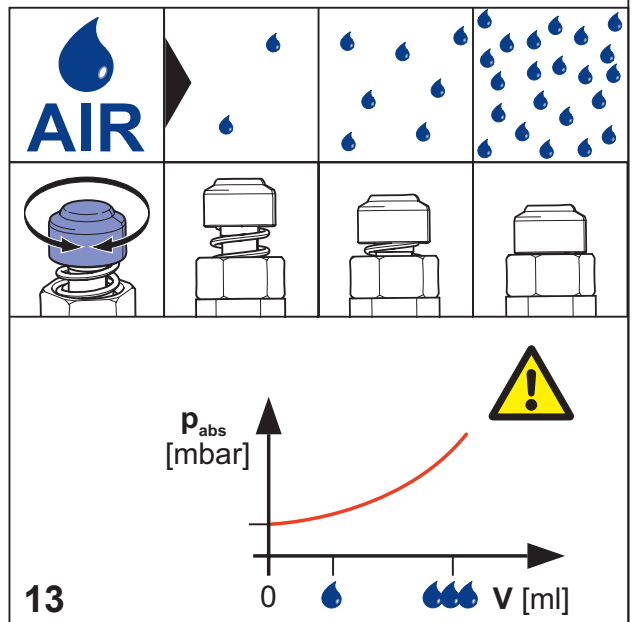
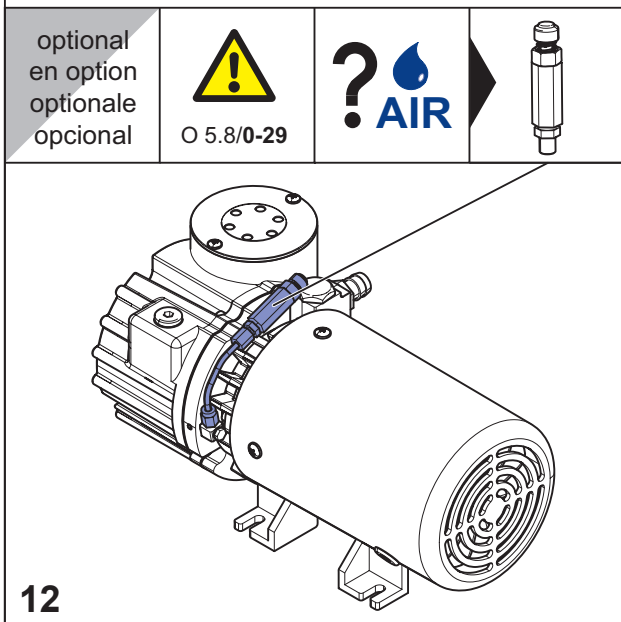
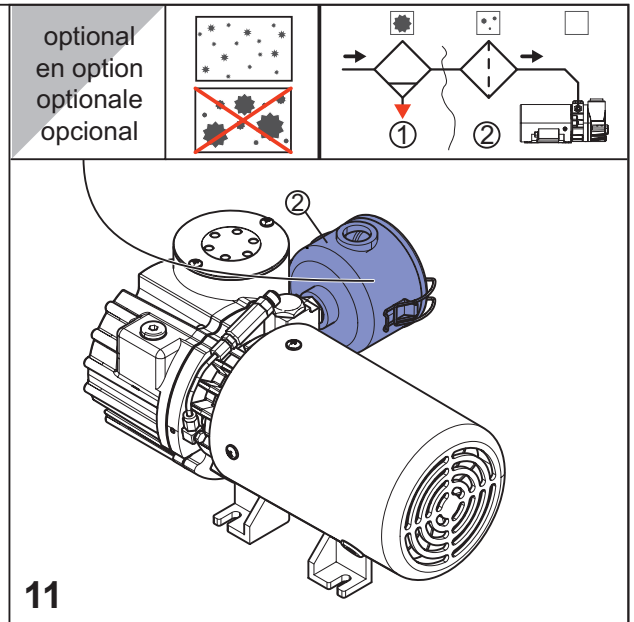
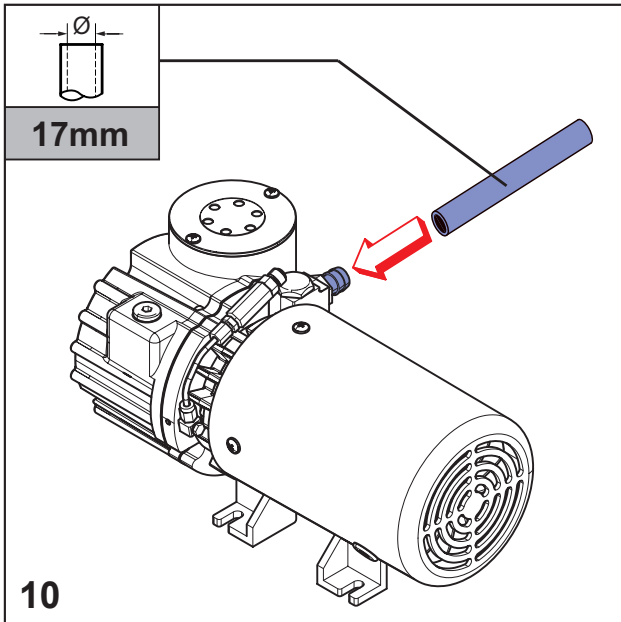
7.1


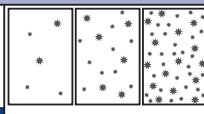




8.1

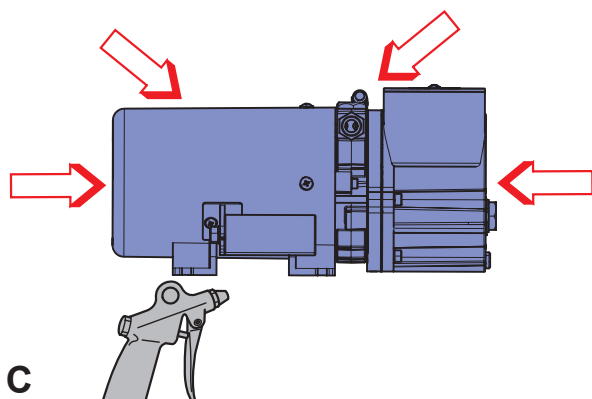
9.1






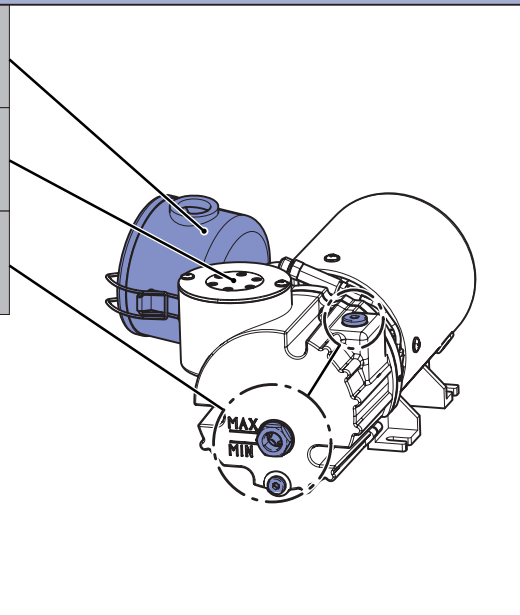
40 - 200 h **AIR ?** EN149 - FFP3
42 CFR 84 - N100



C





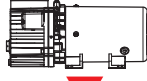

D



MAX ▼   **< MIN**

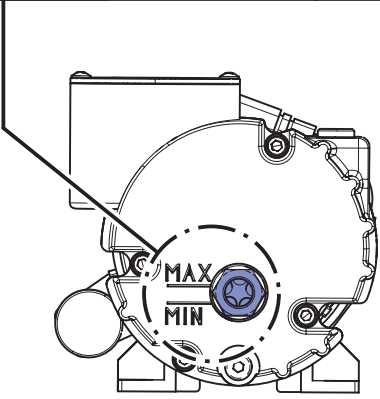
1x/d   **E.4**

1. = 100 h
2. = 500-2000 h
 ... (min. 2x/a)

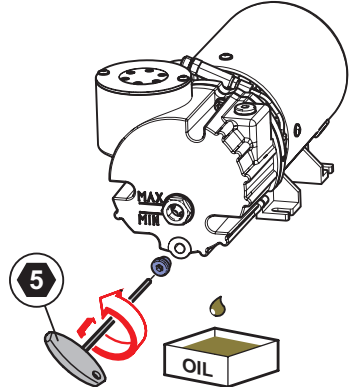
 




E.4

E.1



E.2



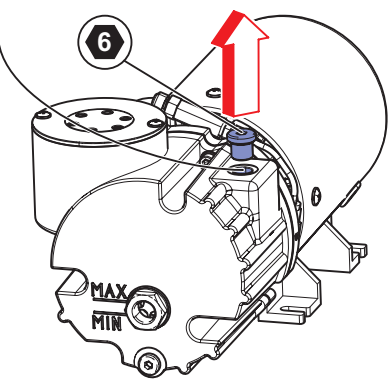
 **E.4**  


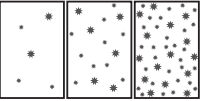



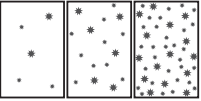

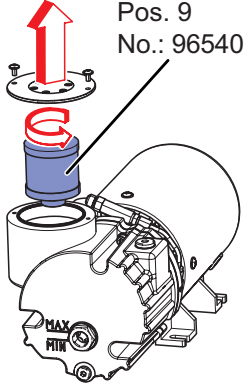
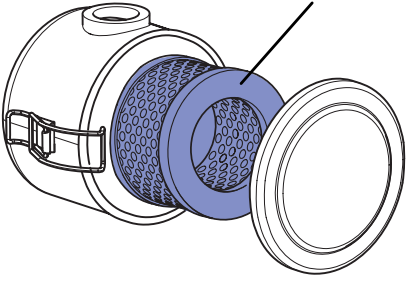
0.25 Liter




96001700025	Becker Lube M 32 Mineral oil (0.25 Liter)
96000320025	Becker Lube S 32 Synthetic oil (0.25 Liter)
96001800025	Becker Lube SL 32 "Food" oil (0.25 Liter)

E.4

E.3



 500-2000 h (min. 2x/a)	 AIR ?	 	 40 - 200 h	 AIR ?	MIN 1x/a 
F  Pos. 9 No.: 96540055300			G  No.: 84040105000 (paper) No.: 90956500000 (polyester)		

 www.becker-international.com	 Gebr. Becker GmbH Hölker Feld 29-31 D-42279 Wuppertal info@becker-international.com <hr/>  SERVICE www.becker-international.com Sales and service network
-----------------------------------------------------------------------------------------------------------------------------------------------------------------------	------------------------------------------------------------------------------------------------------------------------------------------------------------------------------------------------------------------------------------------------------------------------------------------------------------------------------------------------------------------------------------------------------------------------------------------------------------------------