


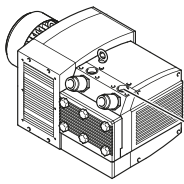







BETRIEBSANLEITUNG
OPERATING INSTRUCTIONS
INSTRUCTIONS DE SERVICE
ISTRUZIONI D'USO
HANDLEIDING
INSTRUCCIONES PARA EL MANEJO
MANUAL DE INSTRUÇÕES
NAUDOJIMOSI INSTRUKCIJA
KASUTUSJUHEND
LIETOŠANAS INSTRUKCIJA
DRIFTSINSTRUKS
DRIFTSINSTRUKTIONER
DRIFTSVEJLEDNING
INSTRUKCJA OBSŁUGI

KEZELÉSI ÚTMUTATÓ
NÁVOD K OBSLUZE
NAVODILO ZA UPORABO
NÁVOD NA OBSLUHU
UPUTE ZA RAD
MANUAL DE OPERATII
TREORACHA OIBRIÚCHÁIN
ΟΔΗΓΙΕΣ ΧΡΗΣΗΣ
EL KITABI
ИНСТРУКЦИИ ЗА ЕКСПЛОАТАЦИЯ
ИНСТРУКЦИЯ ПО ЕКСПЛОАТАЦИИ
取扱説明書
사용설명서
使用说明书

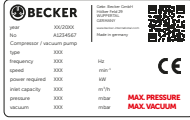

DVT 3.140

MAKE IT BECKER.


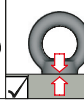


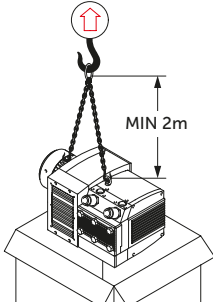


 	
	
 <p><input checked="" type="checkbox"/> AIR</p>	 
	 

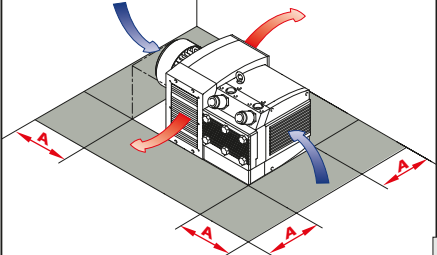
1

<p>MAX. PRESSURE</p> <p>MAX. VACUUM</p>	 <p>mbar</p>
<p>MAX. V</p>	 <p>m³/h</p>
<p>L_{pA}</p> <p>DIN EN ISO 11203 Accuracy Class 2 K_{pA} = 3 dB(A) l ← 1m</p>	<p>L_{pA} = 78 dB(A) - 50Hz</p> <p>L_{pA} = 79 dB(A) - 60Hz</p>


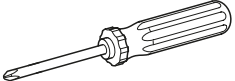

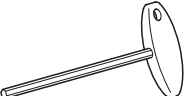
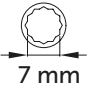
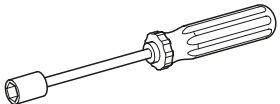
2

			 <p>140 kg 309 lbs</p>
			

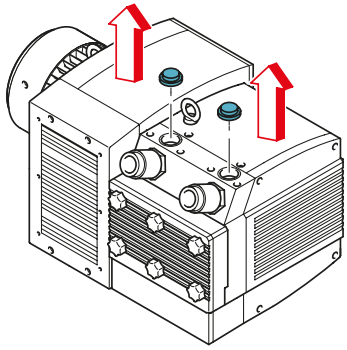
3

<p>A > 100mm A > 4"</p>	<p>> 5°C/41°F < 45°C/113°F</p>	<p>max. 90%</p>	<p>max. 800m</p>
			

4

 <p>No. 2</p>	
 <p>5 mm</p>	
 <p>7 mm 10 mm</p>	

5



6

MOTOR-PROTECTION
=

(CF LXX)	
50Hz	60Hz
XXX / XXX V	XXX / XXX V
XXX / XXX A	XXX / XXX A

SERVICE FACTOR
X
RATED CURRENT

7

optional

Bi-metal

PTC

¹⁾ motor protection switch

8

9

10

PRESSURE

0 2 10 [m]

VACUUM

1 1/2" 2" + 2x

11

BECKER

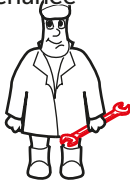
year: XX/20XX
 No.: A1234567
 Compressor / vacuum pump
 type: XXX
 frequency: XXX Hz
 speed: XXX rpm
 power required: XXX kW
 inlet capacity: XXX m³/h
 pressure: XXX mbar
 vacuum: XXX mbar

PRESSURE

VACUUM

12

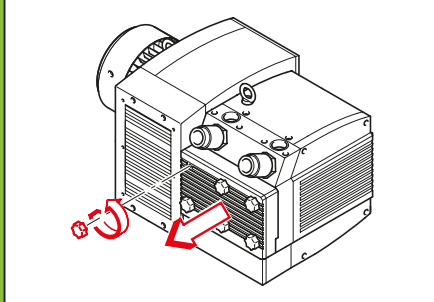
Maintenance



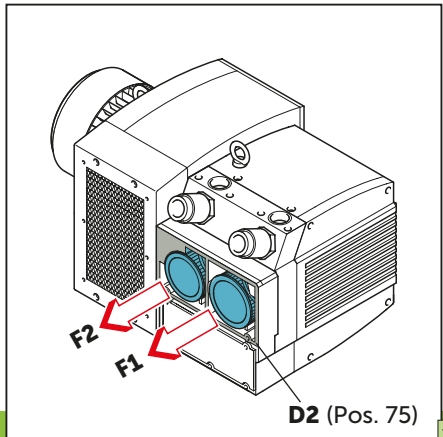
13

14

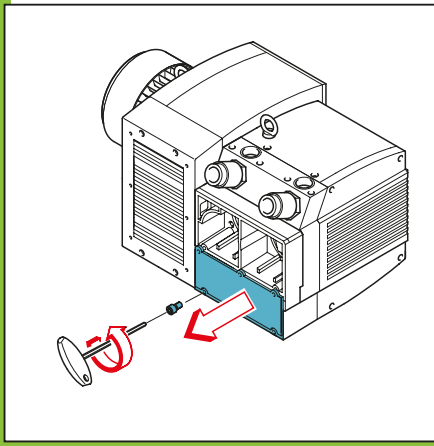
<p>CLEANING INTERVAL</p>	<p>SUCTION AIR</p>	<p>40h ↑ ↓ 200h</p>	<p>EN149 - FFP3 42 CFR 84 - N100</p>
---------------------------------	--------------------	---------------------------------	--



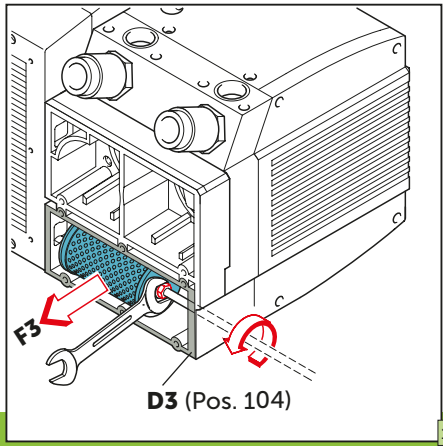
15




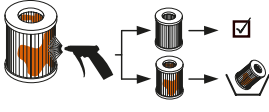
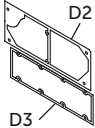
16



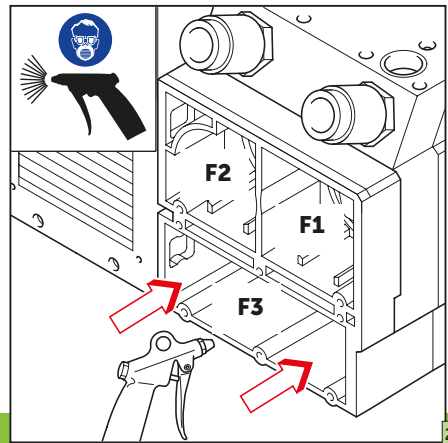
17



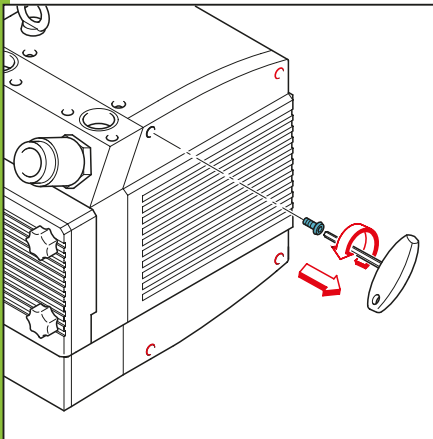
18

		
EN149 - FFP3 42 CFR 84 - N100		
		
F1 No.: 909507	F2 No.: 909507	F3 No.: 909514
	Satz / Kit Pos.: 17, 20, 24, 62, 75 , 76, 85, 86, 104 , 122, 125, 126, 146 ► No.: 549002 21300	

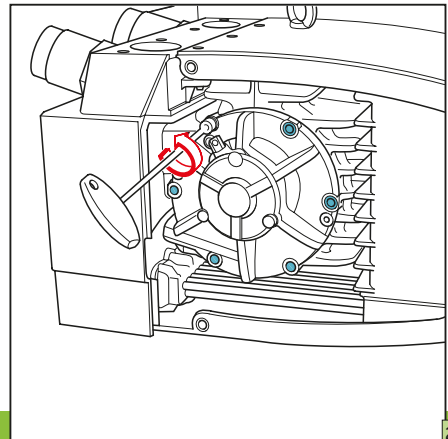
19



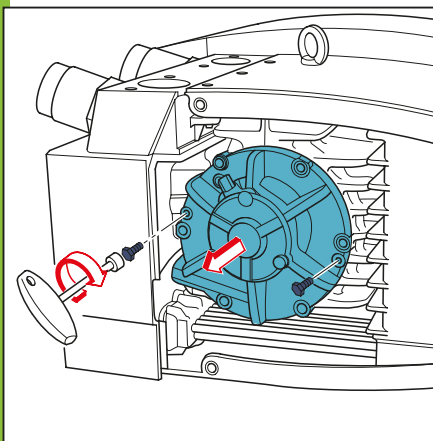
20




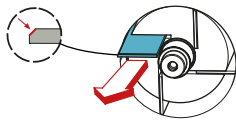
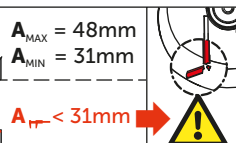
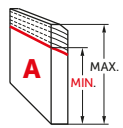



21



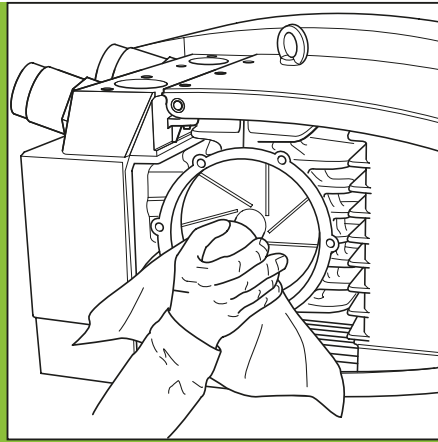
22



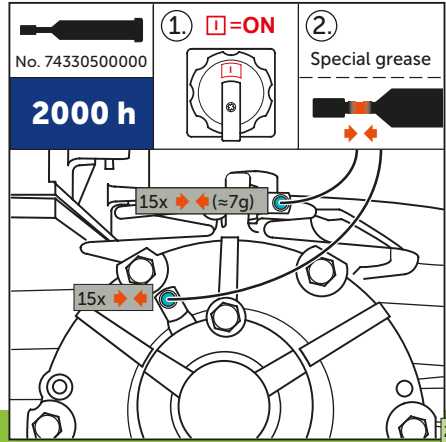
23

	
3000 h	
	$A_{MAX} = 48mm$ $A_{MIN} = 31mm$ $A_{TYP} < 31mm$
	
	→ No. 90133400007 (SET)

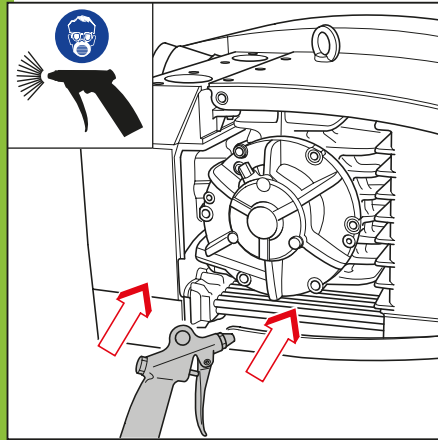
24



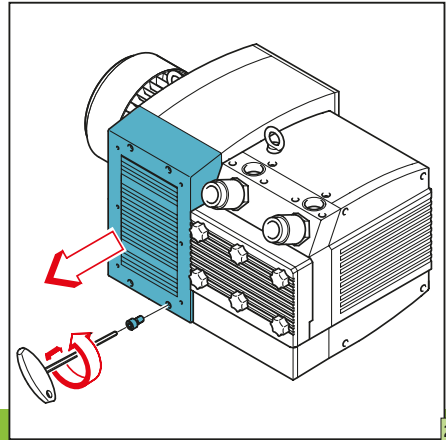
25



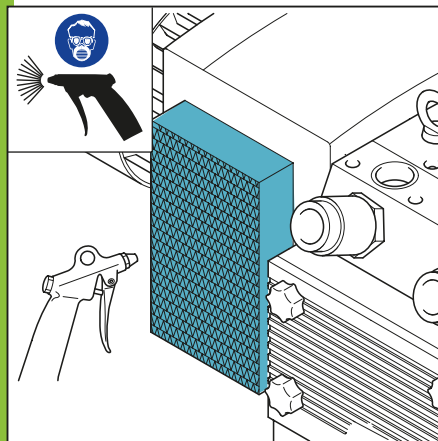
26



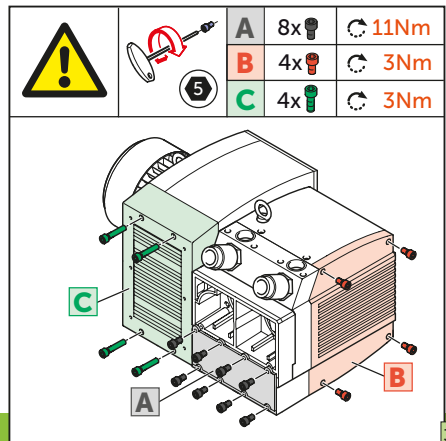
27



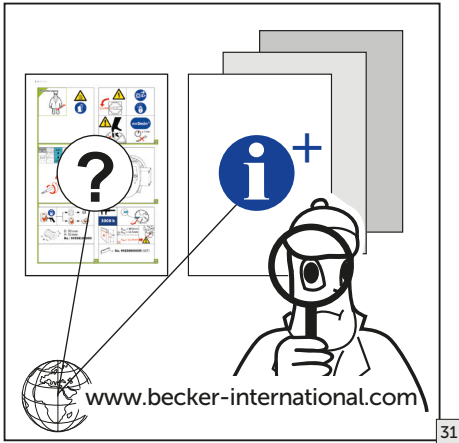
28



29



30



WWW.BECKER-INTERNATIONAL-SHOP.COM

Gebr. Becker GmbH
Hoelker Feld 29-31
42279 WUPPERTAL
GERMANY
info@becker-international.com
www.becker-international.com





MAKE IT BECKER.