

DATA SHEET

**DVT 3.140**

# ROTARY VANE PRESSURE/VACUUM PUMPS

oil-free

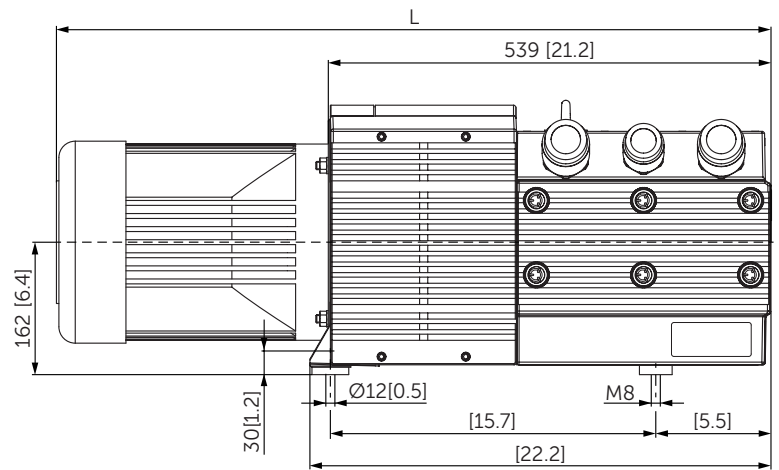
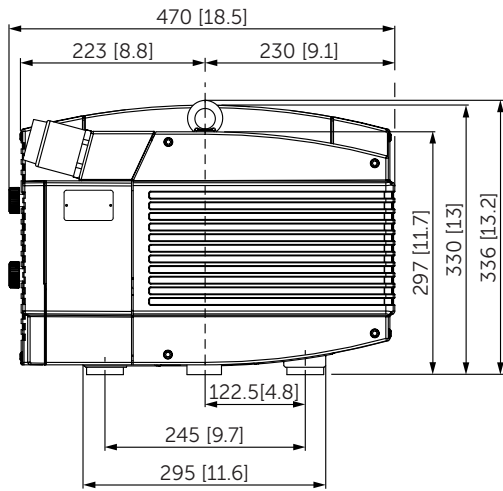
air-cooled

---

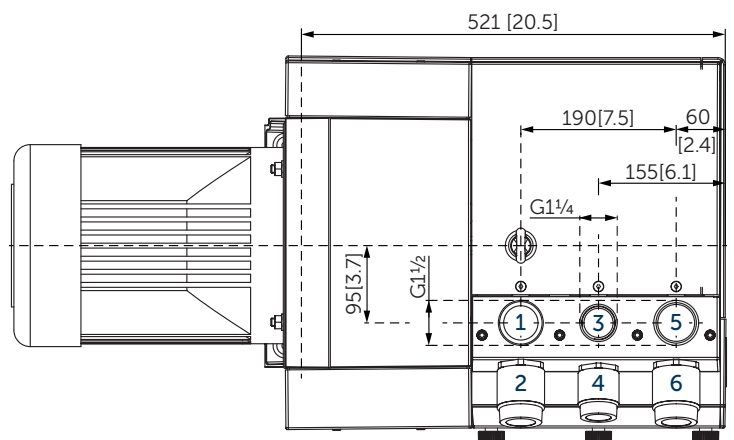
**MAKE IT BECKER.**



figure DVT 3.80



- 1 Pressure connection (G1½)
- 2 Pressure regulating valve
- 3 Option: second suction (G¾)
- 4 Option: vacuum regulating valve for second suction
- 5 Vacuum connection (G1½)
- 6 Vacuum regulating valve
- Including integrated suction air filter
- The motor illustration may vary.
- Dimensions in mm [inch]



Air rate		Pressure/vacuum relative		Motors		Emission sound pressure level <sup>1)</sup>		Weight w/o motor
m <sup>3</sup> /h		bar		kW		dB(A)		kg
50 Hz	60 Hz	50 Hz	60 Hz	50 Hz	60 Hz	50 Hz	60 Hz	
137	160	±0.5	±0.5	7.5	9.0	77–78	78–79	78
137	160	±0.6	±0.6	7.5	9.0	77–78	78–79	78

<sup>1)</sup> According to DIN EN ISO 3744 (KpA = 3 dB(A)), 1 m [39.4 inch] distance, at medium load, both connection sides piped

3~ Motors												L	
#	50 Hz				60 Hz				Version	Weight kg	mm [inch]		
	kW	V	min <sup>-1</sup>	A	kW	V	min <sup>-1</sup>	A					
01	7.5	Δ400	IE3	1445	16.0	9.0	Δ460	IE3	1735	15.5	IP55 • ISO F • bimetal	55.0	953 [37.5]
							Δ400		1725	18.0			
02						9.0	YY230/Y460	IE3	1763	33.6/16.8	UL(E235514) • CSA CC329B IP55 • ISO F • bimetal	68.0	940.5 [37.1]
							YY208		1760	33.8			
03	7.5	Δ200/Y350	IE3	1450	31.8/18.3	9.0	Δ220/Y380-400	IE3	1760	31.5/18.2-17.3	IP55 • ISO F • bimetal	55.0	953 [37.5]
							Δ200/Y350		1745	33.9/19.5			
04						9.0	Δ400/Y690	IE3	1760	19.2/11.1	IP55 • ISO F • bimetal	55.0	953 [37.5]

- Current consumption and rotation speed may vary. Tolerance in each case -1.5/+2%

Air rates • power consumptions • temperatures										
relative pressure			relative vacuum							
			50 Hz				60 Hz			
			0 bar	-0.4 bar	-0.5 bar	-0.6 bar	0 bar	-0.4 bar	-0.5 bar	-0.6 bar
+0.4 bar	Suction air rate	m <sup>3</sup> /h	126.5	72	58	43	150	84	67	51
	Blast air rate	m <sup>3</sup> /h	140	103	83	82	164	118	105	92
	Power consumption	kW	5.00	5.30	5.35	5.35	6.60	6.50	6.30	6.30
	Temperature compressed air	°C	45	55	56	56	52	58	59	60
+0.5 bar	Suction air rate	m <sup>3</sup> /h	126	69	55	41	149	83	66.5	50
	Blast air rate	m <sup>3</sup> /h	138	101	91	80	163	117	104	91
	Power consumption	kW	5.10	5.40	5.45	5.45	6.75	6.60	6.55	6.50
	Temperature compressed air	°C	47	55	56	56	53	59	60	61
+0.6 bar	Suction air rate	m <sup>3</sup> /h	126	65	51	38	148	83	66	50
	Blast air rate	m <sup>3</sup> /h	138	99	89	78	162	116	103	90
	Power consumption	kW	5.25	5.55	5.55	5.60	6.85	6.75	6.80	6.85
	Temperature compressed air	°C	49	56	56	57	54	59	60	61

Reference data (atmosphere): 1000 mbar (100 kPa), 20°C (68°F)

Tolerance: ±5%

Air temperature: 5°C ... 45°C (41°F ... 135°F)

## **+** VARIANTS AND ACCESSORIES

- With first and second suction
- With external suction filter<sup>1)</sup>
- Sound proof box SH 13<sup>1)</sup>



Example for an external suction filter



Sound proof box SH 13

<sup>1)</sup> See separate data sheet

- Possible combinations on request



**MAKE IT BECKER.**