

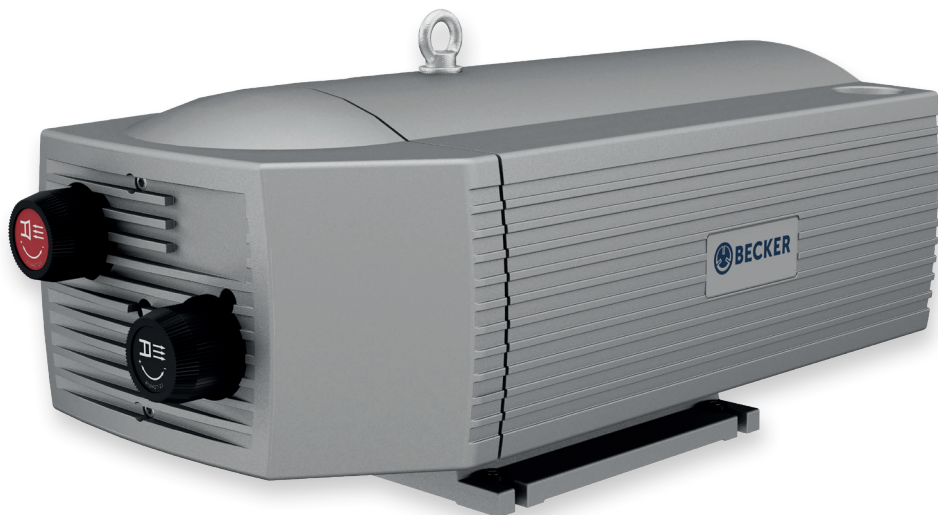
DATA SHEET

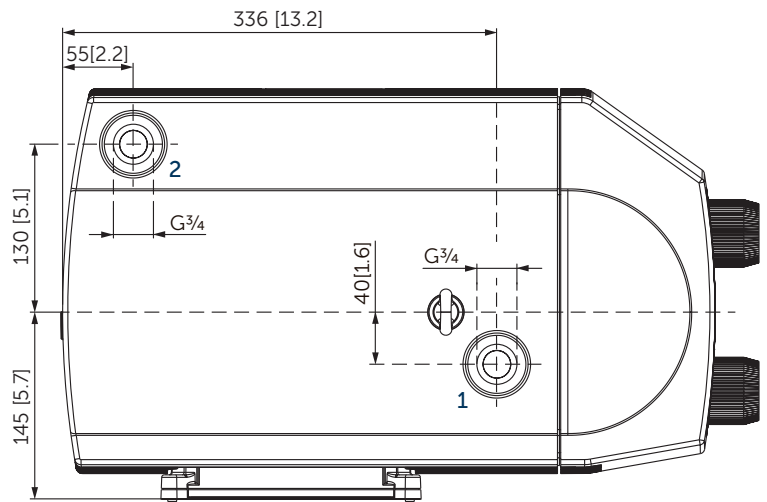
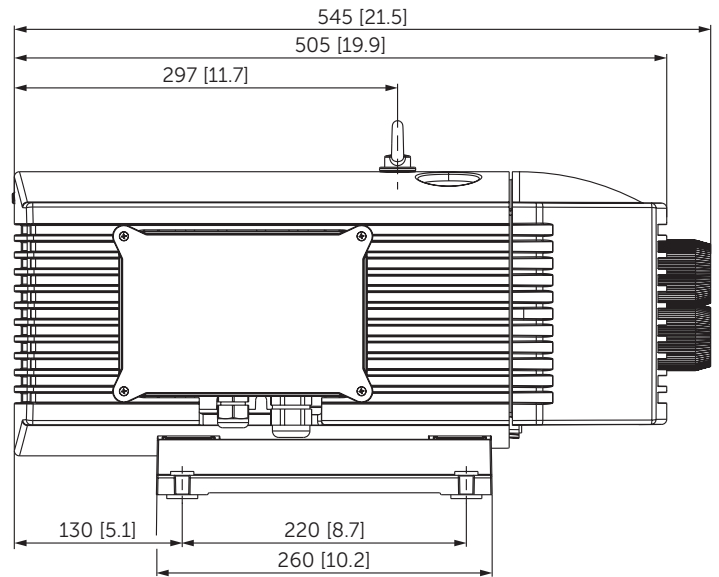
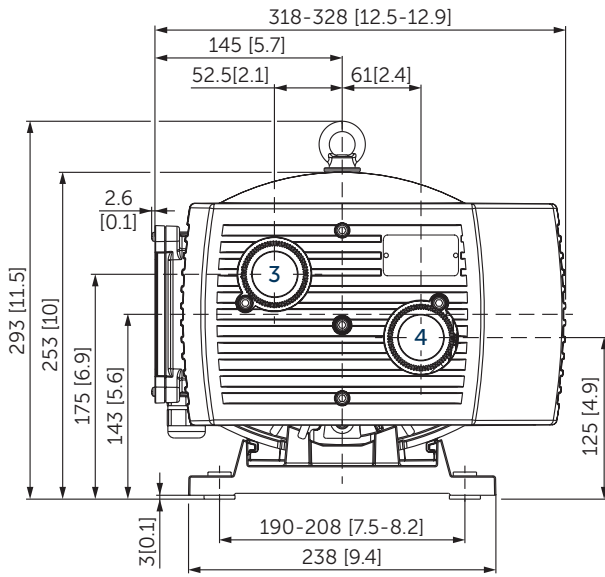
T 4.25 DSK

ROTARY VANE PRESSURE/VACUUM PUMPS

oil-free and air-cooled
with compressed air cooler

MAKE IT BECKER.





- 1 Vacuum connection (G³/₄)
- 2 Pressure connection (G³/₄)
- 3 Vacuum regulating valve
- 4 Pressure regulating valve
- Including integrated suction air filter and compressed air cooler
- The illustration of the terminal box may vary.
- Dimensions in mm [inch]

Air rate		Pressure/vacuum relative		Emission sound pressure level ¹⁾		Weight with motor ²⁾
50 Hz	60 Hz	50 Hz	60 Hz	50 Hz	60 Hz	kg
25	30	±0.6	±0.6	69	69	≈35–49.5

¹⁾ According to DIN EN ISO 3744 (KpA = 3 dB(A)), 1 m [39.4 inch] distance, at medium load, both connection sides piped

²⁾ Depending on the motor

3~ Motors											
#	50 Hz				60 Hz				Version		
	kW	V	rpm	A	kW	V	rpm	A			
01	1.1	Y400	IE3	1140	2.6	1.3	YY230/Y460	IE3	1735	5.0/2.5	UL (E113150) • CC046A IP55 • ISO F PTO bimetal 150°C
						1.3	YY208	IE3	1730	5.4	
						1.3	Y400		1725	2.7	
02	1.1	190–255/ 330–440		1420	4.8–5.5/ 2.8–3.2	1.3	190–290/ 330–500		1690	6.2–4.9/ 3.6–2.8	IP54 • ISO F • bimetal

1~ Motor											
#	50 Hz				60 Hz				Version		
	kW	V	rpm	A	kW	V	rpm	A			
01	1.1	230 ±10%	1350	7.6							IP54 • ISO F • bimetal
02					1.3	220–240	1740	8.6–8.35			UL • CSA IP54 • ISO F • bimetal
03					1.1	115 ±10%	1660	13.0			UL (E252500) IP54 • ISO F

• Current consumption and rotation speed may vary. Tolerance in each case -1.5/+2%

Air rates • power consumptions • temperatures										
relative pressure			relative vacuum							
			50 Hz				60 Hz			
			0 bar	-0.4 bar	-0.5 bar	-0.6 bar	0 bar	-0.4 bar	-0.5 bar	-0.6 bar
+0.4 bar	Suction air rate	m ³ /h	23.8	12.7	10	7.2	28.6	15.55	12.3	9.08
	Blast air rate	m ³ /h	25.3	20	18.6	17.3	30.8	23.4	21.6	19.7
	Power consumption	kW	0.71	0.91	0.96	1	0.95	1.1	1.14	1.18
	Temperature compressed air	°C	35	37	38	38	37	40	41	42
+0.5 bar	Suction air rate	m ³ /h	23.4	12.5	9.9	7.1	28.5	15.5	12.25	9.05
	Blast air rate	m ³ /h	24.9	19.6	18.2	16.9	30.65	23.3	21.5	19.6
	Power consumption	kW	0.75	0.95	1	1.05	1.02	1.16	1.2	1.24
	Temperature compressed air	°C	36	38	39	39	38	41	42	43
+0.6 bar	Suction air rate	m ³ /h	23	12.3	9.7	7	28.3	15.4	12.2	9
	Blast air rate	m ³ /h	24.5	19.2	17.8	16.5	30.5	23.1	21.3	19.4
	Power consumption	kW	0.8	1	1.05	1.1	1.07	1.22	1.26	1.3
	Temperature compressed air	°C	37	39	40	40	39	42	43	44

Reference data (atmosphere): 1000 mbar (100 kPa), 20°C (68°F)

Tolerance: ±5%

Air temperature: 5°C ... 45°C (41°F ... 135°F)

VARIANTS AND ACCESSORIES

- **T 4.25 DV** without compressed air cooler, maximum ± 0.5 bar, lower motor power and overall dimensions¹⁾
- With external suction filter¹⁾
- Sound proof box SH 19¹⁾



Example for an external suction filter



Sound proof box SH 19

¹⁾ See separate data sheet

- Possible combinations on request



MAKE IT BECKER.