

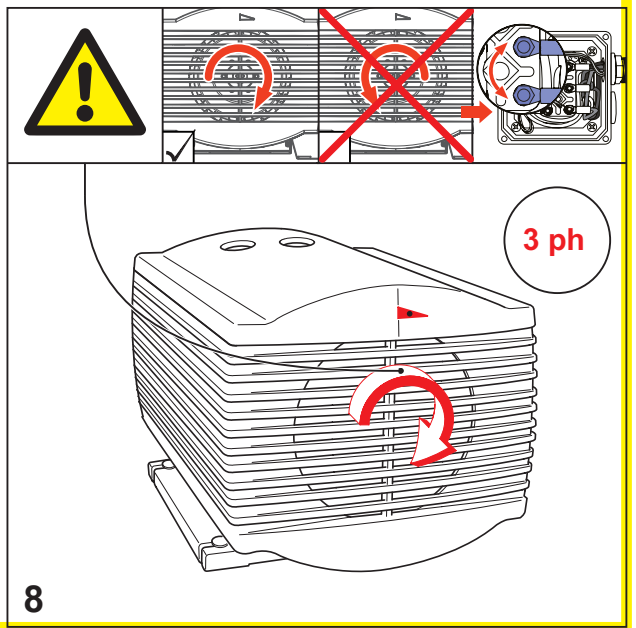
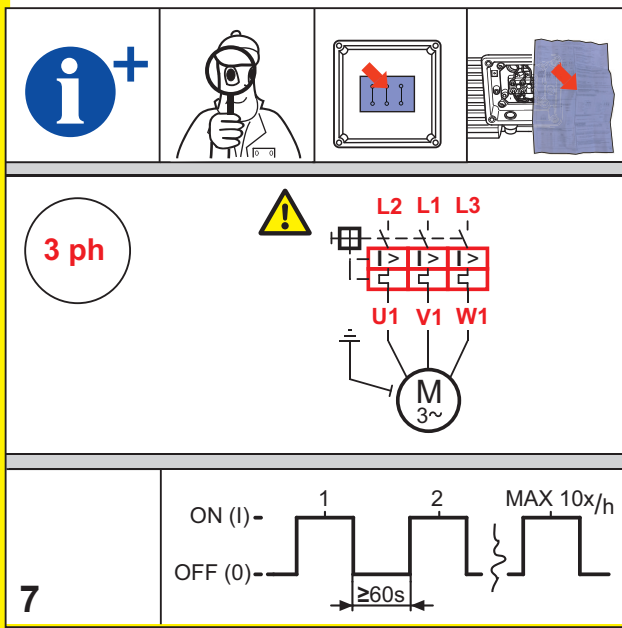
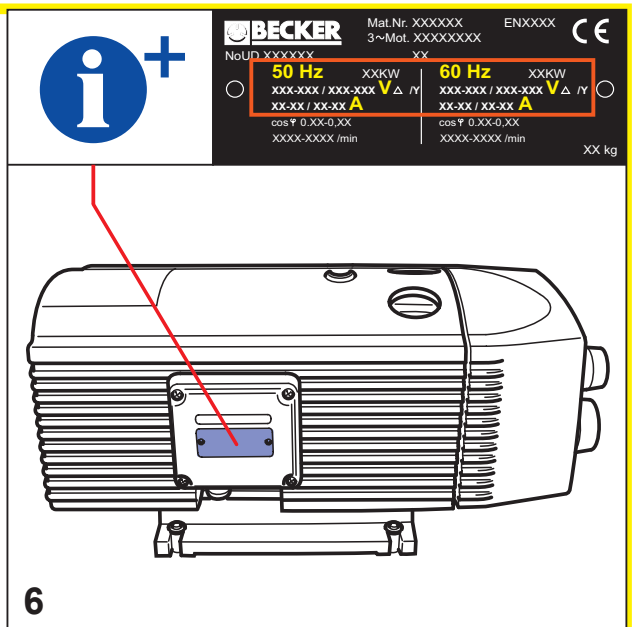
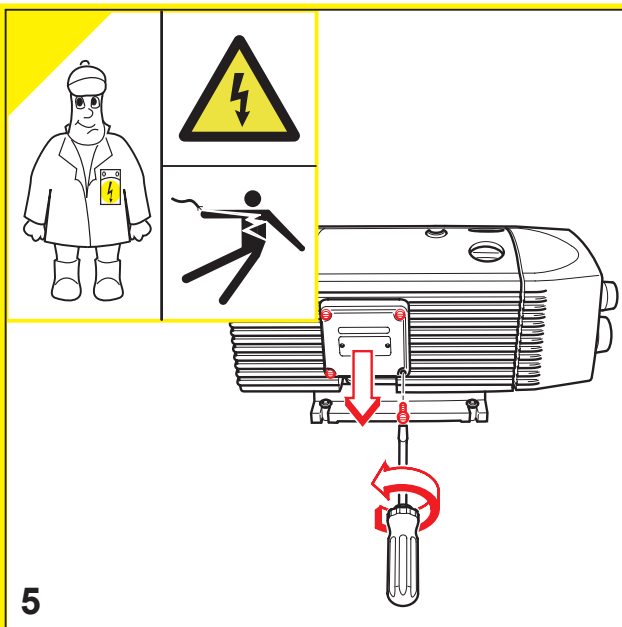
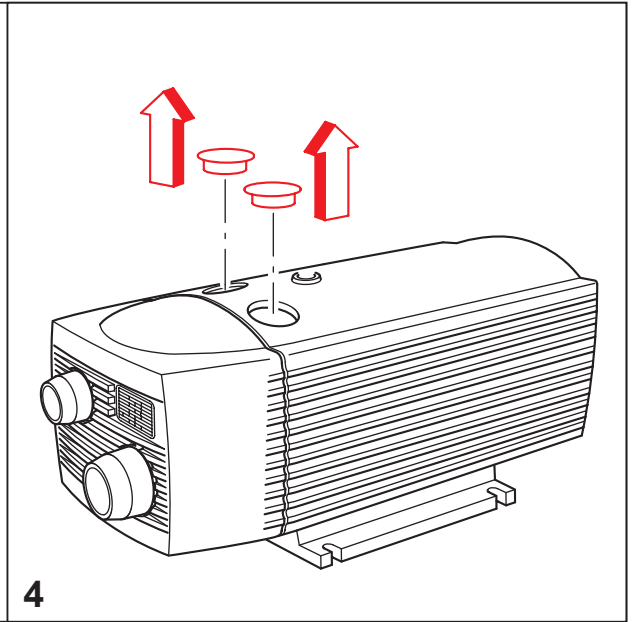
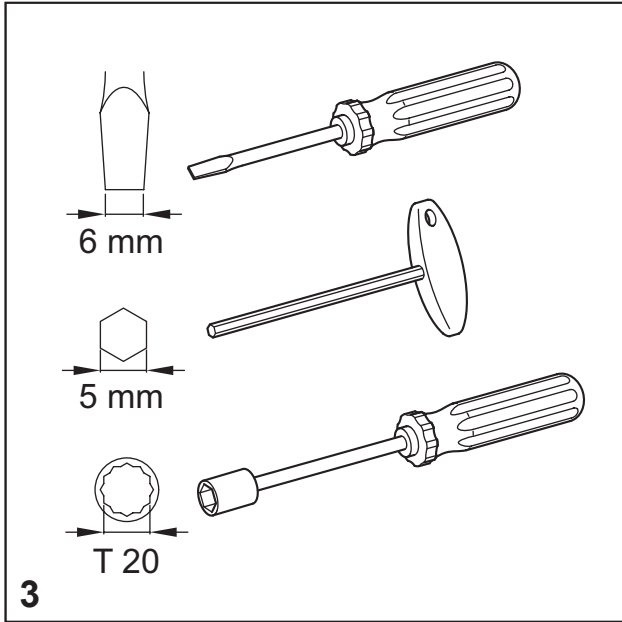
Betriebsanleitung
 Operating Instructions
 Instructions de service
 Istruzioni d'uso
 Handleiding
 Instrucciones para el manejo
 Manual de instruções
 Naudojimosi instrukcija
 Kasutusjuhend
 Lietošanas instrukcija
 Driftsinstruks
 Driftsinstruktioner
 Käyttöohje
 Driftsvejledning
 Instrukcja obsługi

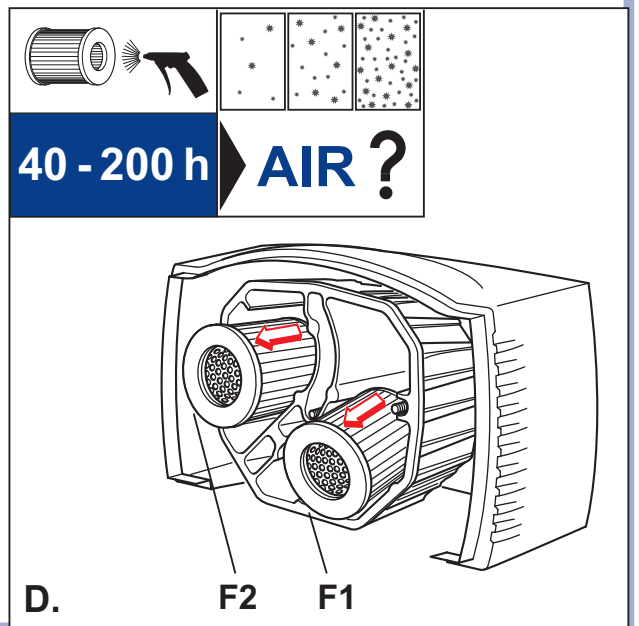
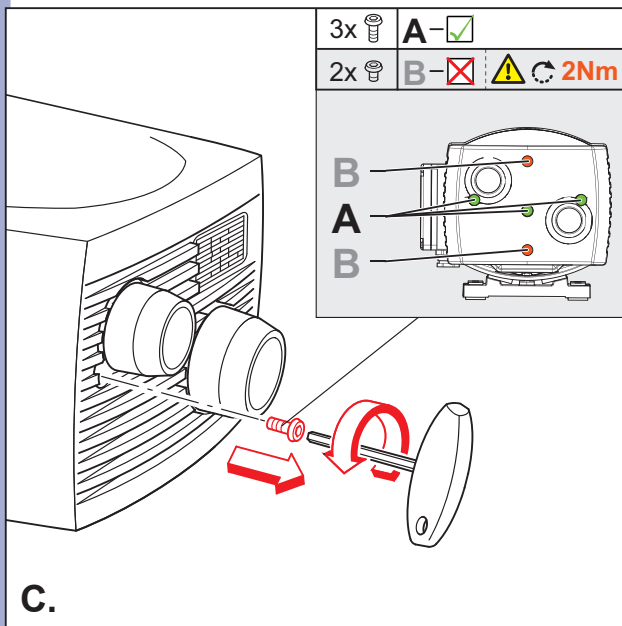
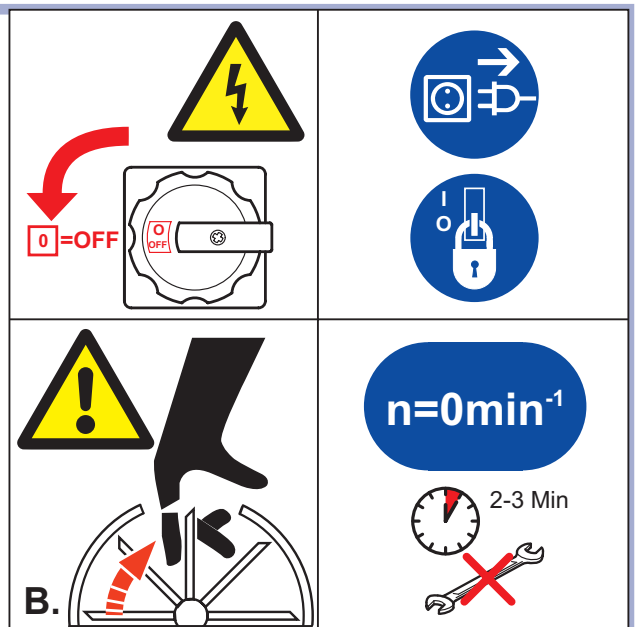
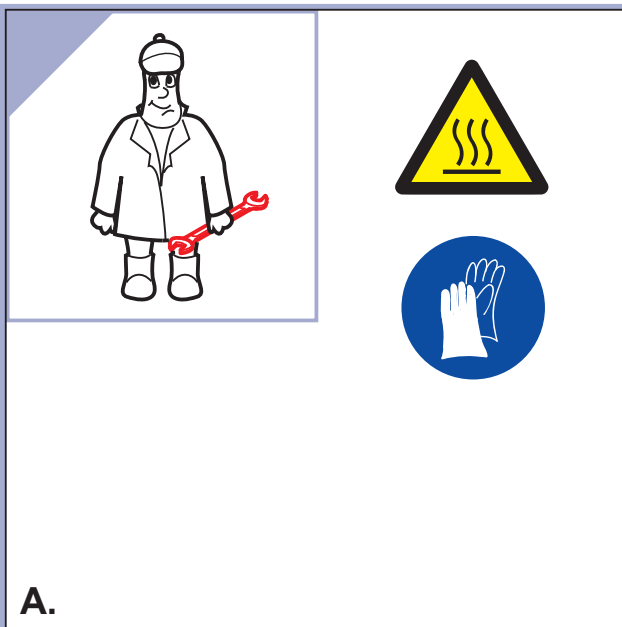
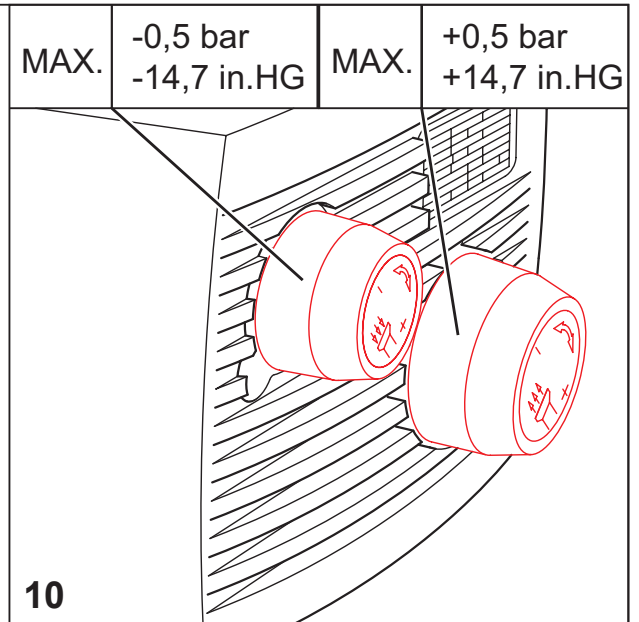
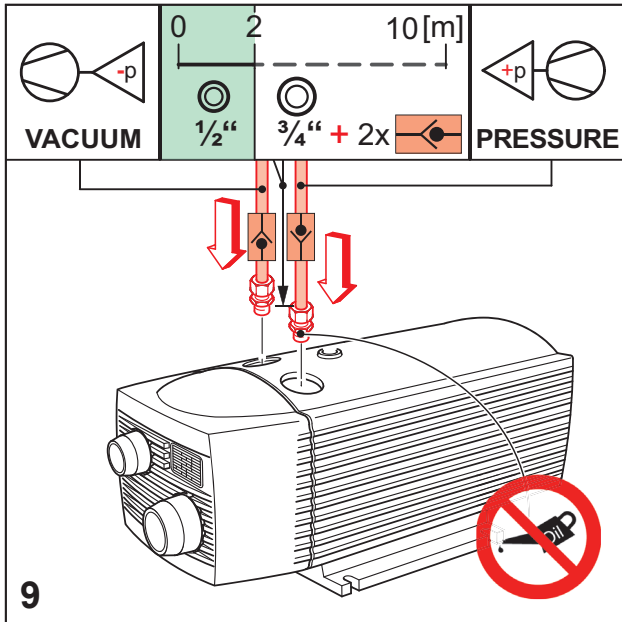
Kezelési útmutató
 Návod k obsluze
 Navodilo za uporabo
 Návod na obsluhu
 Upute za rad
 Manual de operatii
 Treoracha Oibriúcháin
 Οδηγίες χρήσης
 El Kitabi
 Инструкции за експлоатация
 Инструкция по эксплуатации
 取扱説明書
 사용설명서
 使用说明书

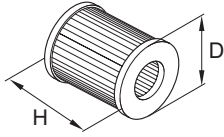
T 4.16 DV

		MAX. PRESSURE MAX. VACUUM		mbar
				m³/h
		DIN EN ISO 3744	$L_{pA} = 61 \text{ dB(A)} - 50\text{Hz}$ $L_{pA} = 63 \text{ dB(A)} - 60\text{Hz}$ $K_{pA} = 3 \text{ dB(A)}$	

	$A > 100\text{mm}$ $A > 4"$	$> 5^\circ\text{C}/41^\circ\text{F}$ $< 45^\circ\text{C}/113^\circ\text{F}$	max. 90% max. 800m
1 			
24,0 kg 52.9 lbs			







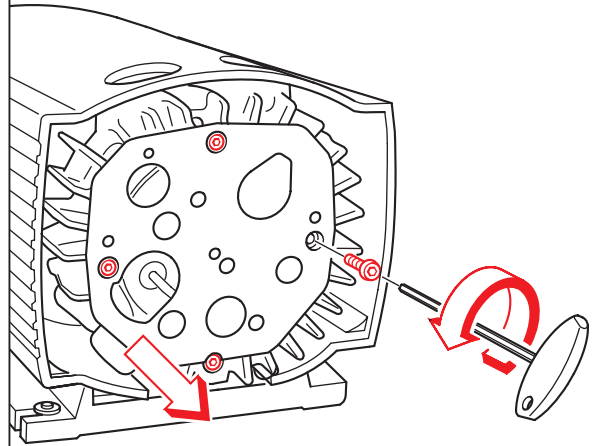
F1: D: 58 mm
H: 40 mm
No.: **90951900000**



EN149 - FFP3
42 CFR 84 - N100

F2: D: 60 mm
H: 40 mm
No.: **90954200000**

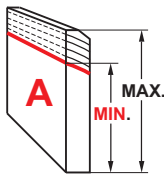
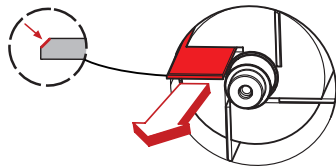
E.



F.



3000 h



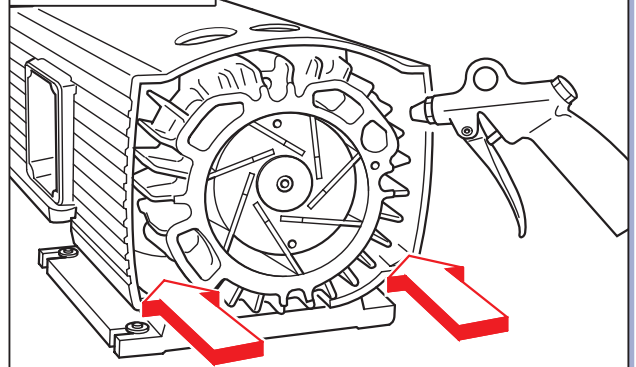
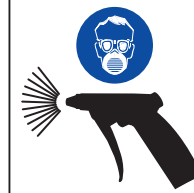
$A_{MAX} = 35mm$
 $A_{MIN} = 21mm$

$A_{spr} < 21mm$ →



→ No. **90134700007 (SET)**

G.



H.



www.becker-international.com

BECKER

Gebr. Becker GmbH
Hölker Feld 29-31
D-42279 Wuppertal
info@becker-international.com



SERVICE

www.becker-international.com

Sales and service network

www.becker-international.com