

DATA SHEET

**DTLF 2.250**

# ROTARY VANE COMPRESSORS

oil-free

air-cooled

---

**MAKE IT BECKER.**

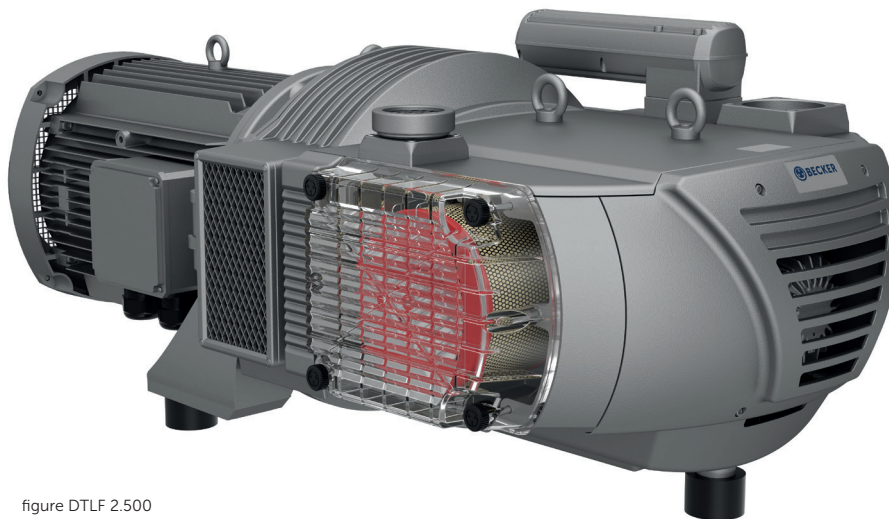
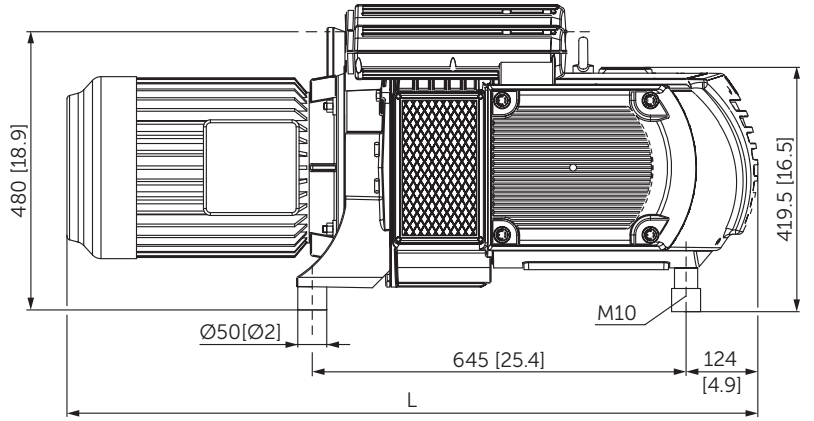
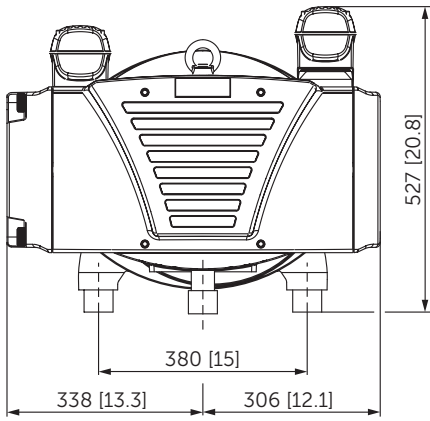
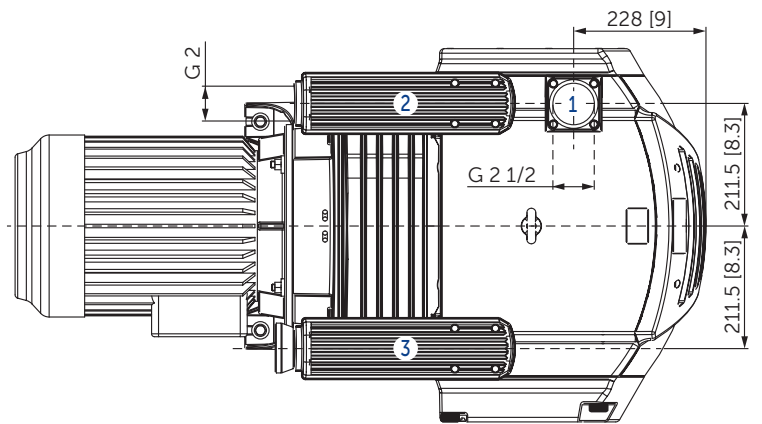


figure DTLF 2.500



- 1 Pressure connection (G2<sup>1/2</sup>)
- 2 Pressure safety valve with silencer
- 3 Air nozzle with silencer
  - Including integrated suction air filter
  - The motor illustration may vary
  - Dimensions in mm [inch]



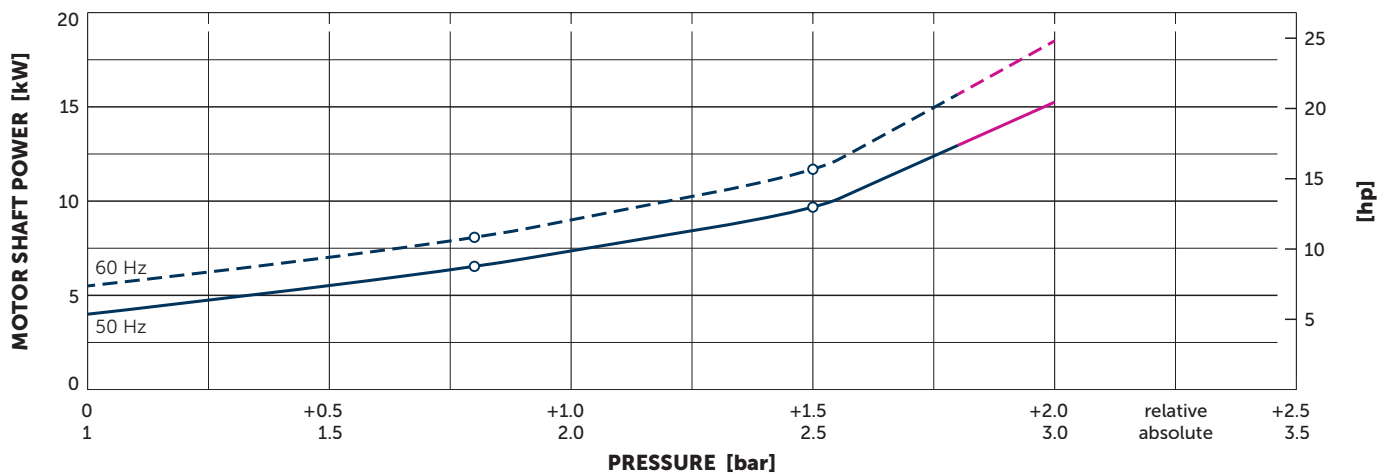
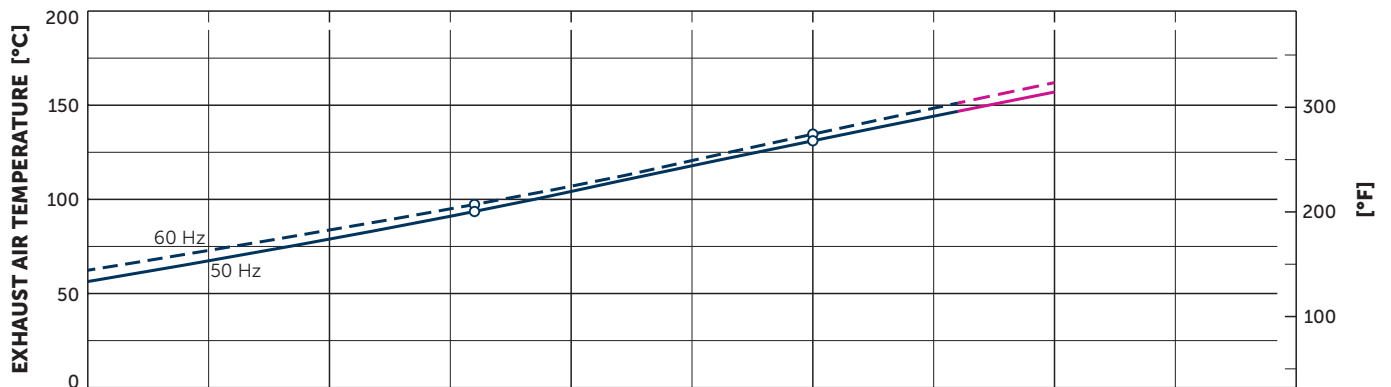
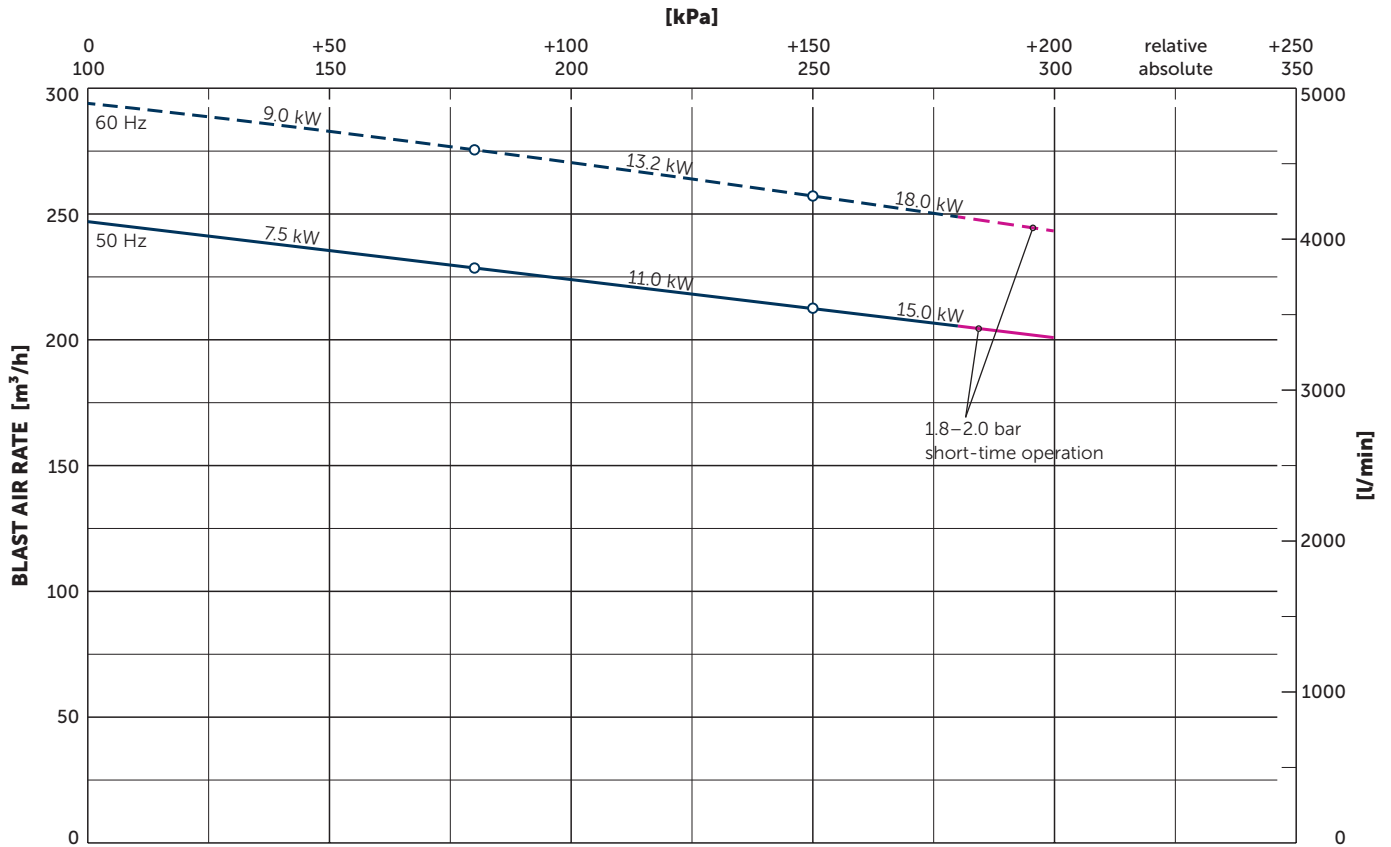
Blast air rate		Pressure relative		Motors		Emission sound pressure level <sup>1)</sup>		Weight w/o motor
m <sup>3</sup> /h		bar		kW		dB(A)		kg
50 Hz	60 Hz	50 Hz	60 Hz	50 Hz	60 Hz	50 Hz	60 Hz	
247	294	+0.8	+0.8	7.5	9.0	79	80	165
247	294	+1.5	+1.5	11.0	13.2	83	84	165
247	294	+1.8/+2.0 <sup>2)</sup>	+1.8/+2.0 <sup>2)</sup>	15.0	18.0	84	85	165

<sup>1)</sup> According to DIN EN ISO 11203, accuracy class of measurement: class 2, extended measurement uncertainty: 3 dB  
1 m [39.4 inch] distance, at medium load, both connection sides piped

<sup>2)</sup> 1.8 bar continuous operation and 2.0 bar short-time operation → max. 2 min (max. 5x / h)

3~ Motors												L	
#	50 Hz				60 Hz				Weight kg	Version	mm [inch]		
	kW	V	rpm	A	kW	V	rpm	A					
01	7.5	Δ400/Y690	IE3	967	16.8/9.7	9.0	Δ460/Y795 Δ400/Y690	IE3	1163 1151	16.8/9.7 18.4/10.6	107.0	IP55 • ISO F • bimetal	1174 [46.3]
02						9.0	YY230/Y460 YY208	IE3 –	1163 1156	33.4/16.7 35.4	107.0	UL(E235514) • CSA CC329B IP55 • ISO F • bimetal	1174 [46.3]
03	7.5	Δ200/Y350		965	37.1/21.4	9.0	Δ220/Y380–400 Δ200/Y350	IE3	1165 1162	35.3/20.4–20.1 36.4/21.0	102.0	IP55 • ISO F • bimetal	1180 [46.5]
04						9.0	Δ400/Y690	IE3	1165	19.3/11.1	102.0	UL(E235514) • CSA CC329B IP55 • ISO F • bimetal	1174 [46.3]
05	11.0	Δ400	IE3	987	24.9	13.2	Δ460 Δ400	IE3	1185 1180	25.0 27.3	163.0	IP55 • ISO F • bimetal	1300 [51.2]
06						13.2	YY230/Y460 YY208	IE3	1185 1180	50.6/25.3 52.9	162.5	UL(E235514) • CSA CC329B IP55 • ISO F • bimetal	1300 [51.2]
07	11.0	Δ200/Y350	IE3	985	45.9/26.5	13.2	Δ220/Y380–400 Δ200/Y350	IE3	1185 1177	49.0/28.3–27.2 52.8/30.5	163.0	UL(E235514) • CSA CC329B IP55 • ISO F • bimetal	1293 [50.9]
08						13.2	Δ400/Y690	IE3	1185	27.8/15.9	166.0	UL(E235514) • CSA CC329B IP55 • ISO F • bimetal	1300 [51.2]
09	15.0	Δ400	IE3	985	33.4	18.0	Δ460 Δ400	IE3	1183 1175	33.7 37.2	196.0	UL(E235514) • CSA CC329B IP55 • ISO F • bimetal	1300 [51.2]
10						18.0	YY230/Y460 YY208	IE3	1183 1180	69.1/34.6 72.3	162.5	UL(E235514) • CSA CC329B IP55 • ISO F • bimetal	1300 [51.2]
11	15.0	Δ200/Y350	IE3	987	68.6/39.6	18.0	Δ220/Y380–400 Δ200/Y350	IE3	1185 1180	69.7/40.2–39.6 73.1/42.2	163.0	UL(E235514) • CSA CC329B IP55 • ISO F • bimetal	1300 [51.2]
12						18.0	Δ400/Y690	IE3	1185	38.9/22.4	197.0	UL(E235514) • CSA CC329B IP55 • ISO F • bimetal	1300 [51.2]

• Current consumption and rotation speed may vary. Tolerance in each case -1.5/+2%



Reference data (atmosphere): 1000 mbar (100 kPa), 20°C (68°F)  
 Tolerance: ±5%  
 1.8-2.0 bar short-time operation → max. 2 min (max. 5x / h)

## VARIAIR AND ACCESSORIES

- VARIAIR DTLF 2.250/0-400 with frequency inverter<sup>1)</sup>
- DTLF 2.250 K with cooler at pressure side
- Increased corrosion protection
- Integrated non return valve
- Internal dust separator
- External suction filter<sup>1)</sup>
- Sound proof box SH 10<sup>1)</sup>



VARIAIR DTLF 2.250/0-400



Sound proof box SH 10

<sup>1)</sup> See separate data sheet

- Possible combinations on request



**MAKE IT BECKER.**