

DATA SHEET

KDT 3.80

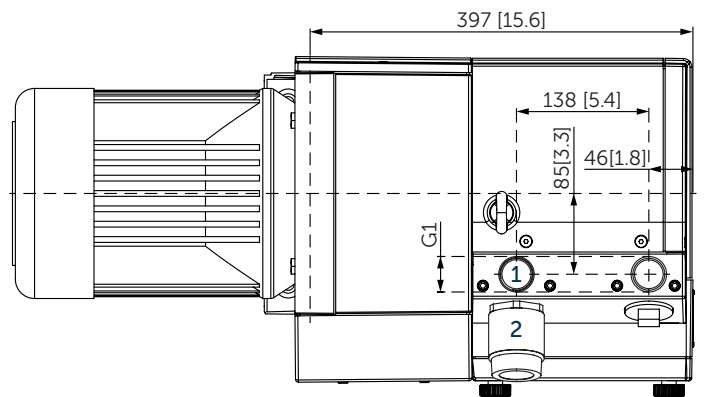
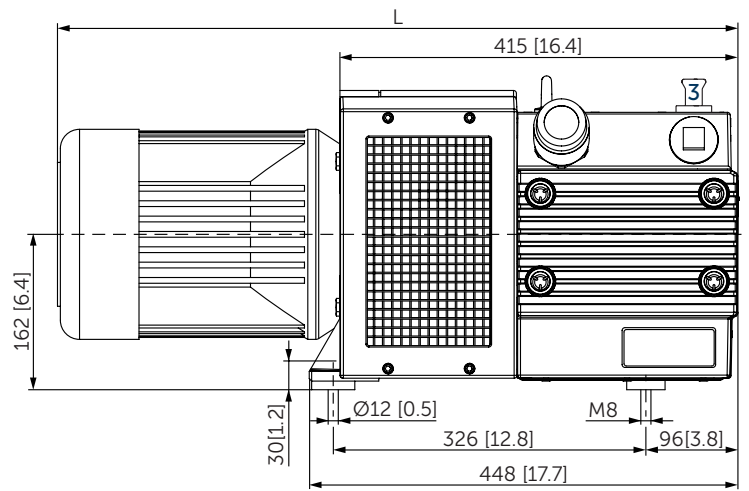
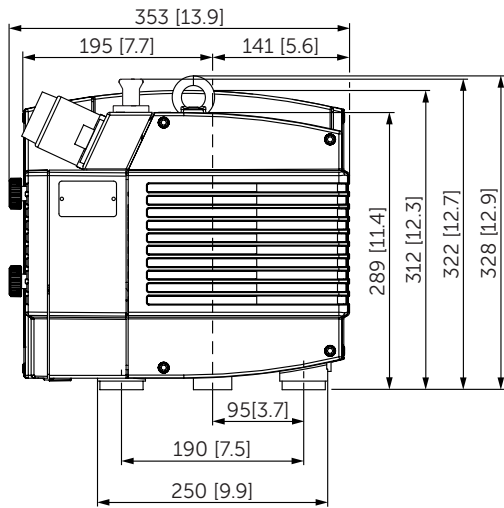
ROTARY VANE COMPRESSORS

oil-free

air-cooled

MAKE IT BECKER.





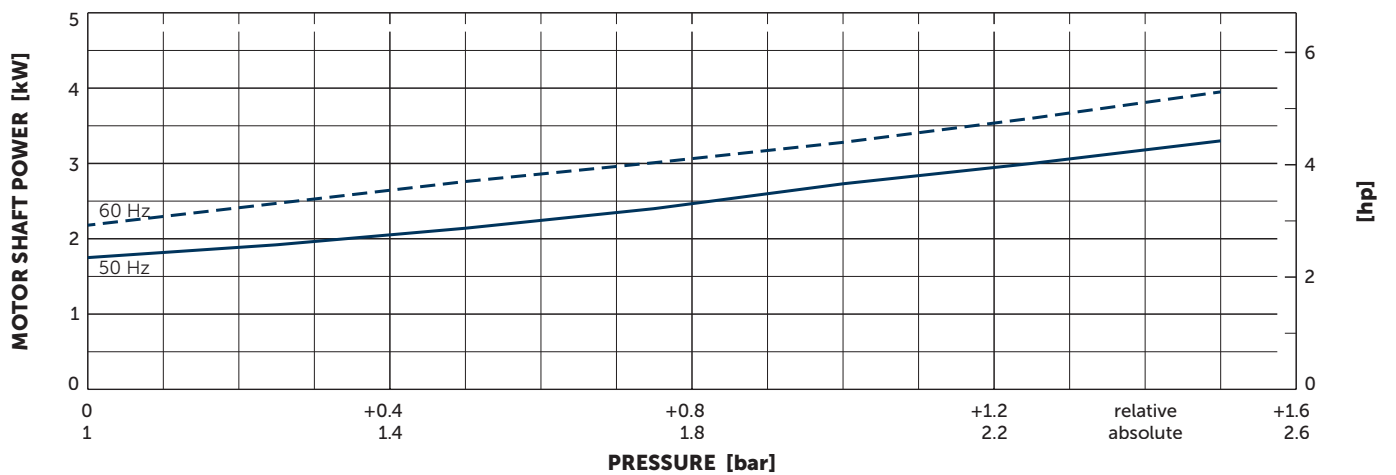
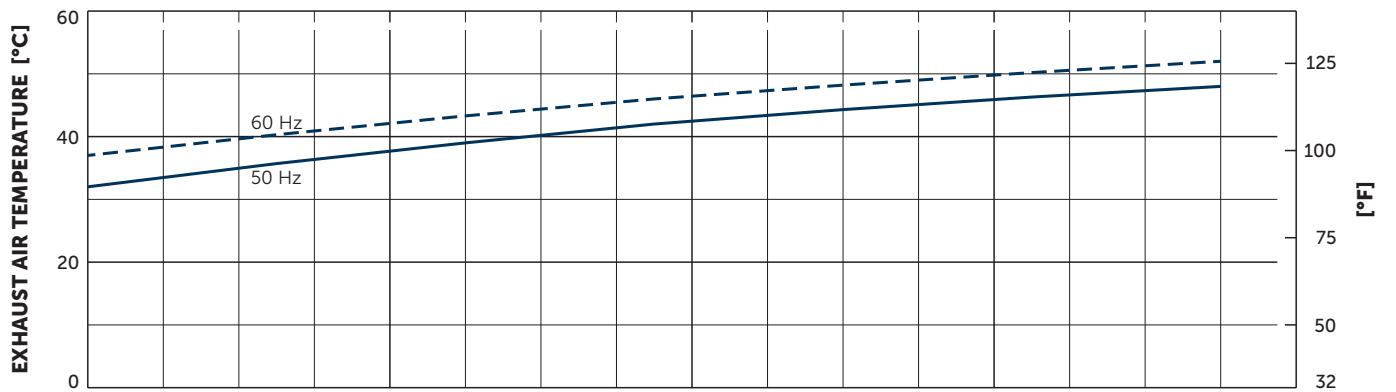
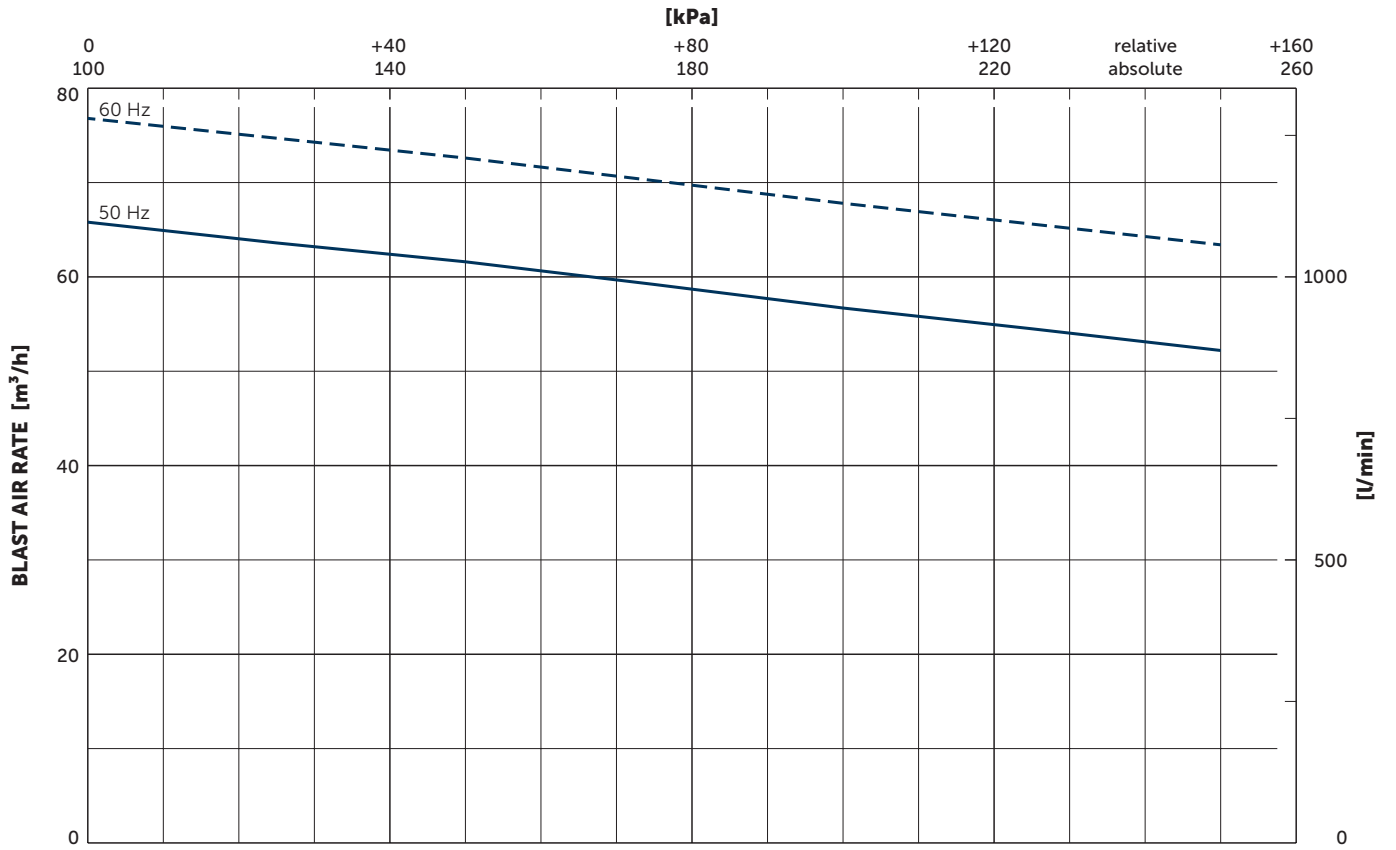
- 1 Pressure connection (G1)
- 2 Pressure regulating valve
- 3 Air nozzle
- Including integrated suction air filter
- The motor illustration may vary
- Dimensions in mm [inch]

Blast air rate		Pressure relative		Motors		Emission sound pressure level ¹⁾		Weight w/o motor
m ³ /h		bar		kW		dB(A)		kg
50 Hz	60 Hz	50 Hz	60 Hz	50 Hz	60 Hz	50 Hz	60 Hz	
66	77	+0.5	+0.5	2.0	2.6	73	75	49
66	77	+1.0	+1.0	3.0	3.6	74	76	49
66	77	+1.5	+1.5	4.0	4.8	74	76	49

¹⁾ According to DIN EN ISO 3744 (KpA = 3 dB(A)), 1 m [39.4 inch] distance, at medium load, both connection sides piped

3~ Motors												L	
#	50 Hz				60 Hz				Weight kg	Version	mm [inch]		
	kW	V	min ⁻¹	A	kW	V	min ⁻¹	A					
01	2.2	Δ230/Y400	IE3	1440	8.2/4.8	2.6	Δ265/Y460 Δ230/Y400	IE3	1735 1705	8.2/4.8 9.0/5.2	24.5	IP55 • ISO F • bimetal	704 [27.7]
02						2.6	YY230/Y460 YY208	IE3	1765 1755	9.3/4.6 9.7	37.0	UL(E365362) • CSA CC334B IP55 • ISO F • bimetal	747 [29.4]
03	2.2	Δ200/Y350	IE3	1470	10.4/6.0	2.6	Δ220/Y380-400 Δ200/Y350	IE3	1760 1755	10.0/5.8-5.8 10.2/5.9	37.0	UL(E365362) • CSA CC334B IP55 • ISO F • bimetal	747 [29.4]
04						2.6	Δ400/Y690	IE3	1760	5.3/3.1	37.0	UL(E365362) • CSA CC334B IP55 • ISO F • bimetal	747 [29.4]
05	3.0	Δ230/Y400	IE3	1445	12.1/7.0	3.6	Δ265/Y460 Δ230/Y400	IE3	1735 1705	12.0/6.9 12.7/7.4	29.0	IP55 • ISO F • bimetal	734 28.9
06	3.0	Δ230/Y400	IE3	1460	12.3/7.1	3.6	Δ265/Y460 Δ230/Y400	IE3	1755 1745	12.0/6.9 12.3/7.1	37.0	UL(E365362) • CSA CC334B IP55 • ISO F • bimetal	747 [29.4]
07						3.6	YY230/Y460 YY208	IE3	1755 1735	12.7/6.3 13.5	37.0	UL(E365362) • CSA CC334B IP55 • ISO F • bimetal	747 [29.4]
08	3.0	Δ200/Y350		1465	14.2/8.2	3.6	Δ220/Y380-400 Δ200/Y350	IE3	1755 1745	13.5/7.8-7.5 13.8/8.0	37.0	UL(E365362) • CSA CC334B IP55 • ISO F • bimetal	747 [29.4]
09						3.6	Δ400/Y690	IE3	1760	7.6/4.4	37.0	UL(E365362) • CSA CC334B IP55 • ISO F • bimetal	747 [29.4]
10	4.0	Δ230/Y400	IE3	1445	15.5/8.9	4.8	Δ265/Y460 Δ230/Y400		1745 1720	14.9/8.6 15.9/9.2	34.0	IP55 • ISO F • bimetal	725 [28.6]
11	4.0	Δ200/Y400	IE3	1465	18.0/9.0	4.5	YY230/Y460 YY208	IE3 IE3	1759 1753	18.4/9.2 18.7	40.0	UL(E235514) • CSA CC329B IP55 • ISO F • bimetal	758 [29.9]
12	4.0	Δ200/Y350	IE3	1467	20.3/11.7	4.5	Δ220/Y380-400 Δ200/Y350	IE3	1760 1753	18.5/10.7-10.2 19.0/11.0	40.0	UL(E235514) • CSA CC329B IP55 • ISO F • bimetal	758 [29.9]
13						4.5	Δ400/Y690	IE3	1763	9.8/5.65	40.0	UL(E235514) • CSA CC329B IP55 • ISO F • bimetal	758 [29.9]
14						4.8	Δ400/Y690	IE3	1775	10.75/6.2	64.5	UL(E365362) • CSA IP55 • ISO F • bimetal	862.5 [34]

▪ Current consumption and rotation speed may vary. Tolerance in each case -1.5/+2%



Reference data (atmosphere): 1000 mbar (100 kPa), 20°C (68°F)
 Tolerance: ±5%
 Air temperature: 5°C ... 45°C (41°F ... 135°F)

VARIANTS AND ACCESSORIES

- **KDT 3.80/0-52** for short-time operation with +2.0 bar¹⁾
- **VARIAIR KDT 3.80/0-400** with frequency inverter¹⁾
- Increased corrosion protection
- External suction filter¹⁾
- Sound proof box SH 13¹⁾



VARIAIR KDT 3.80/0-400



Example for an external suction filter



Sound proof box SH 20

¹⁾ See separate data sheet

- Possible combinations on request



MAKE IT BECKER.