

DATA SHEET

VTLF 2.360

ROTARY VANE VACUUM PUMPS

oil-free

air-cooled

MAKE IT BECKER.

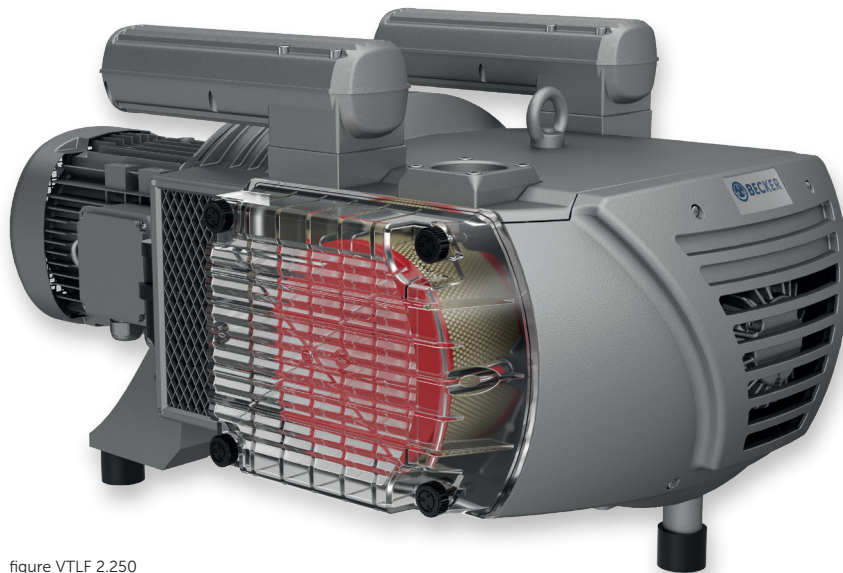
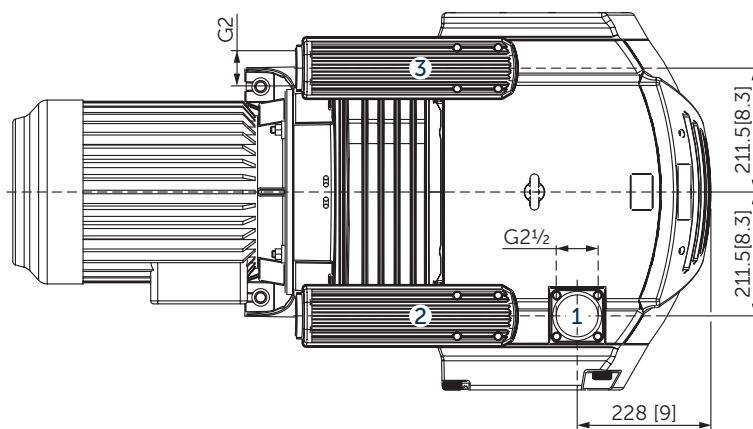
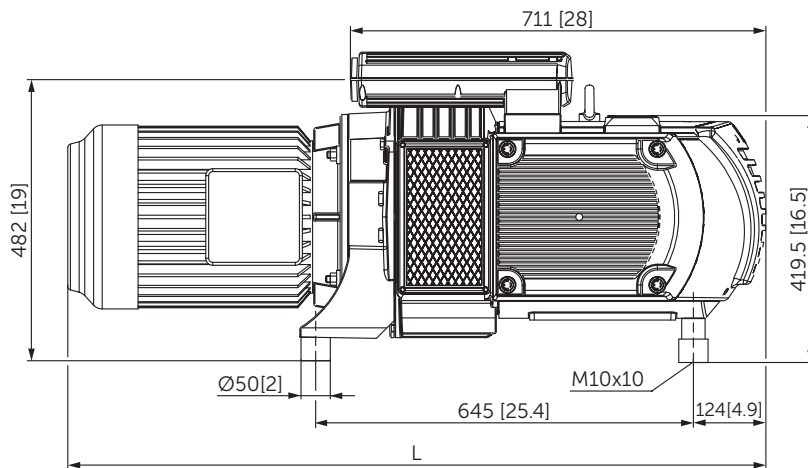
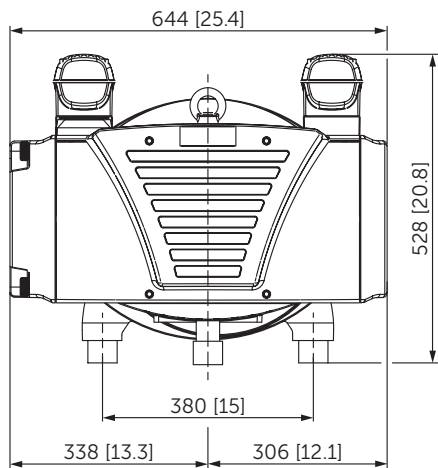


figure VTLF 2.250

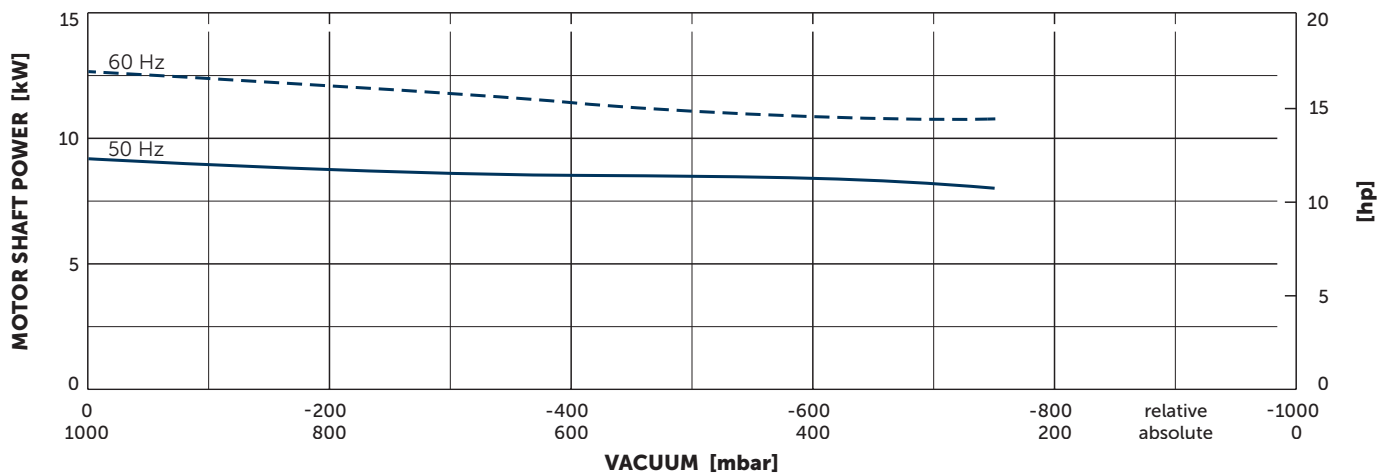
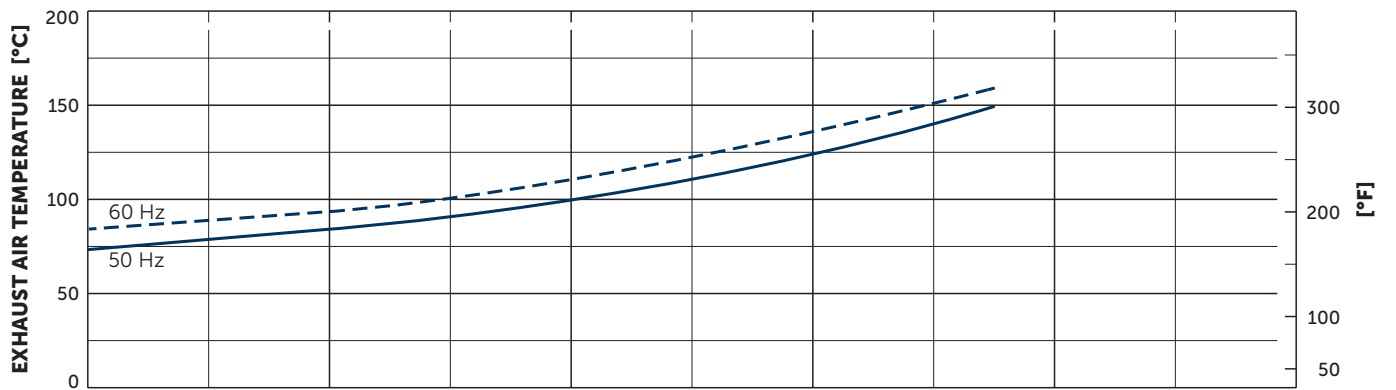
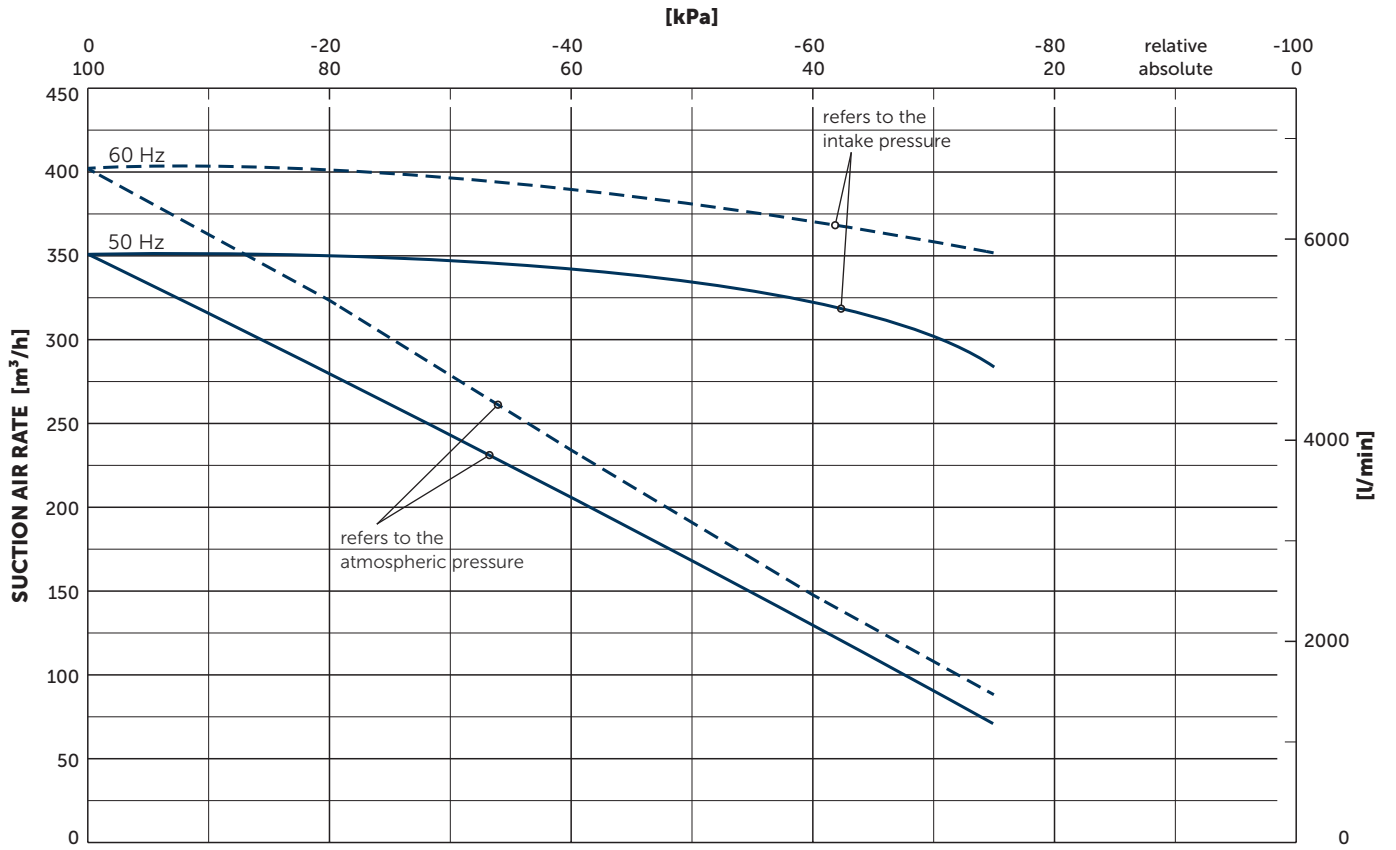


- 1 Vacuum connection (G2½)
- 2 Vacuum relief valve with silencer
- 3 Blow-off valve with silencer
 - Including integrated suction air filter
 - The motor illustration may vary.
 - Dimensions in mm [inch]

Suction air rate		Vacuum absolute		Emission sound pressure level ¹⁾		Weight w/o motor
m ³ /h		mbar		dB(A)		kg
50 Hz	60 Hz	50 Hz	60 Hz	50 Hz	60 Hz	
351	402	250	250	80.5	82.5	151

¹⁾ According to DIN EN ISO 3744 (KpA = 3 dB(A)), 1 m [39.4 inch] distance, at medium load, both connection sides piped

3~ Motors												L	
#	50 Hz					60 Hz					Version	Weight kg	mm [inch]
	kW	V	min ⁻¹	A	kW	V	min ⁻¹	A					
01	11.0	Δ400	IE3	1479	23.9	13.2	Δ460	IE3	1777	23.7	IP55 • ISO F • bimetal	105.5	1174 [46.3]
							Δ400			1768			
02						13.2	YY230/Y460	IE3	1774	46.0/23.0	UL(E235514) • CSA CC329B	112.0	1174 [46.3]
							YY208			1769	48.1		
03	11.0	Δ200/Y350	IE3	1483	59.4/34.4	13.2	Δ220/Y380–400	IE3	1780	52.7/30.4–30.2	IP55 • ISO F • bimetal	107.0	1174 [46.3]
							Δ200/Y350			1775			
04						13.2	Δ400/Y690	IE3	1772	25.6/14.8	UL(E235514) • CSA CC329B IP55 • ISO F • bimetal	102.0	1174 [46.3]



Reference data (atmosphere): 1000 mbar (100 kPa), 20°C (68°F)
 Tolerance: ±5%

VARIAIR AND ACCESSORIES

- **VARIAIR VTLF 2.360/0-400** with frequency inverter¹⁾
- Integrated non return valve
- External suction filter¹⁾
- Sound proof box SH 10¹⁾



VARIAIR VTLF 2.360/0-400



Example for an external suction filter



Sound proof box SH 10

¹⁾ See separate data sheet

- Possible combinations on request



MAKE IT BECKER.