

DATA SHEET

KVT 3.100

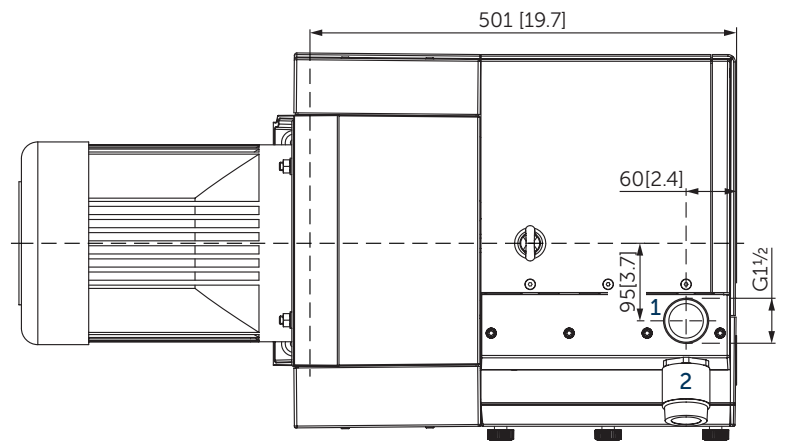
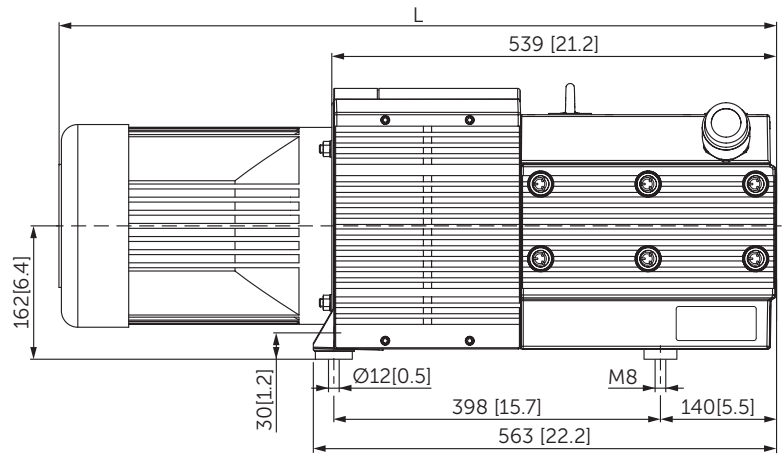
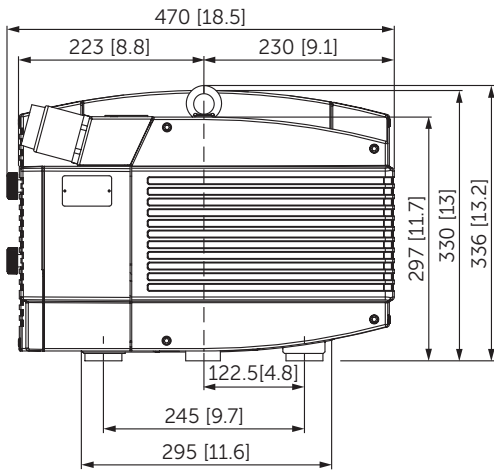
ROTARY VANE VACUUM PUMPS

oil-free

air-cooled

MAKE IT BECKER.



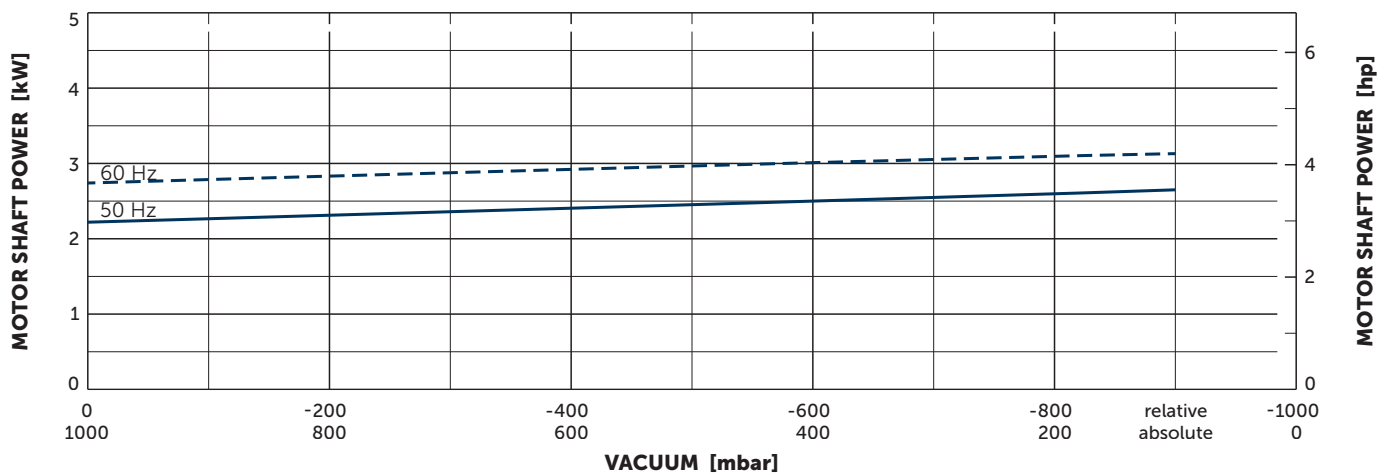
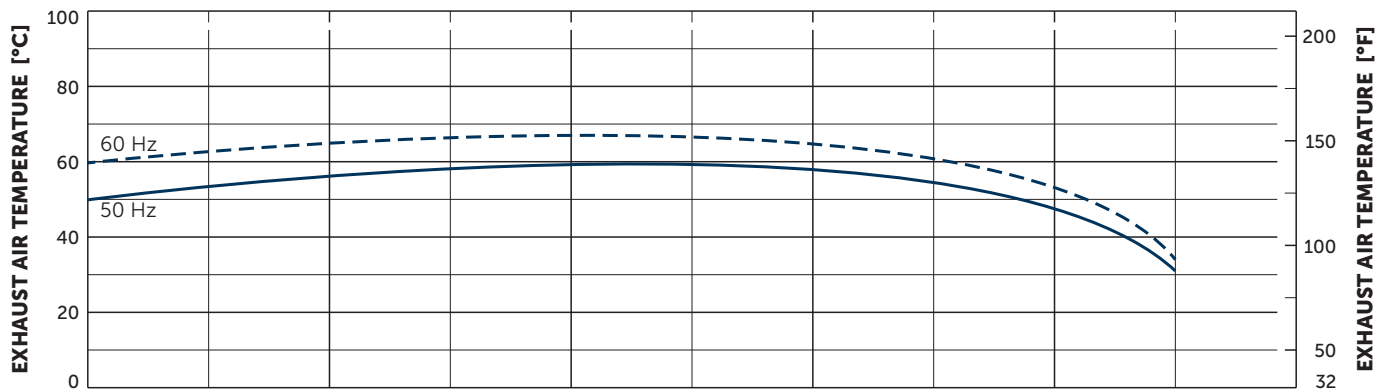
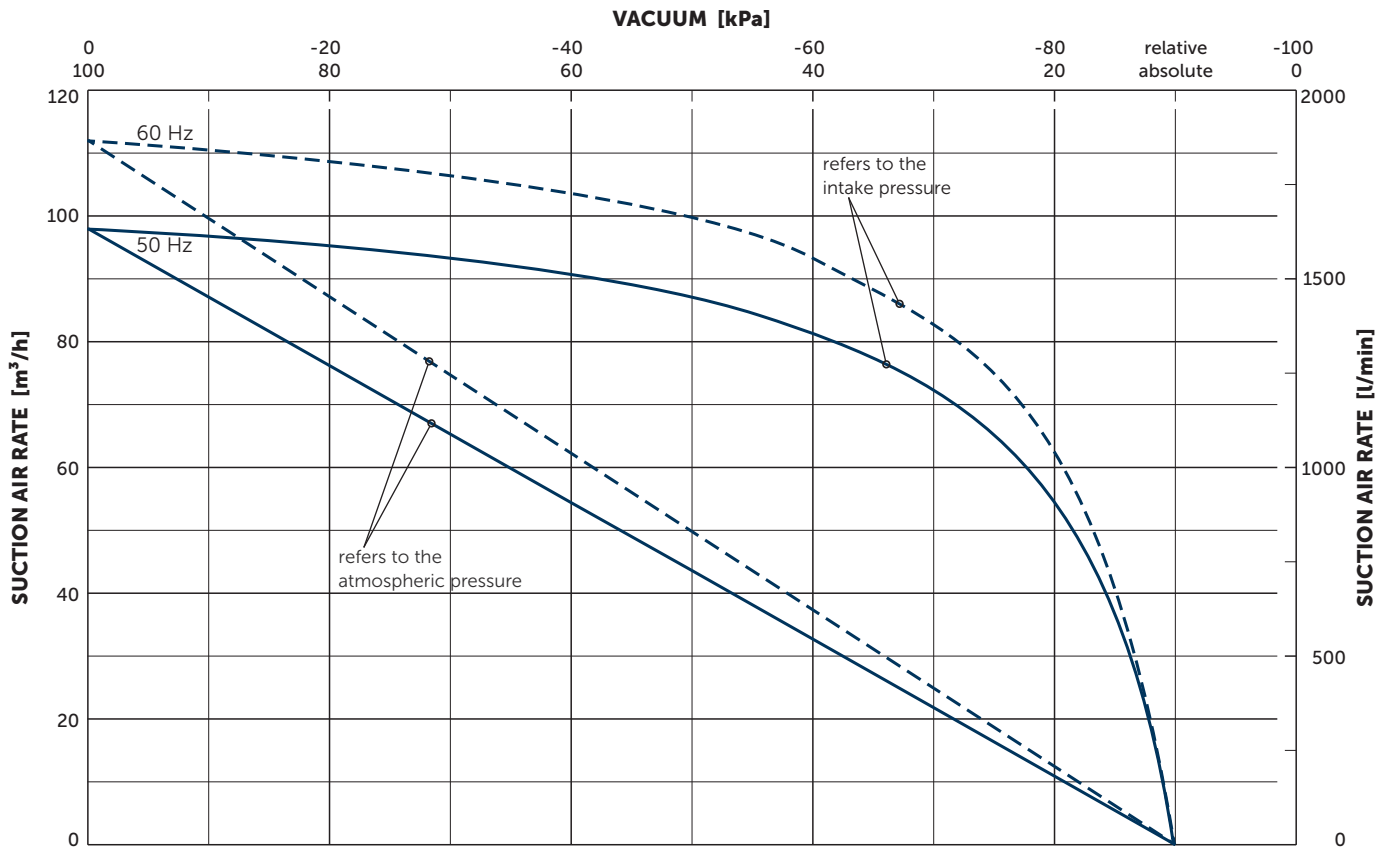


- 1 Vacuum connection (G1½)
- 2 Vacuum regulating valve
- Including integrated suction air filter and blow-off valve
- The motor illustration may vary.
- Dimensions in mm [inch]

Suction air rate		Vacuum absolute		Emission sound pressure level ¹⁾		Weight w/o motor
m ³ /h		mbar		dB(A)		kg
50 Hz	60 Hz	50 Hz	60 Hz	50 Hz	60 Hz	
98	112	100	100	75	77	71

¹⁾ According to DIN EN ISO 3744 (KpA = 3 dB(A)), 1 m [39.4 inch] distance, at medium load, both connection sides piped

3~ Motors												L	
#	50 Hz					60 Hz				Version	Weight kg	mm [inch]	
	kW	V	IE3	min ⁻¹	A	kW	V	min ⁻¹	A				
01	3.0	Δ230/Y400	IE3	1445	12.1/7.0	3.6	Δ265/Y460	IE3	1735	12.0/6.9	IP55 • ISO F • bimetal	29	843 [33.2]
							Δ230/Y400		1705	12.7/7.4			
02	3.0	Δ230/Y400	IE3	1460	12.3/7.1	3.6	Δ265/Y460	IE3	1755	12.0/6.9	UL(E365362) • CSA CC334B IP55 • ISO F • bimetal	37	851 [33.5]
							Δ230/Y400		1745	12.3/7.1			
03						3.6	YY230/Y460	IE3	1755	12.7/6.3	UL(E365362) • CSA CC334B IP55 • ISO F • bimetal	37	851 [33.5]
							YY208		1735	13.5			
04	3.0	Δ200/Y350		1465	14.2/8.2	3.6	Δ220/Y380-400	IE3	1755	13.5/7.8-7.5	UL(E365362) • CSA CC334B IP55 • ISO F • bimetal	37	851 [33.5]
							Δ200/Y350		1745	13.8/8.0			
05						3.6	Δ400	IE3	1760	7.6	UL(E365362) • CSA CC334B IP55 • ISO F • bimetal	37	851 [33.5]



Reference data (atmosphere): 1000 mbar (100 kPa), 20°C (68°F)
Tolerance: ±5%

+ VARIANTS AND ACCESSORIES

KVX 3.100

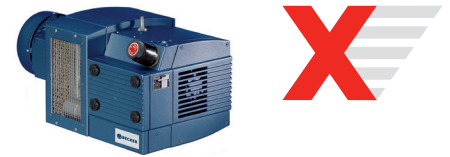
SERIES X: BECKER INNOVATION WITH TOP WARRANTY

Equipped with specially developed vanes, these oil-free rotary vane pumps distinguish themselves by high abrasion resistance, and with that extremely long service lives. Due to the low wear there is also minimal dust, so the series X pumps are perfectly suited for precision processes under clean room conditions.

This innovation branded by Becker is outstanding not only because of its 100 percent oil-free operation, excellent degree of efficiency and low power consumption.

In the area of sensitive vacuum, series X also guarantees precise low-pulsation air conduction.

Becker guarantees for these pumps a vane life-time of 20,000 operating hours or a maximum of 3 years. The enhanced longevity of X series pumps also extends service life intervals, and can cut out the need for frequent service visits with costly pump failures now no longer an issue.

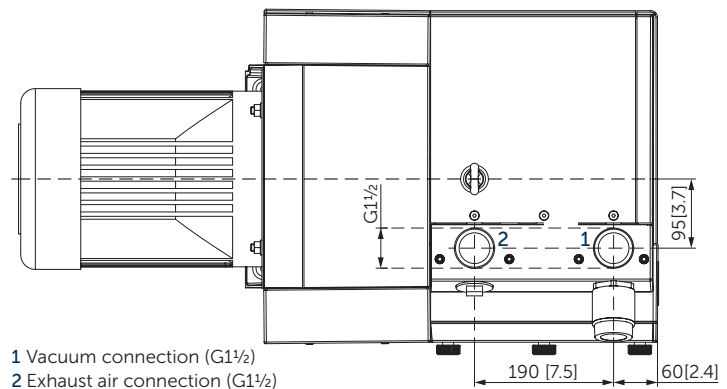


ADVANTAGES

- Quick, clean and quiet
- Oil-free
- Wear resistant
- Energy saving
- Long-life reliability

OTHER VARIANTS AND ACCESSORIES

- **KVT 3.100/0-54** with exhaust connection
- **VARIAIR KVT 3.100/0-400** with frequency inverter¹⁾
- Increased corrosion protection
- External suction filter¹⁾
- Sound proof box SH 13¹⁾



Example for an external suction filter



Sound proof box SH 13

¹⁾ See separate data sheet
• Possible combinations on request



MAKE IT BECKER.