

DATA SHEET

VX 4.40

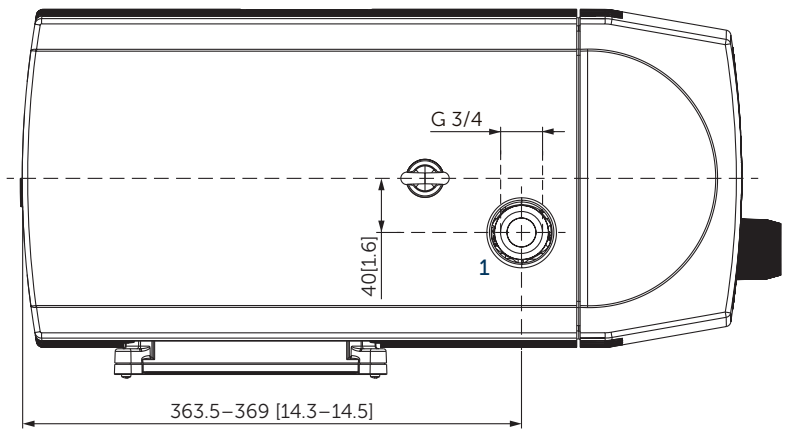
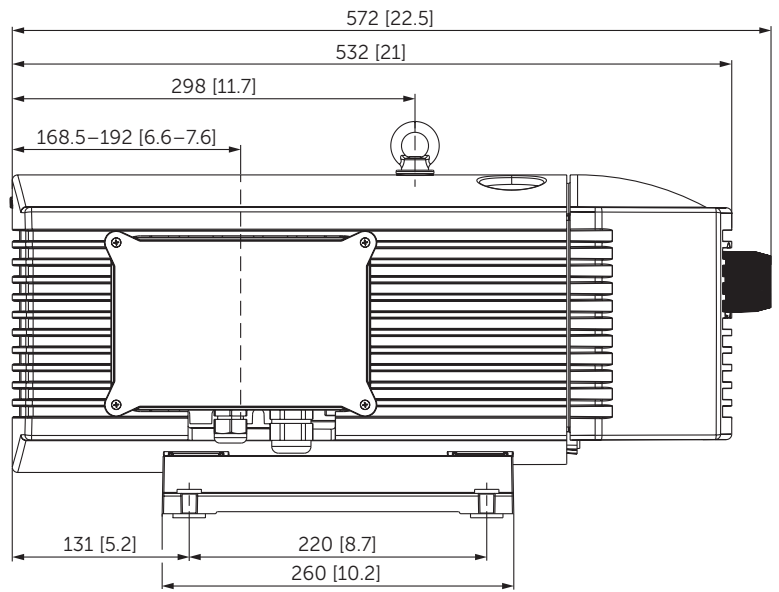
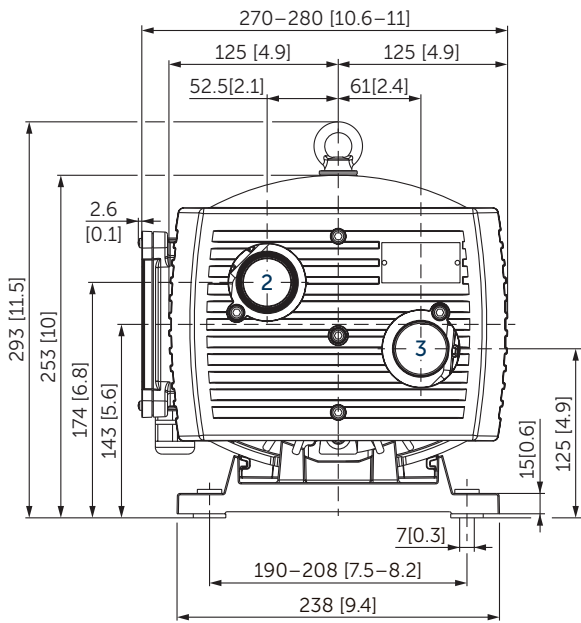
ROTARY VANE VACUUM PUMPS

oil-free

air-cooled

MAKE IT BECKER.





- 1 Vacuum connection (G³/₄)
- 2 Vacuum regulating valve
- 3 Blow-off valve
- Including integrated suction air filter
- The illustration of the terminal box may vary.
- Dimensions in mm [inch]

Suction air rate		Vacuum absolute		Emission sound pressure level ¹⁾		Weight with motor
m ³ /h		mbar		dB(A)		kg
50 Hz	60 Hz	50 Hz	60 Hz	50 Hz	60 Hz	
40	48	150	150	67	72	≈38-41 ²⁾

¹⁾ According to DIN EN ISO 3744 (KpA = 3 dB(A)), 1 m [39.4 inch] distance, at medium load, both connection sides piped

²⁾ Depending on the motor

3~ Motors											
#	50 Hz					60 Hz					Version
	kW	V	min ⁻¹	A		kW	V	min ⁻¹	A		
01	1.3	Y400	IE3	1435	3.1	1.5	YY230/Y460	IE3	1735	5.8/2.9	UL (E113150) • CC046A IP55 • ISO F PTO bimetal 150°C
							YY208	IE3	1720	6.5	
							Y400	–	1715	3.3	
02	1.3	Δ200/Y350	IE3	1435	6.4/3.7	1.5	Δ220/Y380–400	IE3	1735	6.1/3.5	UL (E113150) • CSA IP55 • ISO F PTO bimetal 150°C
							Δ200/Y350	–	1720	6.4/3.7	
03	1.25	190–255/ 330–440	–	1430	5.2–6.2/ 3.0–3.6	1.5	190–290/ 330–500	–	1680	6.9–5.7/ 4.0–3.3	IP54 • ISO F bimetal 150°C

1~ Motor ¹⁾										
#	50 Hz				60 Hz				Version	
	kW	V	min ⁻¹	A	kW	V	min ⁻¹	A		
01	1.1	230 ±10%	1350	7.6	1.1	230 ±10%	1620	7.3	IP54 • ISO F • bimetal 150°C 30 μF (400 V)	

¹⁾ Note reduced power of the 1~ motor!

- Current consumption and rotation speed may vary. Tolerance in each case -1.5/+2%

SERIES X: BECKER INNOVATION WITH TOP WARRANTY

Equipped with specially developed vanes, these oil-free rotary vane pumps distinguish themselves by high abrasion resistance, and with that extremely long service lives. Due to the low wear there is also minimal dust, so the series X pumps are perfectly suited for precision processes under clean room conditions.

This innovation branded by Becker is outstanding not only because of its 100 percent oil-free operation, excellent degree of efficiency and low power consumption.

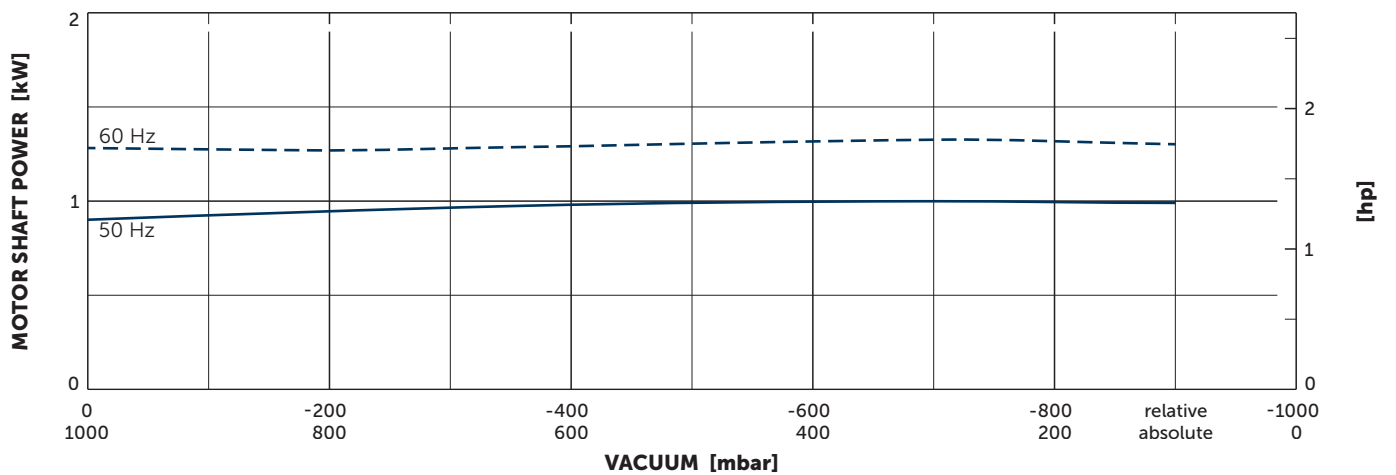
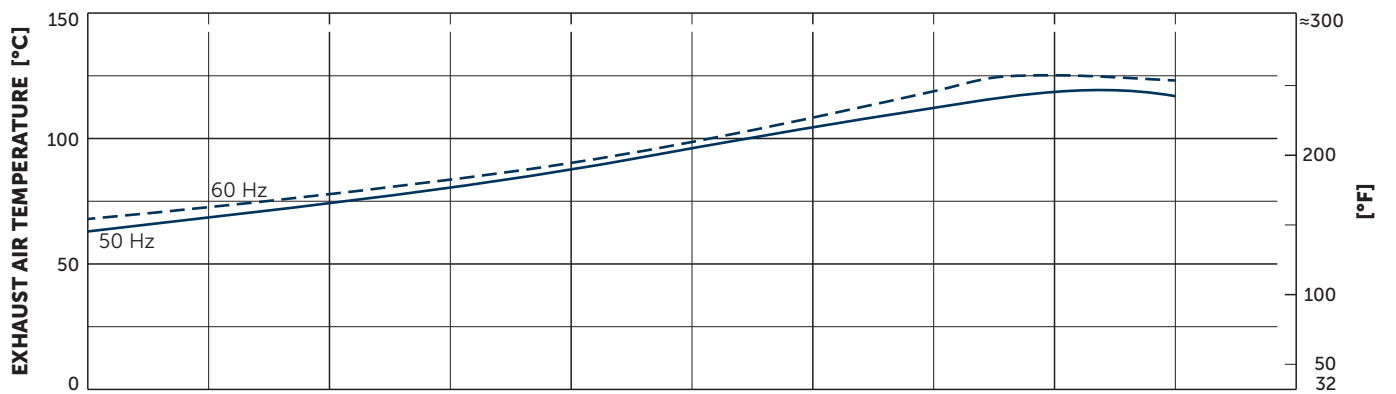
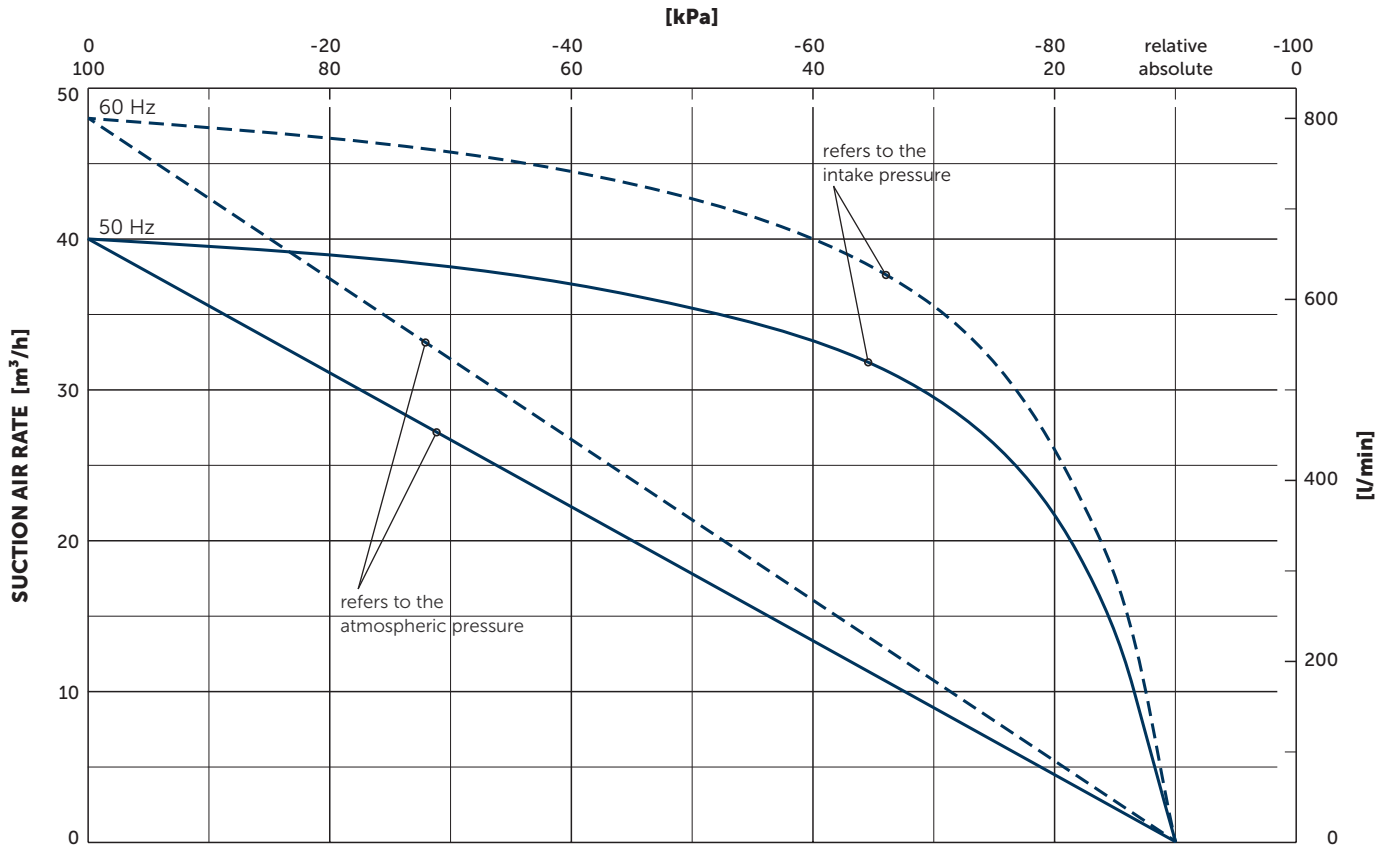
In the area of sensitive vacuum, series X also guarantees precise low-pulsation air conduction.

Becker guarantees for these pumps a vane life-time of 20,000 operating hours or a maximum of 3 years. The enhanced longevity of X series pumps also extends service life intervals, and can cut out the need for frequent service visits with costly pump failures now no longer an issue.



ADVANTAGES

- Quick, clean and quiet
- Oil-free
- Wear resistant
- Energy saving
- Long-life reliability



Reference data (atmosphere): 1000 mbar (100 kPa), 20°C (68°F)
 Tolerance: ±5%
 Air temperature: 5°C ... 45°C (41°F ... 135°F)

+ VARIANTS AND ACCESSORIES

OTHER VARIANTS AND ACCESSORIES

- With external suction filter¹⁾
- Sound proof box SH 19¹⁾



Example for an external suction filter



Sound proof box SH 19

¹⁾ See separate data sheet

- Possible combinations on request



MAKE IT BECKER.