

BETRIEBSANLEITUNG
OPERATING INSTRUCTIONS
INSTRUCCIONES DE SERVICE
ISTRUZIONI D'USO
HANDLEIDING
INSTRUCCIONES PARA EL MANEJO
MANUAL DE INSTRUÇÕES
NAUDOJIMOSI INSTRUKCIJA
KASUTUSJUHEND
LIETOŠANAS INSTRUKCIJA
DRIFTSINSTRUKS
DRIFTSINSTRUKTIONER
DRIFTSVEJLEDNING
INSTRUKCJA OBSŁUGI


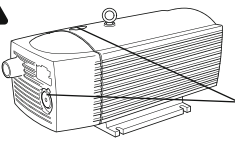








KEZELÉSI ÚTMUTATÓ
NÁVOD K OBSLUZE
NAVODILO ZA UPORABO
NÁVOD NA OBSLUHU
UPUTE ZA RAD
MANUAL DE OPERATII
TREORACHA OIBRIÚCHÁIN
ΟΔΗΓΙΕΣ ΧΡΗΣΗΣ
EL KITABI
ИНСТРУКЦИИ ЗА ЕКСПЛОАТАЦИЯ
ИНСТРУКЦИЯ ПО ЕКСПЛУАТАЦИИ
取扱説明書
사용설명서
使用说明书

VX 4.25


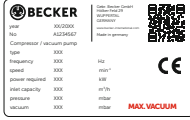


MAKE IT BECKER.



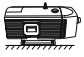

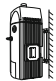
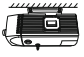




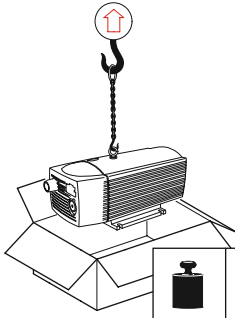
 **BECKER**



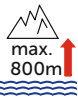
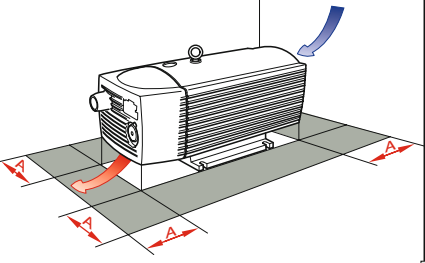
1

 <p>MAX. VACUUM</p>	 <p>mbar</p>
 <p>MAX. V</p>	 <p>m³/h</p>
<p>L_{pA})))</p> <p>DIN EN ISO 11203 Accuracy Class 2 K_{pA} = 3 dB(A) l ← 1m</p>	<p>L_{pA} = 62 dB(A) - 50Hz L_{pA} = 67 dB(A) - 60Hz</p>

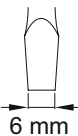
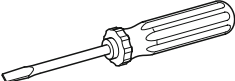
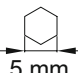
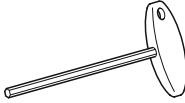
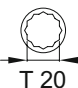
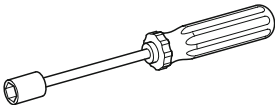
2

			
			
			
			<p>26 kg 57 lbs</p>

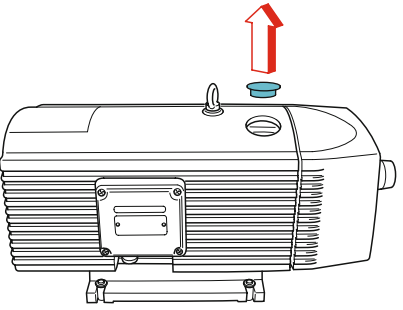
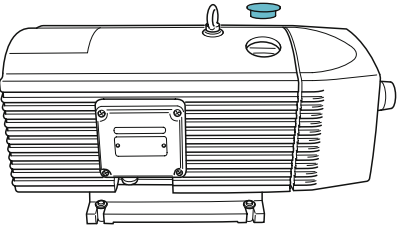
3

<p>A > 100mm A > 4"</p>	 <p>> 5°C/41°F < 45°C/113°F</p>	 <p>max. 90%</p>	 <p>max. 800m ↑</p>
			

4

 <p>6 mm</p>	
 <p>5 mm</p>	
 <p>T 20</p>	

5

6

MOTOR-PROTECTION =

(CF 1,XX)	
50Hz	60Hz
XXX / 2000 V	XXX / 2000 V
(XX / 00,1)	(XX / 00,2)

SERVICE FACTOR X RATED CURRENT

7

8

3 ph

ON (1) - **MAX 10x/h**

OFF (0) -

9

10

0 2 10 [m]




VACUUM

11




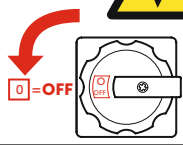



MAX. -0,9 bar
-26,6 in.HG

12


Maintenance

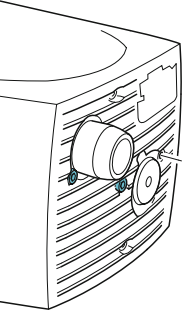
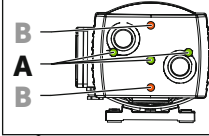
13

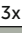








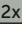

n=0min⁻¹





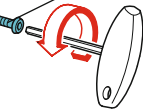
14

3x  **A** **6.2Nm**

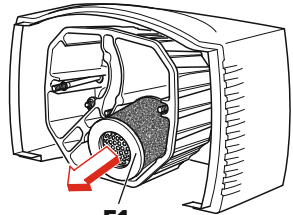
2x   **2Nm**

B  **A**  **B**



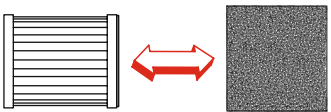
15

1.



F1

2.



16



CLEANING INTERVAL

40h

200h



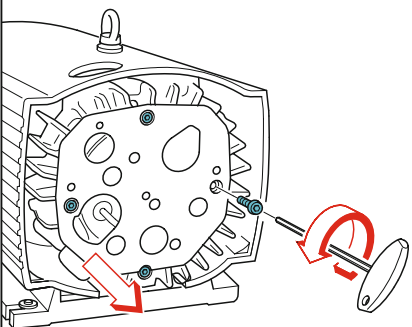


EN149 - FFP3
42 CFR 84 - N100



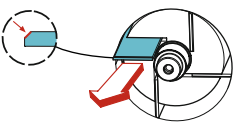
F1: D: 64 mm
H: 70 mm
No.: 90950501000

17






18

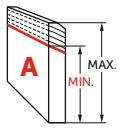
7500 h

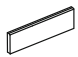


$A_{MAX} = 41\text{mm}$
 $A_{MIN} = 28\text{mm}$

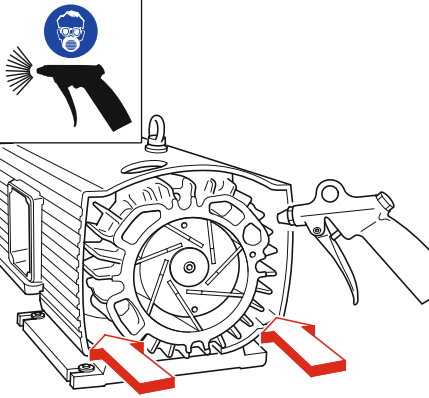
$A_{T-} < 28\text{mm}$ 




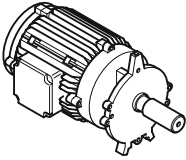
 → No. 9014100007 (SET)


19



20







 Regulation EU 2019/1781

This pump falls under an exemption from EU 2019/1781 as the motor and the pump have common parts.

21









www.becker-international.com

22



WWW.BECKER-INTERNATIONAL-SHOP.COM

Gebr. Becker GmbH
 Hölker Feld 29-31
 42279 WUPPERTAL
 GERMANY
info@becker-international.com
www.becker-international.com

 **BECKER**



MAKE IT BECKER.

28100050302 | 2022-03-02 | All rights reserved