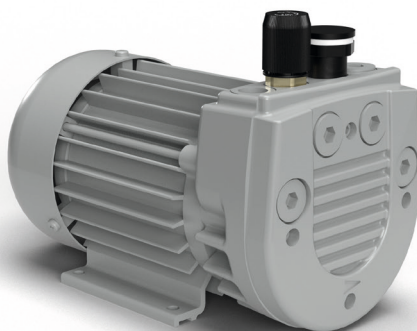



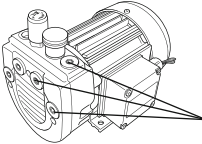


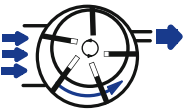




BETRIEBSANLEITUNG  
OPERATING INSTRUCTIONS  
INSTRUCTIONS DE SERVICE  
ISTRUZIONI D'USO  
HANDLEIDING  
INSTRUCCIONES PARA EL MANEJO  
MANUAL DE INSTRUÇÕES  
NAUDOJIMOSI INSTRUKCIJA  
KASUTUSJUHEND  
LIETOŠANAS INSTRUKCIJA  
DRIFTSINSTRUKS  
DRIFTSINSTRUKTIONER  
DRIFTSVEJLEDNING  
INSTRUKCJA OBSŁUGI

KEZELÉSI ÚTMUTATÓ  
NÁVOD K OBSLUZE  
NAVODILO ZA UPORABO  
NÁVOD NA OBSLUHU  
UPUTE ZA RAD  
MANUAL DE OPERATII  
TREORACHA OIBRIÚCHÁIN  
ΟΔΗΓΙΕΣ ΧΡΗΣΗΣ  
EL KITABI  
ИНСТРУКЦИИ ЗА ЕКСПЛОАТАЦИЯ  
ИНСТРУКЦИЯ ПО ЕКСПЛОАТАЦИИ  
取扱説明書  
사용설명서  
使用说明书




## VT 4.2

**MAKE IT BECKER.**



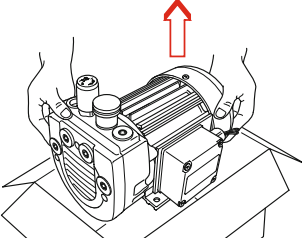



 	
	
 <p><input checked="" type="checkbox"/> <b>AIR</b></p>	 
	 



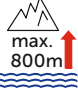
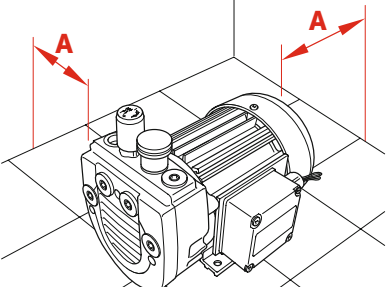
1

<p><b>MAX. VACUUM</b></p>  <p><b>MAX.</b></p>	 <p><b>MAX. VACUUM</b> mbar</p>
	 <p><b>MAX. V</b> m<sup>3</sup>/h</p>
<p><b>L<sub>pA</sub></b> )))</p> <p>DIN EN ISO 11203 Accuracy Class 2 K<sub>son</sub> = 3 dB(A) l=1m</p>	<p>L<sub>pA</sub> = 56 dB(A) - 50Hz L<sub>pA</sub> = 58 dB(A) - 60Hz</p>

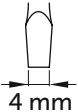


2

	
	
	<p><b>7 kg</b> <b>15,4 lbs</b></p>

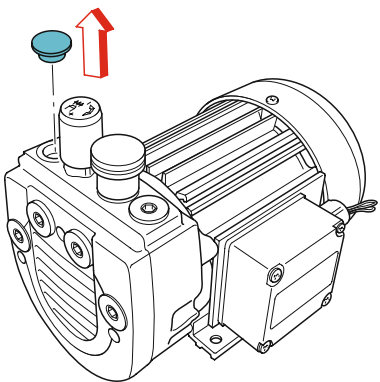
3

<p>A &gt; 100mm A &gt; 4"</p>	 <p>&gt; 5°C/41°F &lt; 45°C/113°F</p>	 <p>max. 90%</p>	 <p>max. 800m</p>
			

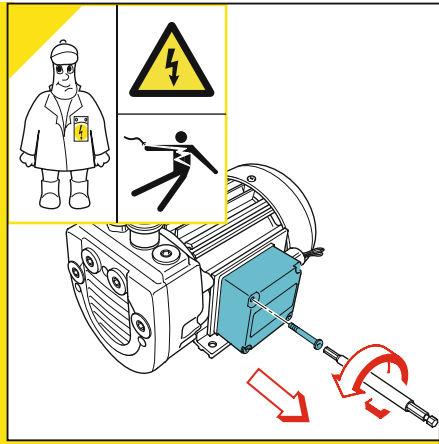
4

 <p>4 mm</p>	 <p>6 mm</p>
 <p>T20</p>	

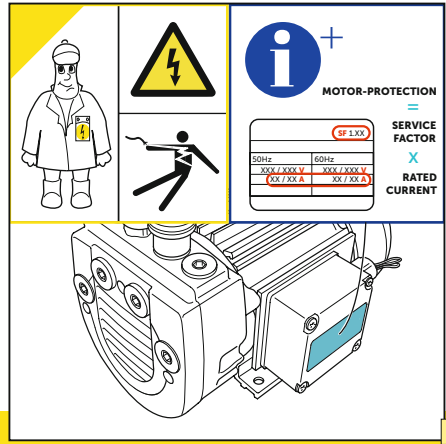
5



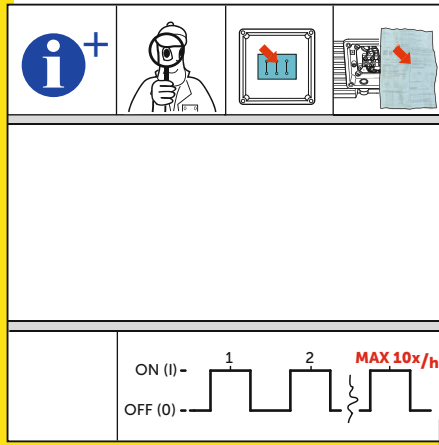
6



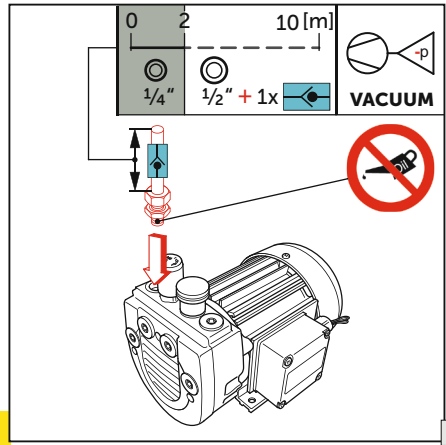
7



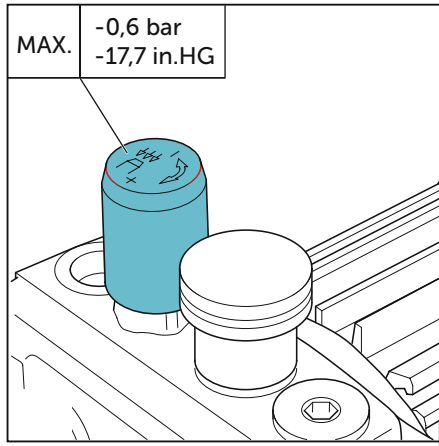
8



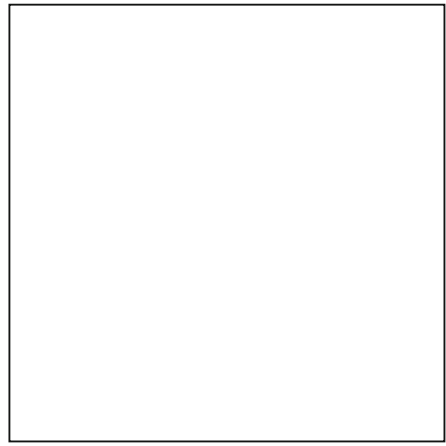
9



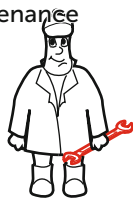


10






11





**Maintenance**

12






0 = OFF

**n=0min<sup>-1</sup>**

2-3 Min



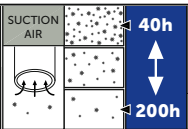
13

**CLEANING INTERVAL**


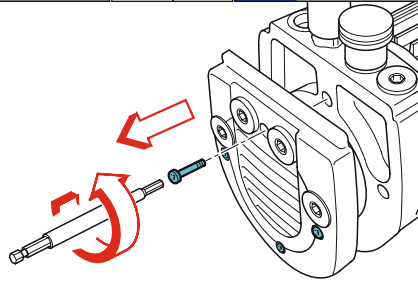
SUCTION AIR

40h

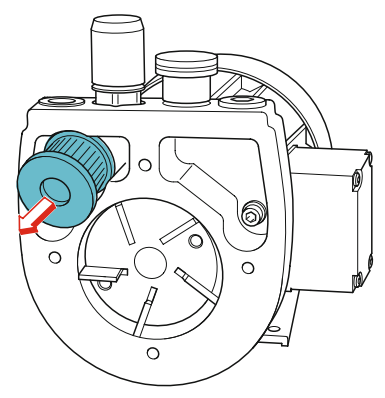
200h





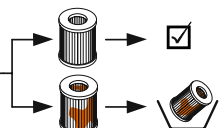
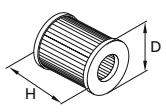
EN149 - FFP3  
42 CFR 84 - N100

14



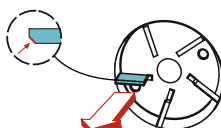
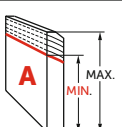
15


D: 25 mm  
H: 24 mm  
No.: 90958000000

16

**3000 h**

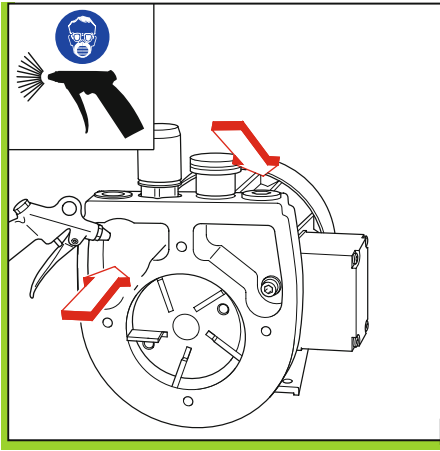



$A_{MAX} = 16\text{mm}$   
 $A_{MIN} = 11\text{mm}$

$A_{TYP} < 11\text{mm}$  → 

→ No. 90138700005 (SET)

17



18



19



[WWW.BECKER-INTERNATIONAL-SHOP.COM](http://WWW.BECKER-INTERNATIONAL-SHOP.COM)

Gebr. Becker GmbH  
Hoelker Feld 29-31  
42279 WUPPERTAL  
GERMANY  
[info@becker-international.com](mailto:info@becker-international.com)  
[www.becker-international.com](http://www.becker-international.com)





2810.0027142 | 2021-11-12 | All rights reserved

**MAKE IT BECKER.**